



## 1" Round Wall Wash



### Features

The FINCH family of recessed downlights with a 1" aperture, features exceptional output, and a broad range of configurations to provide discreet quality illumination while integrating into the architecture. It is available in fixed, adjustable (30° tilt) and wall wash. Round or square, trimmed, trimless or millwork and is serviceable from below.

The FINCH recessed wall wash can be coupled with the surface cylinder to create a broader composition and a unique design.

### Product Overview

Type:	Recessed Round Wall Wash
Wattage:	6W, 8W, 10W, 12W
Color Temp:	2400K, 2700K, 3000K, 3500K, 4000K
ORI:	80+ & 90+ typ.
Dimming:	0-10V, DALI, TRIAC/ELV, Hilume

### PROJECT:

### TYPE:

### Performance Data

Watts	Lumens	LPW	CCT	ORI
6	363	62.6	3000K	80+
8	448	54.6	3000K	80+
10	532	51.6	3000K	80+
12	605	47.4	3000K	80+

*Data is based on 120V, 3000K, 80+ IES files available on website.*

### Electrical Data

	6W		8W		10W		12W	
	Watts	Amps	Watts	Amps	Watts	Amps	Watts	Amps
120V	5.8	0.05	8.2	0.06	10.3	0.08	12.7	0.10
277V	6.2	0.03	8.5	0.04	10.4	0.04	12.6	0.05

*Electronic constant current LED driver.*

*Data is based on tests using ELV/TRIAC (LE/TE) driver.*



**PROJECT:**

**TYPE:**

**1" Recessed Round Wall Wash Housing/Frame Ordering Information**

FIN-RW		
1	2	3
<b>1 Model</b>	<b>2 Style</b>	<b>3 Options/Accessories</b>
<b>New Construction</b> <b>FIN-RW-NC</b> (non-IC) <b>FIN-RW-CP</b> (Chicago Plenum (CCEA), 10W max) <b>FIN-RW-IC</b> (Insulated Ceiling/air tight, 10W max)	<b>T</b> trimmed <b>TL</b> trimless <b>MWK</b> millwork	<b>HB49</b> hanger bars from min 29" to max 49"

**1" Recessed Round Wall Wash Trim Ordering Information**

FIN-RW			
1	2	3	4
<b>1 Model</b>	<b>2 Style</b>	<b>3 Finish</b>	<b>4 Color Temp and CRI</b>
<b>FIN-RW</b> wall wash	<b>T</b> trimmed <b>TL</b> trimless <b>MWK</b> millwork	<b>MB</b> matte black <b>MW</b> matte white <b>SLV</b> matte silver	<b>30</b> 3000K, 80+ <b>35</b> 3500K, 80+ <b>40</b> 4000K, 80+ <b>249</b> 2400K, 90+ <b>279</b> 2700K, 90+ <b>309</b> 3000K, 90+ <b>359</b> 3500K, 90+ <b>409</b> 4000K, 90+

**Remote Driver Ordering Information**

Amerlux offers a mounting plate for each remote driver for mounting in enclosure by others, or a single remote box for one driver (RBX), or a single remote box for two drivers (RBX2). Electrical Contractor (EC) is responsible for adherence to all local codes.

FINPW			
1	2	3	4
<b>1 Model</b>	<b>2 Wattage</b>	<b>3 Drivers</b>	<b>4 Driver Enclosure Options</b>
<b>FINPW</b>	<b>6</b> 6W (363 lm) <b>8</b> 8W (448 lm) <b>10</b> 10W (532 lm) <b>12</b> 12W (605 lm)	<b>0-10V</b> 0-10V dimming, 1%, 120/277VAC <b>DALI</b> DALI dimming, 1%, 120/277VAC <b>LE/TE</b> TRIAC/ELV dimming, 5%, 120/277VAC <b>HILUME-H-ECO</b> Lutron LDE1 Hi-lume® 1% Soft-On/Fade-to-Black, 120/277VAC (for use with 10W & 12W only)	<b>MP</b> mounting plate (standard) <b>RBX</b> remote box (1 driver) <b>RBX2</b> remote box (2 drivers)

**PROJECT:**

**TYPE:**

**Specifications**

**Construction**

- Galvanized steel frame
- Galvanized steel splice housing and hanger brackets (not for Remodeler version)
- Screwless plaster frame with perforated face for easier installation (for trimless version only)
- Aluminum heatsink
- Die-cast aluminum trim

**Optical**

Engineered nano technology lens provides high transmission while concealing LED image

**LED**

- Color Temp: 2400K, 2700K, 3000K, 3500K, 4000K
- CRI: 80+ typ (3000K, 3500K, 4000K)  
90+ typ. (2400K, 2700K, 3000K, 3500K, 4000K)
- R9 Values: 11 (83 CRI); 55 (92 CRI)
- Binning: 3 MacAdam (SDCM)
- Life: 50,000+ hrs, > 70% of initial lumens at 50,000 hrs

**Electrical**

- Wattage: 6W, 8W, 10W, 12W
- Electronic constant current LED driver, 120/277VAC input

**Finish**

- Powder coat paint/wet paint
- Consult factory for custom finishes*

**Mounting**

- 26" Hanger bars included
- Optional **HB49** - hanger bars from min 29" to max 49" available

**Trimmed Fixture:**

For use in grid or sheetrock ceilings, 1" max ceiling thickness.

**Trimless Fixture (not available with Shower trim):**

For use in sheetrock ceilings, 1" max ceiling thickness.

**Millwork Fixture:**

Millwork extension collars are based on ceiling material specifications and thickness. Provides flush trim appearance level with ceiling material. 1" max ceiling thickness.

**Certifications**

- CSA tested to UL standards
- Indoor use only
- IC/AT rated (optional)
- Damp location

**Warranty**

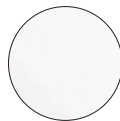
- 5 year limited warranty

**Finish Options**

Powder coat paint.  
Consult factory for custom finishes.



Matte Black



Matte White



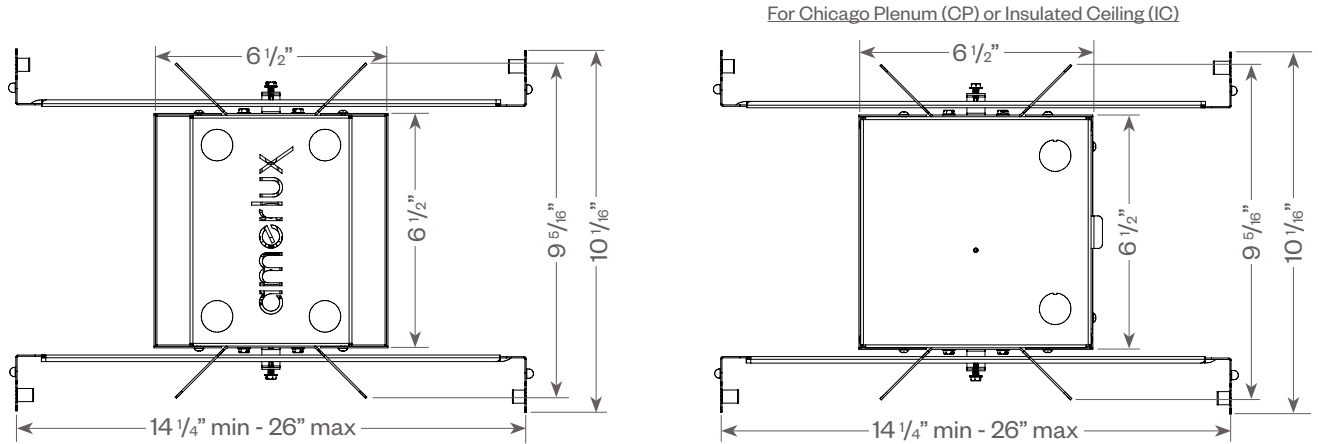
Matte Silver

PROJECT:

TYPE:

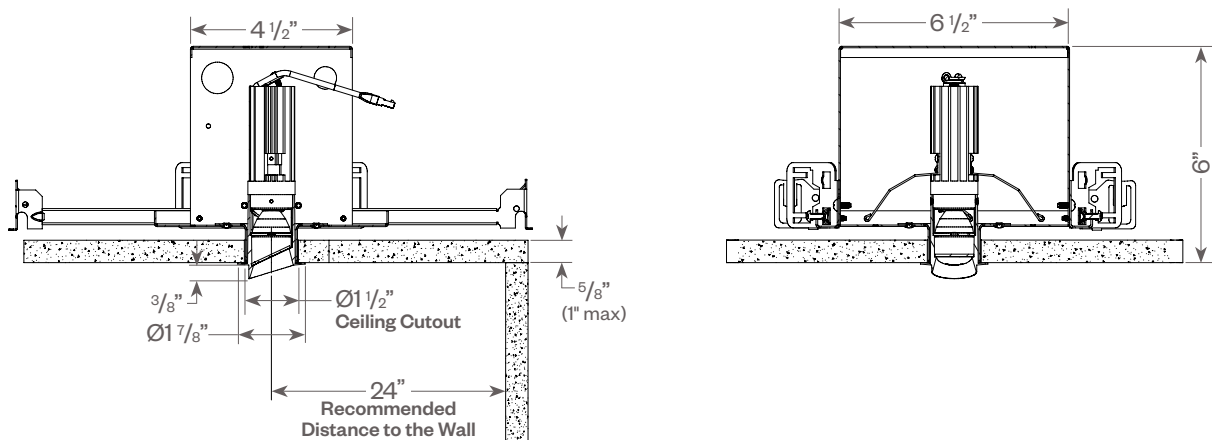
**Product Details**

Housing/Frame

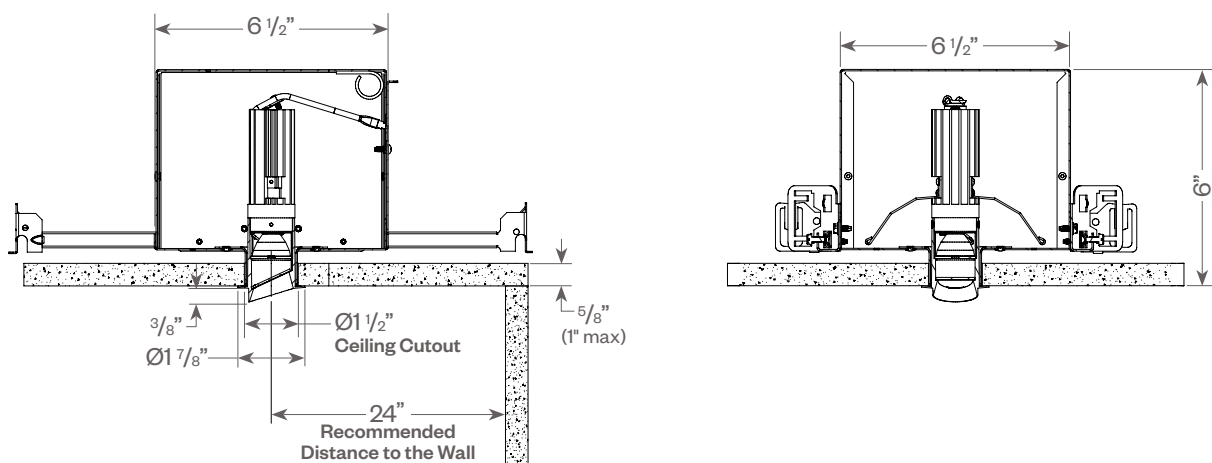


Trimmed

FIN-RW-N.C.T



FIN-RW-CP/IC.T



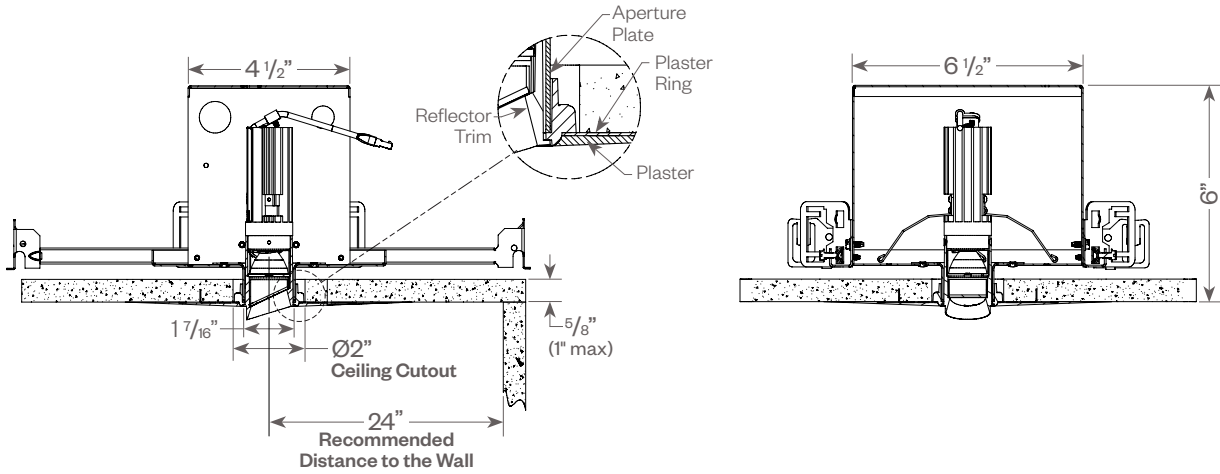
PROJECT:

TYPE:

**Product Details (continued)**

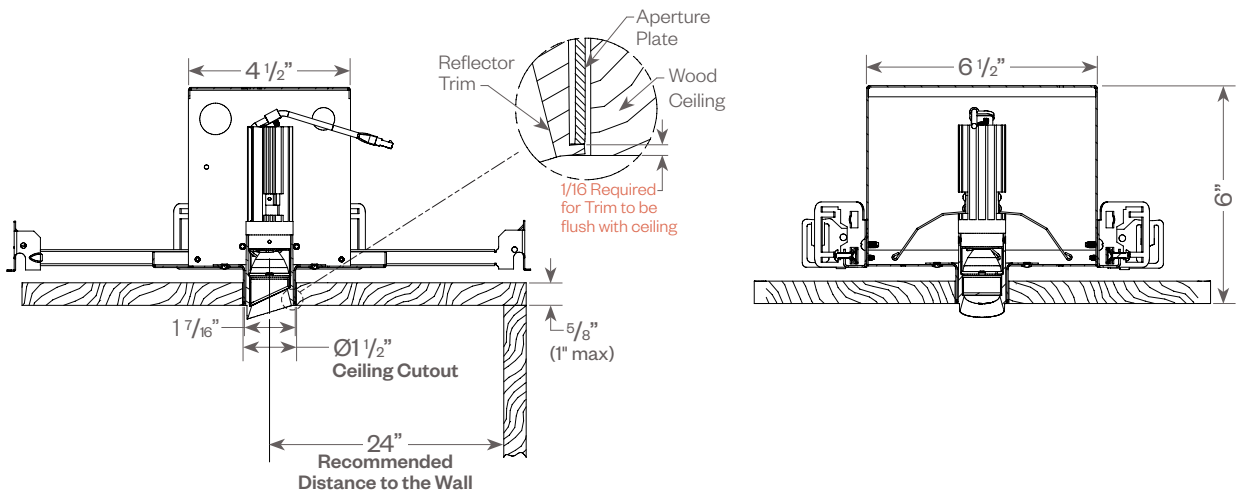
Trimless

FIN-RW-NC.TL



Millwork

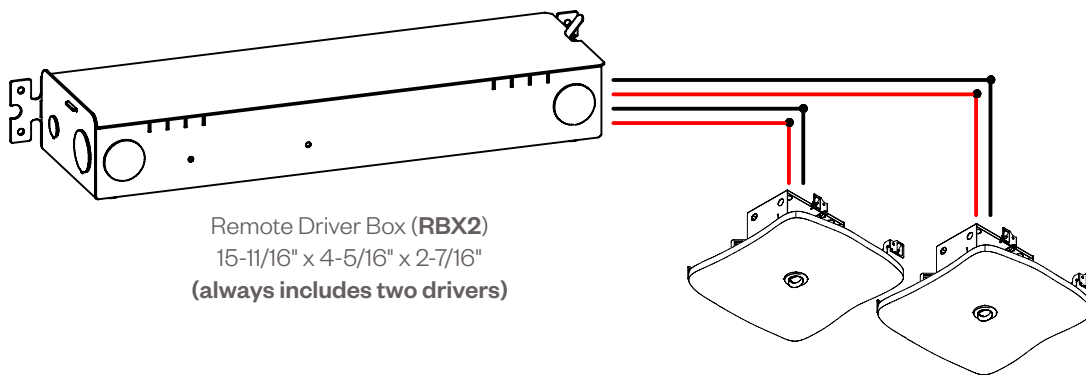
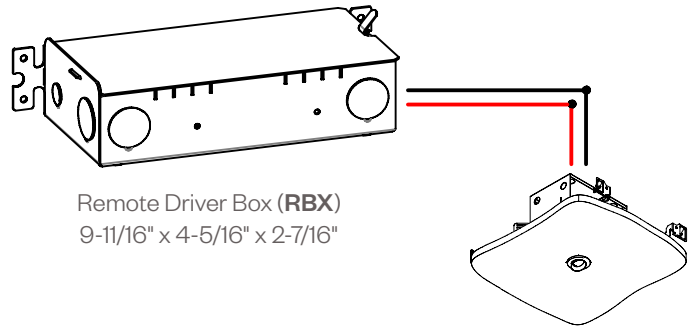
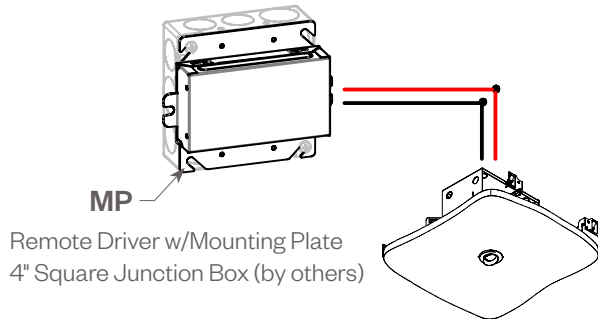
FIN-RW-NC.MWK



**PROJECT:**

**TYPE:**

**Enclosure Options for Remote Driver**



*Note: Maximum remote wiring distance is 100 linear feet of 18 AWG wire and 50 linear feet of 22 AWG wire.*

**PROJECT:**

**TYPE:**

**Performance Data**

**Multiplying Factors:**

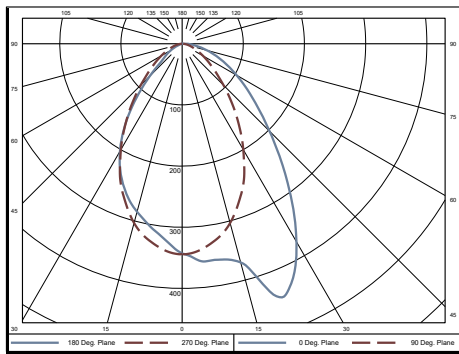
Wattage:	6W	8W	10W	12W
Factor:	0.60	0.74	0.88	1.0

CCT:	3000K, 80+	3500K, 80+	4000K, 80+	2400K, 90+	2700K, 90+	3000K, 90+	3500K, 90+	4000K, 90+
Factor:	1.0	1.04	1.06	0.76	0.83	0.88	0.92	0.93

Multiplying Factor is based on 3000K, 80+ 120V IES file on website.

**12W, 3000K, 80+**

LTL# 15016743.10



**ZONAL LUMEN SUMMARY**

Zone	Lumens	%Fixt
0-40	380	62.8
0-60	542	89.6
0-90	605	100.0
90-180	0	0.00

Luminaire Efficacy: 47.4 lm/W

**Application Data**

**Application Data:**

**Footcandles on Wall**

Footcandles are average and rounded off.  
Data for multiple units are based on a minimum of five units.

**1.5 Feet from Wall**

		← 1.5' →				← 1.5' →				← 1.5' →				← 1.5' →																																																		
Distance from ceiling	0.5'	12	25	29	30	31	30	29	25	13	22	41	50	52	53	52	50	41	23	21	35	43	47	47	46	44	35	21	15	23	28	31	32	31	29	24	15	10	14	17	19	19	19	17	14	10	7	9	11	12	12	12	11	9	7	5	7	8	8	9	8	8	7	6

**1.5 Feet from Wall**

		← 2' →				← 2' →				← 2' →				← 2' →																																																																																	
Distance from ceiling	0.5'	11	22	22	24	22	24	22	24	22	24	22	24	22	24	22	24	13	20	35	38	41	40	41	39	41	38	35	21	19	30	34	36	36	37	36	36	34	30	19	13	19	22	24	25	25	25	24	23	19	14	9	12	14	15	16	16	16	15	14	12	9	6	8	9	10	10	10	10	10	9	8	6	5	6	6	7	7	7	7	7	7	6	5	4	4	5	5	6	6	6	6	5	5	4

**2 Feet from Wall**

		← 2' →				← 2' →				← 2' →				← 2' →																																																																													
Distance from ceiling	0.5'	8	12	13	14	14	15	14	14	14	14	14	12	8	15	23	26	28	28	28	28	28	26	23	15	16	24	28	30	31	31	31	31	29	24	17	14	19	23	25	26	26	26	25	23	20	14	11	14	17	18	19	19	19	18	17	14	11	8	10	12	13	13	14	13	13	12	10	8	6	7	8	9	9	10	10	9	8	7	6	5	5	6	7	7	7	7	7	6	5	5

**PROJECT:**

**TYPE:**

**Dimming Compatibility**

Amerlux® Finch fixtures are compatible with all major dimming protocols prevalent in the United States. Please see below for general compatibilities and wiring diagrams. Amerlux recommends testing your unique dimming configuration as the exact full configuration (Dimmer, Fixture Quantity, Voltage, etc) may affect dimming performance.

**--- NOTE: INFORMATION BELOW IS FOR WIRED DIMMERS ONLY. FOR WIRELESS DIMMERS, CONSULT FACTORY ---**

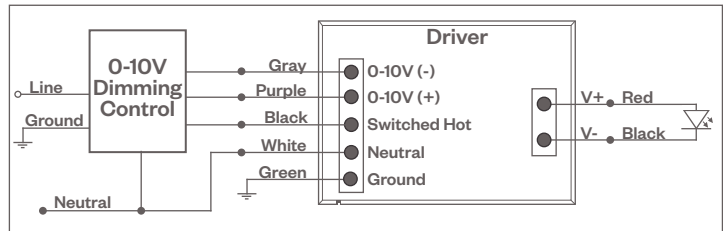
**0-10V DIMMING**

Integrates into a variety of building management and daylighting controls

**Notes:**

- 120VAC or 277VAC\*
- Dims down to 1% light output
- Requires interface to turn off power to driver
- Consult Dimming manufacturer for installation instructions - DO NOT SHARE NEUTRALS!

**0-10V Wiring Diagram**



**Compatible Dimmers†:**

Wall Box	Central System
Lutron "Diva" - DVSTV   Leviton Renoir II 0-10V	Lutron Grafik Eye with GRX-TVI Interface

**DALI DIMMING**

Digital control protocol allows individual fixture control

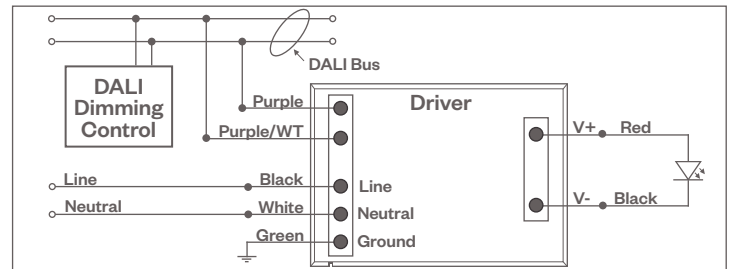
**Notes:**

- 120VAC or 277VAC
- Dims down to 1% light output in most cases

**Compatible Dimmers†:**

Wall Box (3-Wire Fluorescent)	Central System
Leviton CD250 Controller	Dynalite Fifth Light

**DALI Wiring Diagram**



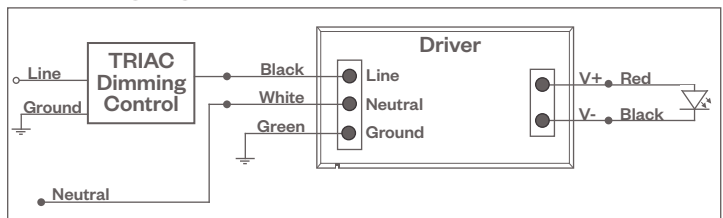
**TRIAC (Forward Phase) DIMMING (Standard)**

Utilizes standard TRIAC dimmers that are in wide use in installations across the US. Best for retrofit applications where TRIAC dimmers are installed.

**Notes:**

- 120VAC or 277VAC\*
- Dims down to 5% light output (most cases)
- Consult Dimming manufacturer for installation instructions - DO NOT SHARE NEUTRALS!
- Must meet dimmer Minimum Load Requirements per dimming manufacturer

**TRIAC Wiring Diagram**



**Compatible Dimmers†:**

Wall Box (TRIAC 120VAC)	Central System
Lutron "Diva" Lutron "Nova-T" Lutron "Maestro" Lutron "Skylark"	Lutron "GP" Panel Lutron Grafik Eye QS

**Notes:**

\* Driver is 277VAC dimmable with appropriate dimmer (by others). All provided wiring diagrams show 120VAC wiring colors and method. Please refer to 277VAC dimmer manufacturer installation instructions for 277VAC wiring diagrams.

† The absence of a dimmer from the lists above does not imply incompatibility. Please consult factory for compatibility inquiries.



**PROJECT:**

**TYPE:**

**Dimming Compatibility**

Amerlux® Finch fixtures are compatible with all major dimming protocols prevalent in the United States. Please see below for general compatibilities and wiring diagrams. Amerlux recommends testing your unique dimming configuration as the exact full configuration (Dimmer, Fixture Quantity, Voltage, etc) may affect dimming performance.

**--- NOTE: INFORMATION BELOW IS FOR WIRED DIMMERS ONLY. FOR WIRELESS DIMMERS, CONSULT FACTORY ---**

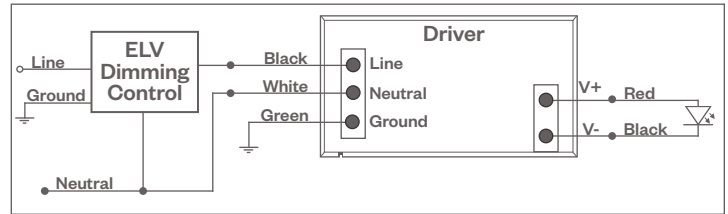
**ELV - Electronic Low Voltage (Reverse Phase) DIMMING**

Utilizes specialized "ELV" dimmers.

**Notes:**

- 120VAC or 277VAC\*
- Dims down to 5% light output (most cases)
- Consult Dimming manufacturer for installation instructions - DO NOT SHARE NEUTRALS!
- Must meet dimmer Minimum Load Requirements

**ELV Wiring Diagram**



**Compatible Dimmers†:**

Wall Box (ELV 120VAC)	Wall Box (ELV 277VAC)	Central System
Lutron "Diva"	Leviton Revoir II AWSMT-E	Lutron "GP" Panel with PHPM-PA 120/277VAC
Lutron "Nova-T"		Lutron Grafik Eye QS with PHPM-PA 120/277VAC
Lutron "Maestro"		
Lutron "Skylark"		
Leviton "Surslide"		
Leviton "Vizio"		

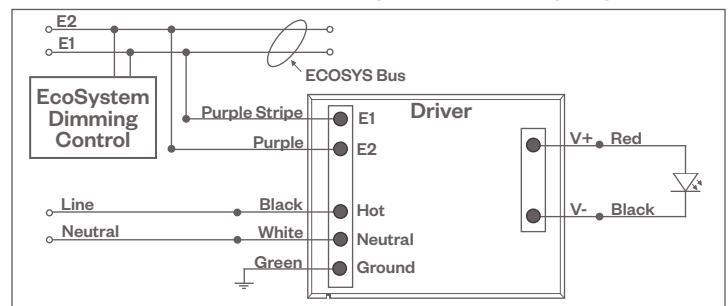
**LUTRON LDE1 DIMMING**

Integrates into Lutron EcoSystem building management

**Notes:**

- 120VAC or 277VAC\*
- Dims down to 1% Soft-On/Fade-to-Black
- EcoSystem Control
- Consult Dimming manufacturer for installation instructions - DO NOT SHARE NEUTRALS!

**LDE1 (HILUME-H-ECO) EcoSystem Digital Control Wiring Diagram**



**Compatible Dimmers†:**

Lutron ECO System	Central System
Pow Pak Dimming Modules	Lutron EcoSystem compatible controls
Energi Savr Node	
Grafik Eye QS/Homeworks	
QS Control Unit	
Quantum Hub	
Homeworks QS/My Room	

**Notes:**

- \* Driver is 277VAC dimmable with appropriate dimmer (by others). All provided wiring diagrams show 120VAC wiring colors and method. Please refer to 277VAC dimmer manufacturer installation instructions for 277VAC wiring diagrams.
- † The absence of a dimmer from the lists above does not imply incompatibility. Please consult factory for compatibility inquiries.