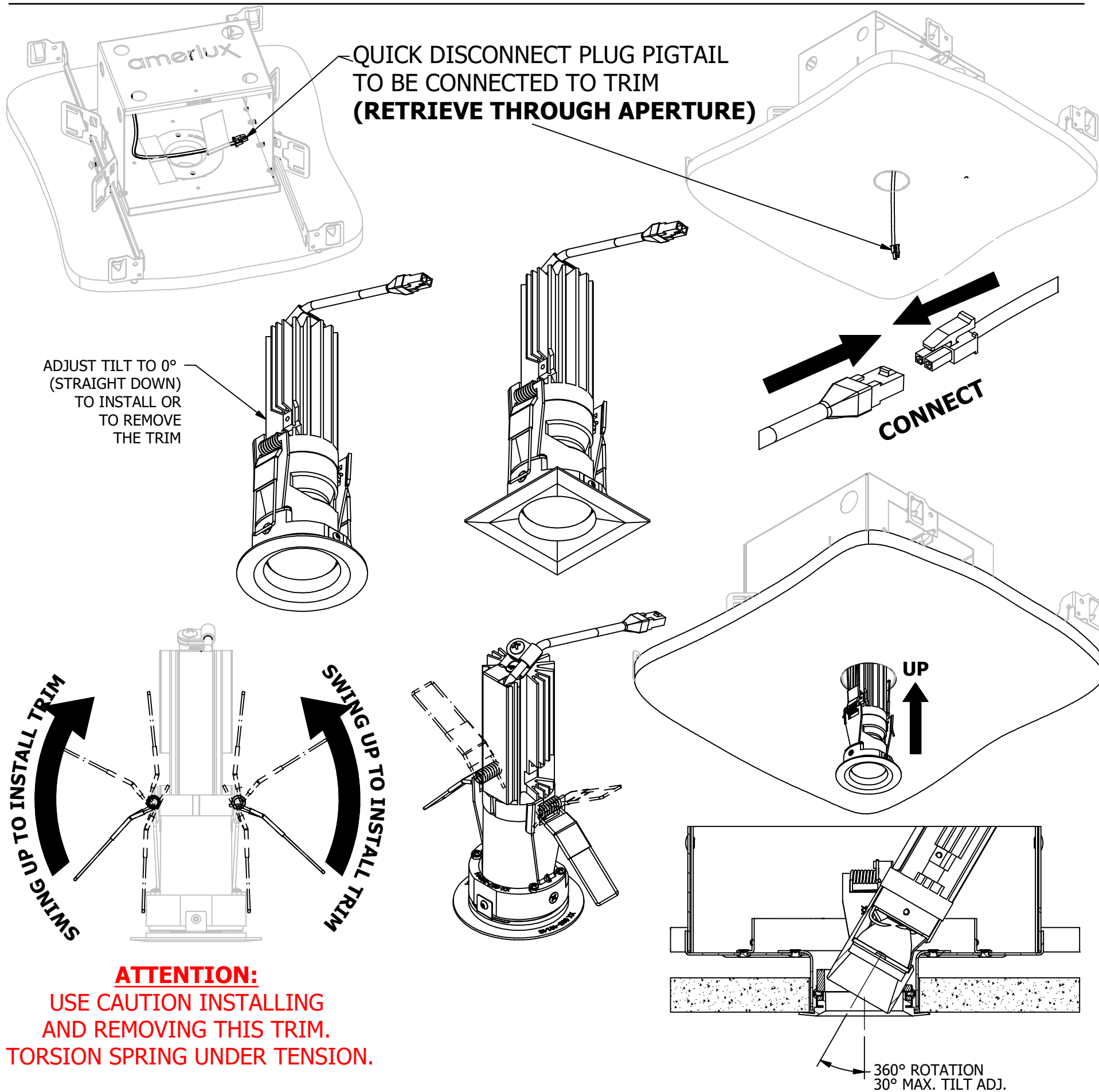


WARNING - RISK OF FIRE AND ELECTRICAL SHOCK. FIXTURE MUST BE INSTALLED BY A QUALIFIED ELECTRICIAN ONLY. FIXTURE IS INTENDED FOR INSTALLATION IN ACCORDANCE WITH THE NATIONAL ELECTRICAL CODE, LOCAL AND FEDERAL SPECIFICATIONS. DISCONNECT POWER AT ELECTRICAL PANEL BEFORE SERVICING. RETAIN THESE INSTRUCTIONS FOR MAINTENANCE REFERENCE.



TO REMOVE TRIM:

1. ADJUST TILT TO 0° (STRAIGHT DOWN).

TIP: WEAR PROTECTIVE GLOVES.

2. PULL DOWN ON THE TRIM.

TIP: USE YOUR THUMB AGAINST THE CEILING FOR LEVERAGE. TWIST THE TRIM SLIGHTLY LEFT AND RIGHT WHILE APPLYING DOWNWARD FORCE.

3. USE CAUTION. TORSION SPRING UNDER TENSION.

TIP: WHEN TORSION SPRINGS BECOME VISIBLE, WRAP YOUR PALM AROUND THE HEATSINK THEN PULL TRIM DOWN.

