

Evoke® 4.75"

Square Lensed Downlight/
Wall Wash



Features

Impressive performance, high lumen delivery, consistent color. The Evoke® 4.75 Square Lensed Downlight features the fit, finish, attention to detail, and performance that Evoke is known to provide. Evoke 4.75" SLD delivers the performance energy savings and color you expect from a spec-grade LED downlight family. Complimenting Wall Wash fixture available.

Product Overview

- Fixture Type: Recessed Downlight/Wall Wash
- Wattage: 16, 21, 30, 34, 42, 46
- Color Temp: 2700K, 3000K, 3500K, 4000K, CRISP
- CRI: 83 typ. (2700K, 3000K, 3500K, 4000K)
90+ typ. (2700K, 3000K, 3500K, 4000K)
CrispWhite and Class A LEDs available
- Dimming: ELV & TRIAC (120/277VAC)
Lutron LDE1 Hi-lume® 1% Soft-On/Fade-to-Black (120/277VAC)
0-10V (120/277VAC) - 1% Dim
DALI dimming - 1% Dim



Downlight

**International version available, see website for spec sheet.*

PROJECT:

TYPE:



Trimless



Wall Wash

Performance Chart

DOWNLIGHT			
Watts	Delivered Lumens	LPW	Color Temp
16	1509	94.3	3000K-83
21	1981	94.3	3000K-83
30	2830	94.3	3000K-83
34	3207	99.1	3000K-83
42	4000	95.1	3000K-83
46	4290	93.1	3000K-83

WALL WASH*			
Watts	Delivered Lumens	LPW	Color Temp
16	1401	87.6	3000K-83
21	1839	87.6	3000K-83
30	2495	83.2	3000K-83
34	2835	87.6	3000K-83
42	3536	84.1	3000K-83
46	3792	82.4	3000K-83

*Data based on 3000K-83 IES files available on website
Data based on E4.75RLDS with 50° Solite Lens
See pages 7-8 for other performance data*

Electrical Data

	16W		21W		30W		34W	
	System Watts	Amps	System Watts	Amps	System Watts	Amps	System Watts	Amps
120V	16	0.13	21	0.18	30	0.25	34	0.28
277V	16	0.06	21	0.08	30	0.11	34	0.12
	42W		46W					
	System Watts	Amps	System Watts	Amps				
120V	42	0.35	46	0.38				
277V	42	0.15	46	0.17				

*Electronic constant current LED driver
Includes thermal protector, 2w power consumption*



Evolve® 4.75"

4.75" Square Lensed Downlight/Wall Wash



PROJECT:

TYPE:

Housing/Frame Ordering Information

1	2	3	4	5	6
1 <u>Model</u> For New Construction E4.75S-NC-A17[†] (New Construction) E4.75S-CP-A17[†] (Chicago Plenum, 16W, 21W, & 30W only) E4.75S-IC-A17[†] (Insulated Ceiling/air tight 16W & 21W only)	2 <u>Style</u> T - trimmed TL - trimless (not available for use with Grid ceiling)	3 <u>Wattage</u> 16 21 30 (not for use with IC housing) 34 (not for use with CP or IC housing) 42 (not for use with CP or IC housing) 46 (not for use with CP or IC housing)	4 <u>Voltage</u> 120 277 120/277 (for use with IC housing only)	5 <u>Driver</u> (for non-dimming, select LE/TE option) LE/TE - TRIAC/ELV dimming HILUME-H-ECO* - Lutron LDE1 Hi-lume® 1% Soft-On/ Fade-to-Black 0-10V - 0-10V dimming, 1% dim DALI - DALI dimming, 1% dim * Not available for use with 46W option	6 <u>Options</u> EM - emergency battery pack with remote test switch (not available for use with CP or IC options) HB49 - hanger bars from min 29" to max 49"

Trim Ordering Information

1	2	3	4	5	6
1 <u>Model</u> E4.75SLD-A17[†] E4.75SLW-A17[†] (wall wash)	2 <u>Style</u> T - trimmed TL - trimless (not available for use with Grid ceiling)	3 <u>Finish</u> For Trimmed Fixture MWW - matte white, white flange MBW - matte black, white flange SLVW - matte silver, white flange MBB - matte black, black flange For Trimless Fixture MW - matte white MB - matte black SLV - matte silver	4 <u>Beam Spreads</u> For SLD trim: 30SOL - 30° solite lens 50SOL - 50° solite lens 65SOL - 65° solite lens 75SAT - 75° satin ice lens For SLW trim: WW - wall wash	5 <u>Color Temp</u> 83 CRI 90+ CRI 27 - 2700K-83 279 - 2700K-90+ CRISP - CrispWhite 30 - 3000K-83 309 - 3000K-90+ 3CLA - 3K Class A 35 - 3500K-83 359 - 3500K-90+ 40 - 4000K-83 409 - 4000K-90+	6 <u>Options/Accessories</u> WET - wet location (not available for use with trimless option)

[†] The "A" refers to the sequential revision in a year and "XX" refers to the year of update. Updates coincide with improved performance while not changing the overall fixture aesthetic and are reflected in the published performance data. Please contact your Amerlux representative for explanations of changes.

Evoke® 4.75"

4.75" Square Lensed Downlight/Wall Wash



PROJECT:

TYPE:

Specifications

Application

For [E4.75SLD](#):

Commercial and hospitality ambient lighting

For [E4.75SLW](#):

Commercial and hospitality wall wash lighting

Housing Construction

20 ga. galvanized steel frame

18 ga. galvanized steel splice housing and hanger brackets

Die-cast aluminum heatsink

Adjustable aperture plate for alignment

Cast aluminum plaster frame with perforated face (for trimless option)

Wet location option adds silicone flange gasket

Reflector Construction

Spun aluminum self-flanged reflector, anodized finish

Optical

High reflectance, highly diffuse mixing chamber

Engineered nano technology lens provide transmission while concealing LED image

Lens options for SLD trim:

[Solite Lens](#) for maximum efficacy and visually quieter aperture in 30°, 50° or 65° distributions

[Satin Ice Lens](#) for maximum source concealment and wide distribution with a visually "hotter" aperture in 75° distribution

LED

Color Temp Options:

2700K, 3000K, 3500K, 4000K

CRI: 83 typ. (2700K, 3000K, 3500K, 4000K)

90+ typ. (2700K, 3000K, 3500K, 4000K)

CrispWhite* LED & 3K Class A LED available

R9 Values: 11 (83 CRI), 55 (90+ CRI)

Binning: 3 MacAdam (SDCM)

**CrispWhite: CrispWhite Technology delivers the warmth of colors expected from a high 90 CRI solution but also creates the natural crisp white color that is pleasing to the eye. It creates the most impactful lighting ever available, by revealing the richest whites and vibrant colors that pop.*

***Class A LED: Class A LED's have a CRI > 80 and a GAI > 80. CRI defines color "Naturalness" and GAI defines color "Saturation." Both being high delivers rich colors and pure whites.*

Electrical

Wattage: 16, 21, 30, 34, 42, 46

Electronic constant current LED driver, 120/277VAC input

This product complies with IEEE C62.41 for surge endurance up to 2.5KV. Amerlux® recommends using additional surge protection with this unit (supplied by others), surge damage is not covered under warranty.

Drivers

LE/TE - Leading Edge, TRIAC, forward phase/Trailing Edge, ELV, reverse phase

0-10V, Lutron and DALI systems also available

See pages 8-10 for more dimming information

Finish

Powder coat paint

Consult factory for custom finishes

Mounting

26" Hanger bars included

Optional **HB49** - hanger bars from min 29" to max 49" available

Trimmed Fixture:

For use in grid or sheetrock ceilings, max ceiling thickness 1"

Trimless Fixture:

For use in sheetrock ceilings, max ceiling thickness 5/8"

Certifications

CSA approved to UL standards as tested by CSA

IC/AT rated (optional, 16W & 21W only)

Damp location

Wet location option

Title 24 compliant

Warranty

5 year limited warranty

Emergency Battery Pack (EM)

IOTA ILB-CP05 Emergency battery pack with remote test switch, output of 5W (approx. 300 lumens) for 90 minutes

Evoke® 4.75"

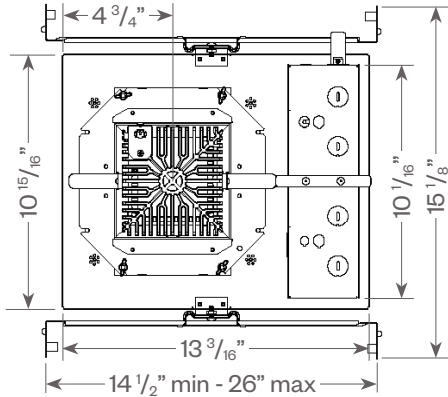
4.75" Square Lensed Downlight/Wall Wash



PROJECT:

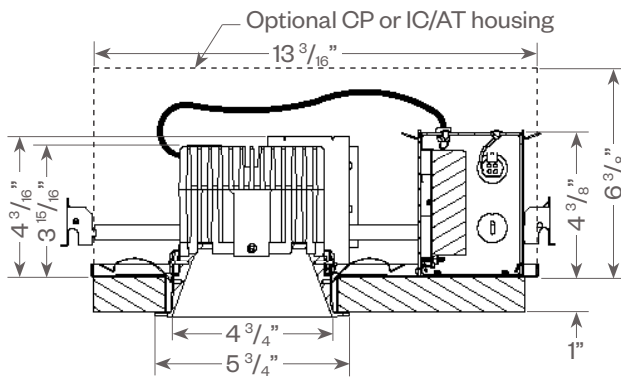
TYPE:

Evoke Square Lensed Downlight:

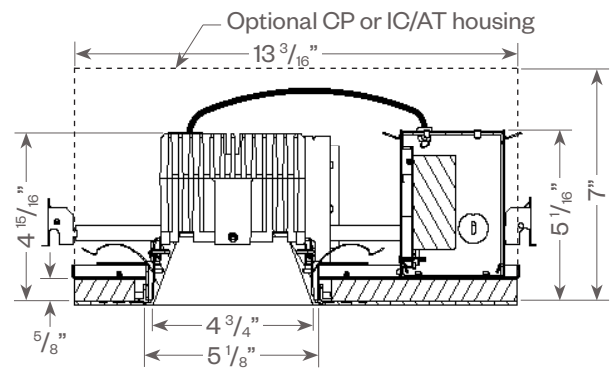


Trimmed

Trimless



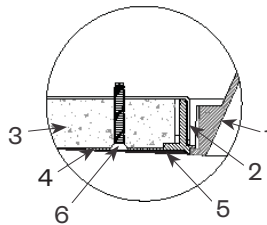
Ceiling cut out: 5 1/8" sq.



Ceiling cut out: 5 13/16" sq.

Plaster Frame Installation Detail (for trimless fixture only)

1. Reflector Trim
2. Aperture plate
3. Ceiling 5/8"
4. Cast Aluminum Plaster Frame
5. Plaster Skim Coat (by others)
6. 6-32 Type F Thread Cutting Screw



Evoke® 4.75"

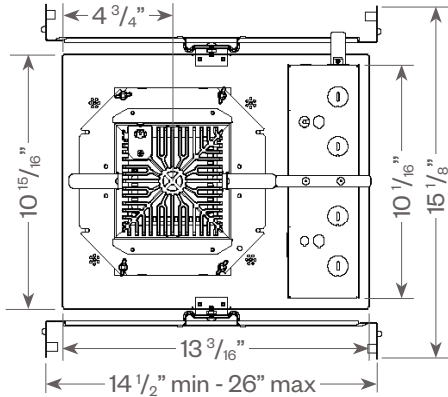
4.75" Square Lensed Downlight/Wall Wash



PROJECT:

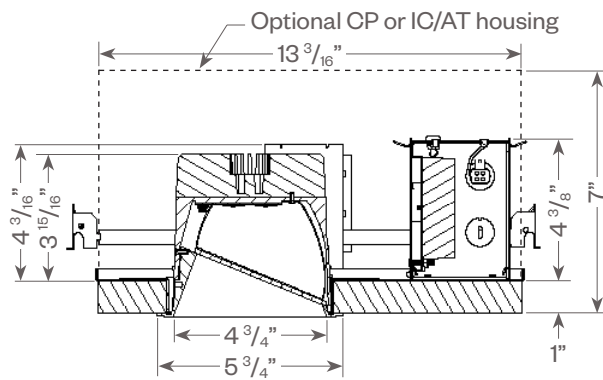
TYPE:

Evoke Square Lensed Wall Wash:

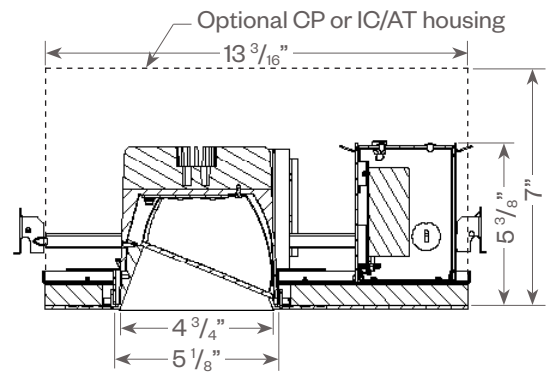


Trimmed

Trimless



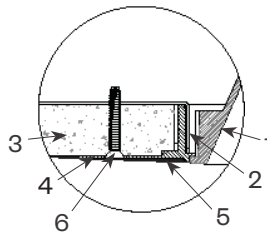
Ceiling cut out: 5 1/8" sq.



Ceiling cut out: 5 13/16" sq.

Plaster Frame Installation Detail (for trimless fixture only)

1. Reflector Trim
2. Aperture plate
3. Ceiling 5/8"
4. Cast Aluminum Plaster Frame
5. Plaster Skim Coat (by others)
6. 6-32 Type F Thread Cutting Screw



Evoke[®] 4.75"

4.75" Square Lensed Downlight/Wall Wash



Evoke 4.75" SLD/SLW

PROJECT:

TYPE:

Evoke Square Lensed Downlight:

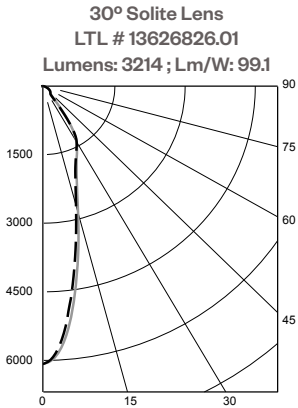
FIXTURE DATA: (Complete photometric data (.ies format) available upon request)

MULTIPLYING FACTORS: (Multiplying Factor is based on 3000K-83 120V IES file on website)

Wattage:	16W	21W	30W	34W	42W	46W
Factor:	0.47	0.62	0.88	1.0	1.24	1.33

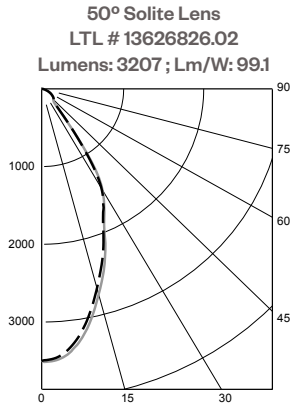
CCT:	2700K-83	3000K-83	3500K-83	4000K-83	2700K-90+	3000K-90+	3500K-90+	4000K-90+	CRISP	3CLA
Factor:	0.96	1.0	1.02	1.04	0.83	0.86	0.90	0.93	0.65	0.70

34W LED, 3000K-83



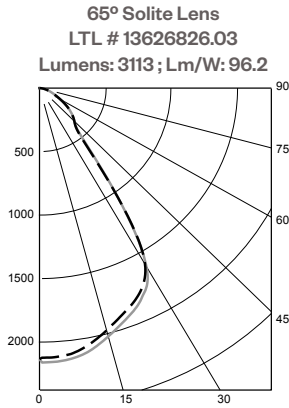
Candelas at Nadir

Deg	Candela
0	6082
5	5467
15	2732
25	1628
35	823
45	220



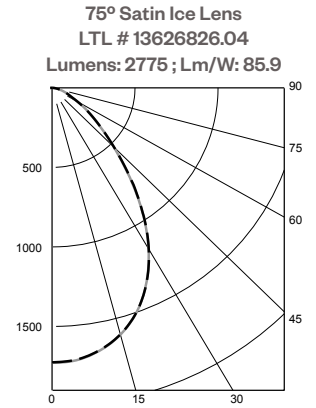
Candelas at Nadir

Deg	Candela
0	3500
5	3445
15	2721
25	1817
35	787
45	204



Candelas at Nadir

Deg	Candela
0	2134
5	2153
15	2021
25	1823
35	976
45	373



Candelas at Nadir

Deg	Candela
0	1726
5	1718
15	1605
25	1352
35	955
45	532

Application Data:



0° Aiming Angle
Horizontal
Footcandles

MULTIPLE UNITS

50'x50' Room , 10' Mounting Height

30SOL, 34W, 3000K-83 Optic

D	FC	L	W	FC on Floor (avg/max)	FC at 2.5' AFF (avg/max)
5.0'	244	2.4	2.3	82/120	85/130
7.5'	109	3.5	3.3	46/74	41/106
10.0'	62	4.6	4.4	32/65	33/100
12.5'	40	5.7	5.4		

50SOL, 34W, 3000K-83 Optic

D	FC	L	W	FC on Floor (avg/max)	FC at 2.5' AFF (avg/max)
5.0'	141	3.9	3.8	81/101	84/104
7.5'	63	5.8	5.7	46/58	48/73
10.0'	36	7.9	7.8	32/43	33/67
12.5'	23	10.1	9.9		

65SOL, 34W, 3000K-83 Optic

D	FC	L	W	FC on Floor (avg/max)	FC at 2.5' AFF (avg/max)
5.0'	86	5.6	5.6	77/98	80/100
7.5'	39	8.5	8.5	44/55	46/56
10.0'	22	11.5	11.5	30/37	32/47
12.5'	15	14.6	14.6		

75SAT, 34W, 3000K-83 Optic

D	FC	L	W	FC on Floor (avg/max)	FC at 2.5' AFF (avg/max)
5.0'	70	5.3	5.3	68/82	71/83
7.5'	31	8.0	8.0	38/46	40/50
10.0'	18	11.0	11.0	26/31	28/40
12.5'	12	14.2	14.2		

Notes and Definitions:

Beam spread is to 50% center beam candlepower (CBCP).

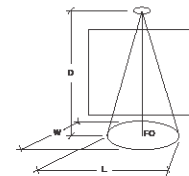
D=Distance to floor or wall.

FC=Footcandles on floor or wall at center beam aiming location.

L=Effective Visual Beam length in feet (50% of maximum footcandle level).

W=Effective Visual Beam width in feet (50% of maximum footcandle level).

CB=Distance across or down to center beam location.



Evoke® 4.75"

4.75" Square Lensed Downlight/Wall Wash



PROJECT:

TYPE:

Evoke Square Lensed Wall Wash:

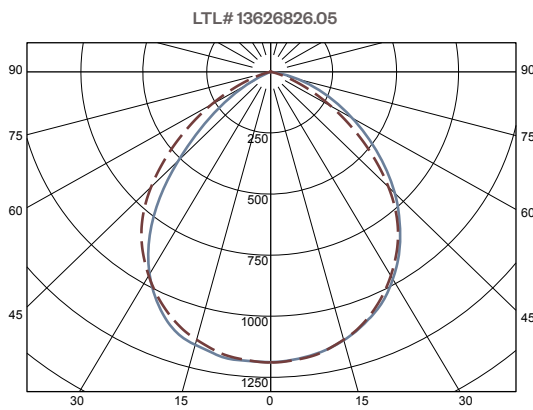
FIXTURE DATA: (Complete photometric data (.ies format) available upon request)

MULTIPLYING FACTORS: (Multiplying Factor is based on 3000K-83 120V IES file on website)

Wattage:	16W	21W	30W	34W	42W	46W
Factor:	0.47	0.62	0.88	1.0	1.24	1.33

CCT:	2700K-83	3000K-83	3500K-83	4000K-83	2700K-90+	3000K-90+	3500K-90+	4000K-90+	CRISP	3CLA
Factor:	0.96	1.0	1.02	1.04	0.83	0.86	0.90	0.93	0.65	0.70

34W 3000K-83



ZONAL LUMEN SUMMARY

Zone	Lumens	%Fixt
0-40	1539	54.3
0-60	2464	87
0-90	2833	100.00
90-180	0	0.00

Luminaire Efficacy: 87.6 Lm/W

Application Data:

Footcandles on Wall

Footcandles are average and rounded off.
Data for multiple units are based on a minimum of five units.

2 Feet from Wall

Distance from ceiling	Unit 1		Unit 2	
	0.5'	1.5'	0.5'	1.5'
0.5'	52	46	53	46
1.5'	134	131	137	131
2.5'	123	127	128	126
3.5'	90	94	95	94
4.5'	64	67	68	67
5.5'	46	48	49	48
6.5'	35	36	37	36
7.5'	27	28	29	28
8.5'	23	23	24	23

2 Feet from Wall

Distance from ceiling	Unit 1		Unit 2	
	0.5'	1.5'	0.5'	1.5'
0.5'	45	31	31	45
1.5'	101	85	86	101
2.5'	89	86	86	90
3.5'	66	66	66	66
4.5'	48	49	50	49
5.5'	36	37	38	37
6.5'	28	29	29	29
7.5'	23	23	24	23
8.5'	19	20	20	19

3 Feet from Wall

Distance from ceiling	Unit 1		Unit 2	
	0.5'	1.5'	0.5'	1.5'
0.5'	16	15	15	17
1.5'	50	48	48	51
2.5'	63	63	63	65
3.5'	59	60	61	62
4.5'	50	52	52	53
5.5'	41	42	43	43
6.5'	34	35	35	35
7.5'	28	29	29	30
8.5'	24	24	25	25

Evoke® 4.75"

4.75" Square Lensed Downlight/Wall Wash



PROJECT:

TYPE:

DIMMING COMPATIBILITY:

Amerlux® Evoke fixtures are compatible with all major dimming protocols prevalent in the United States. Please see below for general compatibilities and wiring diagrams. Amerlux recommends testing your unique dimming configuration as the exact full configuration (Dimmer, Fixture Quantity, Voltage, etc) may affect dimming performance.

--- NOTE: INFORMATION BELOW IS FOR WIRED DIMMERS ONLY. FOR WIRELESS DIMMERS, CONSULT FACTORY ---

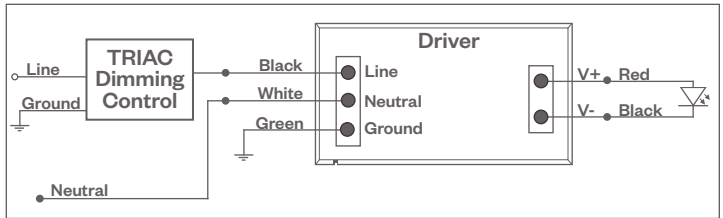
TRIAC (Forward Phase) DIMMING (Standard)

Utilizes standard TRIAC dimmers that are in wide use in installations across the US. Best for retrofit applications where TRIAC dimmers are installed.

Notes:

- 120VAC or 277VAC*
- Dims down to 5% light output (most cases)
- Consult Dimming manufacturer for installation instructions - DO NOT SHARE NEUTRALS!
- Must meet dimmer Minimum Load Requirements per dimming manufacturer

TRIAC Wiring Diagram



Compatible Dimmers†:

Wall Box (TRIAC 120VAC)	Central System
Lutron "Diva"	Lutron "GP" Panel
Lutron "Nova-T"	Lutron Grafik Eye QS
Lutron "Maestro"	
Lutron "Skylark"	

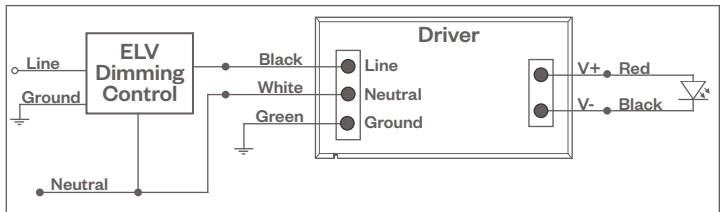
ELV - Electronic Low Voltage (Reverse Phase) DIMMING (Standard)

Utilizes specialized "ELV" dimmers.

Notes:

- 120VAC or 277VAC*
- Dims down to 5% light output (most cases)
- Consult Dimming manufacturer for installation instructions - DO NOT SHARE NEUTRALS!
- Must meet dimmer Minimum Load Requirements

ELV Wiring Diagram



Compatible Dimmers†:

Wall Box (ELV 120VAC)	Wall Box (ELV 277VAC)	Central System
Lutron "Diva"	Leviton Revoir II AWSMT-E	Lutron "GP" Panel with PHPM-PA 120/277VAC
Lutron "Nova-T"		Lutron Grafik Eye QS with PHPM-PA 120/277VAC
Lutron "Maestro"		
Lutron "Skylark"		
Leviton "Surslide"		
Leviton "Vizio"		

Notes:

- * Driver is 277VAC dimmable with appropriate dimmer (by others). All provided wiring diagrams show 120VAC wiring colors and method. Please refer to 277VAC dimmer manufacturer installation instructions for 277VAC wiring diagrams.
- † The absence of a dimmer from the lists above does not imply incompatibility. Please consult factory for compatibility inquiries.

Evoke® 4.75"

4.75" Square Lensed Downlight/Wall Wash



PROJECT:

TYPE:

DIMMING COMPATIBILITY:

Amerlux® Evoke fixtures are compatible with all major dimming protocols prevalent in the United States. Please see below for general compatibilities and wiring diagrams. Amerlux recommends testing your unique dimming configuration as the exact full configuration (Dimmer, Fixture Quantity, Voltage, etc) may affect dimming performance.

--- NOTE: INFORMATION BELOW IS FOR WIRED DIMMERS ONLY. FOR WIRELESS DIMMERS, CONSULT FACTORY ---

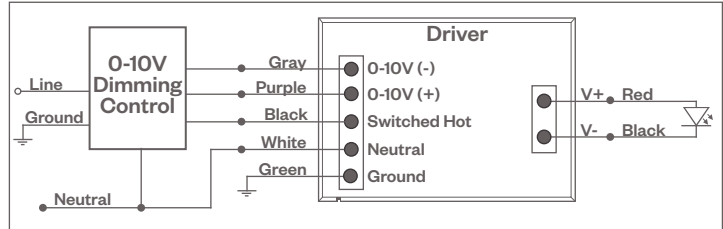
0-10V DIMMING

Integrates into a variety of building management and daylighting controls

Notes:

- 120VAC or 277VAC*
- Dims down to 1% light output
- Requires interface to turn off power to driver
- Consult Dimming manufacturer for installation instructions - DO NOT SHARE NEUTRALS!

0-10V Wiring Diagram



Compatible Dimmers*:

Wall Box

Lutron "Diva" - DVSTV | Leviton Renoir II 0-10V

Central System

Lutron Grafik Eye with GRX-TV1 Interface

LUTRON LDE1 DIMMING

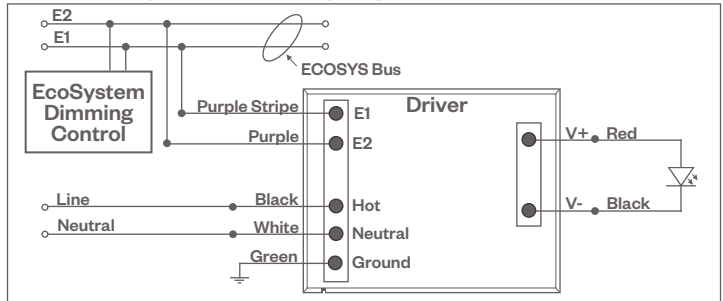
Integrates into Lutron EcoSystem building management

Notes:

- 120VAC or 277VAC*
- Dims down to 1% Soft-On/Fade-to-Black
- EcoSystem Control
- Consult Dimming manufacturer for installation instructions - DO NOT SHARE NEUTRALS!

Lutron LDE1 (HILUME-H-ECO)

EcoSystem Digital Control Wiring Diagram



Compatible Dimmers*:

Lutron ECO System

Pow Pak Dimming Modules
Energj Savr Node
Grafik Eye QS/Homeworks
QS Control Unit
Quantum Hub
Homeworks QS/My Room

Central System

Lutron EcoSystem compatible controls

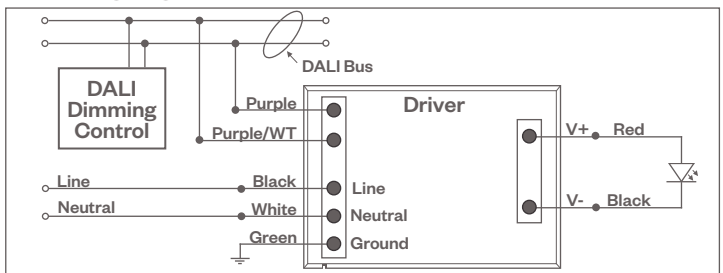
DALI DIMMING

Digital control protocol allows individual fixture control

Notes:

- 120VAC - 277VAC*
- Dims down to 1% light output in most cases

DALI Wiring Diagram



Compatible Dimmers*:

Wall Box (3-Wire Fluorescent)

Leviton CD250 Controller

Central System

Dynalite
Fifth Light

Notes:

- * Driver is 277VAC dimmable with appropriate dimmer (by others). All provided wiring diagrams show 120VAC wiring colors and method. Please refer to 277VAC dimmer manufacturer installation instructions for 277VAC wiring diagrams.
- † The absence of a dimmer from the lists above does not imply incompatibility. Please consult factory for compatibility inquiries.

Evoke[®] 4.75"

4.75" Square Lensed Downlight/Wall Wash



Evoke 4.75" SLD/SLW

PROJECT:

TYPE:

EMERGENCY DIMMING (-EM OPTION)

Wiring Diagram

