

# Evoke® 4.75"

## Square Lensed Downlight/Wall Wash



**PROJECT:**

**TYPE:**

### Features

Impressive performance, high lumen delivery, consistent color. The Evoke 4.75 Square Lensed Downlight features the fit, finish, attention to detail, and performance that Evoke is known to provide. Evoke 4.75" SLD delivers the performance, energy savings and color you expect from a spec-grade LED downlight. Complimenting Wall Wash fixture available.



### Product Overview

Type: Recessed Square Downlight/Wall Wash  
 Wattage: 16W, 21W, 30W, 34W, 42W, 46W  
 Color Temp: 2700K, 3000K, 3500K, 4000K  
 CRI: 83 typ. or 90+ typ.  
 CrispWhite & 3K Class A LEDs available  
 Dimming: TRIAC & ELV, 5% Dim, 120/277VAC  
 Lutron LDE1 Hi-lume® 1% Soft-On/Fade-to-Black, 120/277VAC  
 0-10V, 1% Dim, 120/277VAC  
 DALI, 1% Dim, 120/277VAC



### Certifications

International version available, see website for spec sheet.



### Fixture Summary

#### Performance Data

Downlight			
Watts	Delivered Lumens	LPW	Color Temp-CRI
16	1509	94.3	3000K-83
21	1981	94.3	3000K-83
30	2830	94.3	3000K-83
34	3207	99.1	3000K-83
42	4000	95.1	3000K-83
46	4290	93.1	3000K-83

Wall Wash			
Watts	Delivered Lumens	LPW	Color Temp-CRI
16	1401	87.6	3000K-83
21	1839	87.6	3000K-83
30	2495	83.2	3000K-83
34	2835	87.6	3000K-83
42	3536	84.1	3000K-83
46	3792	82.4	3000K-83

Data is based on 3000K-83 120V IES files available on website.  
 Data is based on E4.75SLD 34W with 50° Solite Lens.  
 See pages 6-7 for other performance data.

#### Electrical Data

Voltage	16W		21W		30W		34W		42W		46W	
	System Watts	Amps	System Watts	Amps	System Watts	Amps	System Watts	Amps	System Watts	Amps	System Watts	Amps
120V	16	0.13	21	0.18	30	0.25	34	0.28	42	0.35	46	0.38
277V	16	0.06	21	0.08	30	0.11	34	0.12	42	0.15	46	0.17

Electronic constant current LED driver.  
 Includes thermal protector, 2W power consumption.

# Evoke® 4.75"

Square Lensed Downlight/Wall Wash



<b>PROJECT:</b>	<b>TYPE:</b>
-----------------	--------------

**Ordering Information - Housing/Frame**

<b>1</b>	<b>2</b>	<b>3</b>	<b>4</b>	<b>5</b>	<b>6</b>
<b>1 Model</b>	<b>2 Style</b>	<b>3 Wattage</b>			
<p><u>For New Construction</u></p> <p><b>E4.75S-NC-A17</b> (New Construction)</p> <p><b>E4.75S-CP-A17</b> (Chicago Plenum, 16W, 21W &amp; 30W only)</p> <p><b>E4.75S-IC-A17</b> (Insulated Ceiling/air tight, 16W &amp; 21W only)</p>	<p><b>T</b> - trimmed</p> <p><b>TL</b> - trimless (not available for use with Grid ceiling)</p>	<p><b>16</b></p> <p><b>21</b></p> <p><b>30</b> (not for use with IC housing)</p> <p><b>34</b> (not for use with CP or IC housings)</p> <p><b>42</b> (not for use with CP or IC housings)</p> <p><b>46</b> (not for use with CP or IC housings)</p>			
<b>4 Voltage</b>	<b>5 Driver</b> (for non-dimming, select LE/TE option)		<b>6 Options/Accessories</b>		
<p><b>120</b></p> <p><b>277</b></p> <p><b>120/277</b> (for use with IC housing only)</p>	<p><b>LE/TE</b> TRIAC/ELV dimming, 5% dim</p> <p><b>HILUME-H-ECO*</b> Lutron LDE1 Hi-lume® 1% dim Soft-On/Fade-to-Black</p> <p><b>0-10V</b> 0-10V dimming; 1% dim</p> <p><b>DALI</b> DALI dimming; 1% dim</p> <p><i>* Not available for use with 46W option.</i></p>		<p><b>EM</b> emergency battery pack with remote test switch (not available for use with CP or IC options)</p> <p><b>HB49</b> hanger bars from min 29" to max 49" <i>Note: 26" hanger bars are included as standard. Choose <b>HB49</b> option above for larger mounting spaces only.</i></p>		

**Ordering Information - Trim**

<b>1</b>	<b>2</b>	<b>3</b>	<b>4</b>	<b>5</b>	<b>6</b>										
<b>1 Model</b>	<b>2 Style</b>	<b>3 Finish</b>													
<p><b>E4.75SLD-A17</b></p> <p><b>E4.75SLW-A17</b> (wall wash)</p>	<p><b>T</b> - trimmed</p> <p><b>TL</b> - trimless (not available for use with Grid ceiling)</p>	<table style="width: 100%; border: none;"> <tr> <td style="border: none;"><u>For Trimmed Fixture</u></td> <td style="border: none;"><u>For Trimless Fixture</u></td> </tr> <tr> <td style="border: none;"><b>MWW</b> matte white, white flange</td> <td style="border: none;"><b>MW</b> matte white</td> </tr> <tr> <td style="border: none;"><b>MBW</b> matte black, white flange</td> <td style="border: none;"><b>MB</b> matte black</td> </tr> <tr> <td style="border: none;"><b>SLVW</b> matte silver, white flange</td> <td style="border: none;"><b>SLV</b> matte silver</td> </tr> <tr> <td style="border: none;"><b>MBB</b> matte black, white black</td> <td></td> </tr> </table>				<u>For Trimmed Fixture</u>	<u>For Trimless Fixture</u>	<b>MWW</b> matte white, white flange	<b>MW</b> matte white	<b>MBW</b> matte black, white flange	<b>MB</b> matte black	<b>SLVW</b> matte silver, white flange	<b>SLV</b> matte silver	<b>MBB</b> matte black, white black	
<u>For Trimmed Fixture</u>	<u>For Trimless Fixture</u>														
<b>MWW</b> matte white, white flange	<b>MW</b> matte white														
<b>MBW</b> matte black, white flange	<b>MB</b> matte black														
<b>SLVW</b> matte silver, white flange	<b>SLV</b> matte silver														
<b>MBB</b> matte black, white black															
<b>4 Beam Spread</b>	<b>5 Color Temp</b>		<b>6 Options/Accessories</b>												
<p><u>For SLD trim</u></p> <p><b>30SOL</b> 30° solite lens</p> <p><b>50SOL</b> 50° solite lens</p> <p><b>65SOL</b> 65° solite lens</p> <p><b>75SAT</b> 75° satin ice lens</p>	<p><u>For SLW trim</u></p> <p><b>WW</b> wall wash</p>		<p><b>83 CRI</b>      <b>90+ CRI</b></p> <p><b>27</b> 2700K-83      <b>279</b> 2700K-90+      <b>CRISP</b> CrispWhite</p> <p><b>30</b> 3000K-83      <b>309</b> 3000K-90+      <b>3CLA</b> 3K Class A</p> <p><b>35</b> 3500K-83      <b>359</b> 3500K-90+</p> <p><b>40</b> 4000K-83      <b>409</b> 4000K-90+</p>												
<p><b>WET</b> wet location (not available for use with trimless option)</p>															

# Evolve<sup>®</sup> 4.75"

Square Lensed Downlight/Wall Wash



PROJECT:

TYPE:

## Specifications

### Application

For E4.75SLD

Commercial and hospitality ambient lighting

For E4.75SLW

Commercial and hospitality wall Wash lighting

### Housing Construction

20 ga. galvanized steel frame

18 ga. galvanized steel splice housing and hanger brackets

Die-cast aluminum heatsink

Cast aluminum plaster frame with perforated face (*for trimless option*)

Wet location option adds silicone flange gasket

### Reflector Construction

Spun aluminum self-flanged reflector, anodized finish

### Optical

High reflectance, highly diffuse mixing chamber

Engineered nano technology lens provide transmission while concealing LED image

Lens options for SLD trim

**Solite Lens** for maximum efficacy and visually quieter aperture in 30°, 50° or 65° distributions

**Satin Ice Lens** for maximum source concealment and wide distribution with a visually "hotter" aperture in 75° distribution

### LED

Color Temp Options: 2700K, 3000K, 3500K, 4000K

CRI: 83 typ. or 90+ typ.

CrispWhite\* and Class A\*\* 3000K (*high CRI, high gamut*) available

R9 Values: 11 (*83 CRI*), 55 (*92 CRI*)

Binning: 3 MacAdam (*SDCM*)

Life: 50,000+ hrs, > 70% of initial lumens at 50,000 hrs

\* *CrispWhite: CrispWhite Technology delivers the warmth of colors expected from a high 90 CRI solution but also creates the natural crisp white color that is pleasing to the eye. It creates the most impactful lighting ever available, by revealing the richest whites and vibrant colors that pop.*

\*\* *Class A LED: Class A LED's have a CRI > 80 and a GAI > 80. CRI defines color "Naturalness" and GAI defines color "Saturation." Both being high delivers rich colors and pure whites.*

### Electrical

Wattage: 16W, 21W, 30W, 34W, 42W, 46W

Electronic constant current LED driver, 120/277VAC input

***This product complies with IEEE C62.41 for surge endurance up to 2.5KV. Amerlux® recommends using additional surge protection with this unit (supplied by others), surge and over voltage damage is not covered under warranty.***

### Drivers

**LE/TE** - Leading Edge (*Triac, Forward Phase*) or Trailing Edge (*ELV, Reverse Phase*)

0-10V, Lutron and DALI systems also available

See pages 8-10 for more dimming information

### Finish

Powder coat paint/wet paint

Consult factory for custom finishes

### Mounting

26" Hanger bars included

Optional **HB49** - hanger bars from min 29" to max 49" available

Trimmed Fixture

For use in grid or sheetrock ceilings, max ceiling thickness 1"

Trimless Fixture

For use in sheetrock ceilings, max ceiling thickness 5/8"

### Certifications

CSA approved to UL standards as tested by CSA

Chicago Plenum (*CCEA*) (*optional, 16W, 21W & 30W only*)

IC/AT rated (*optional, 16W & 21W only*)

Damp location

Wet location option

Title 24 compliant

### Warranty

5 year limited warranty

### Emergency Battery Pack (EM)

IOTA ILB-CP05 Emergency battery pack with remote test switch, output of 5W (*approx. 300 lumens*) for 90 minutes

# Evolve<sup>®</sup> 4.75"

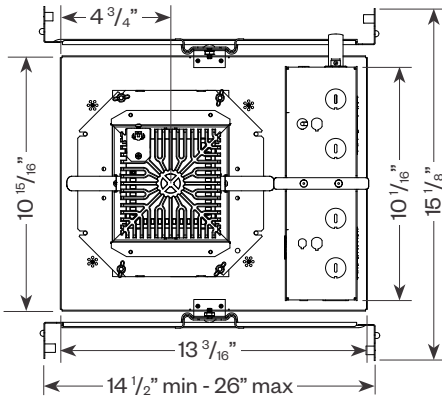
Square Lensed Downlight/Wall Wash



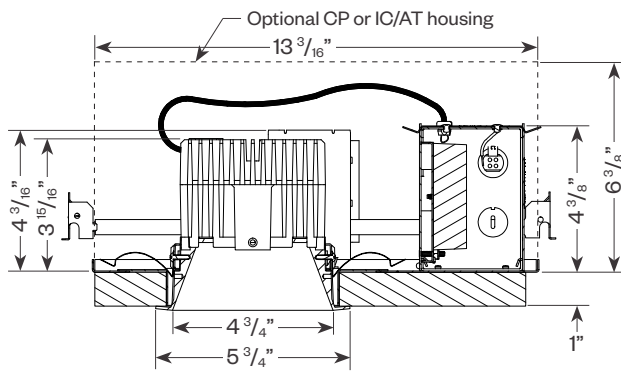
PROJECT:

TYPE:

## Product Details - Square Lensed Downlight (SLD)

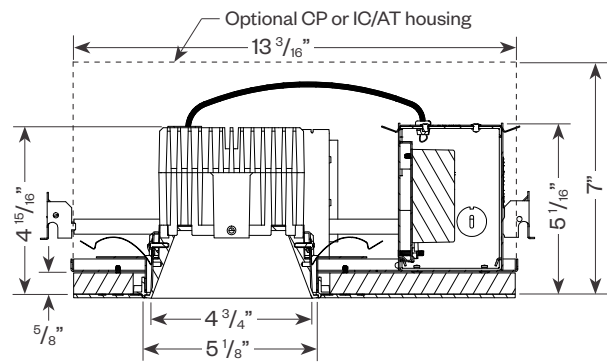


Trimmed



Ceiling cut out: 5 1/8" sq.

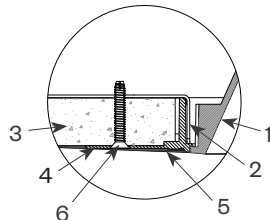
Trimless



Ceiling cut out: 5 13/16" sq.

## Plaster Frame Installation Detail (for trimless fixture only)

1. Reflector Trim
2. Aperture plate
3. Ceiling 5/8"
4. Cast Aluminum Plaster Frame
5. Plaster Skim Coat (by others)
6. 6-32 Type F Thread Cutting Screw



# Evolve® 4.75"

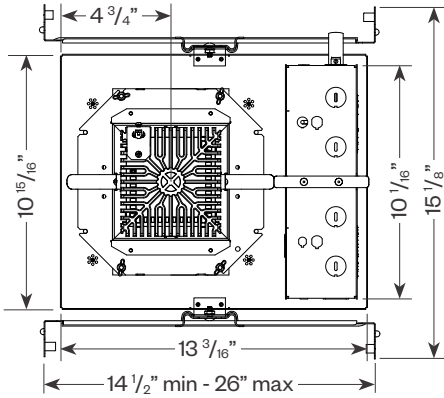
Square Lensed Downlight/Wall Wash



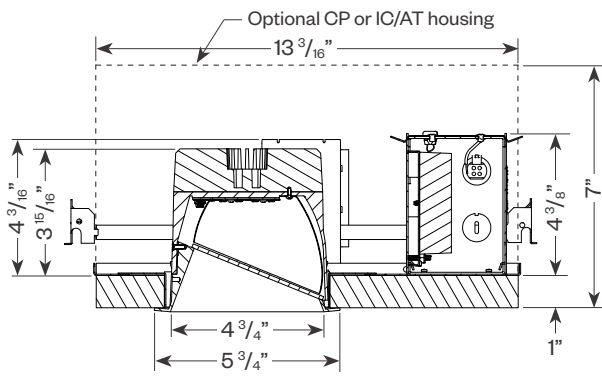
PROJECT:

TYPE:

## Product Details - Square Lensed Wall Wash (SLW)

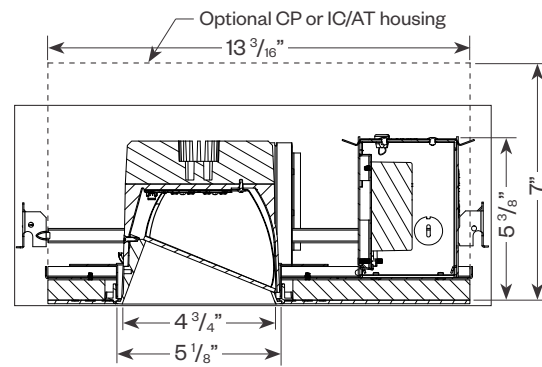


Trimmed



Ceiling cut out: 5 1/8" sq.

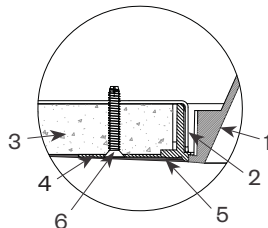
Trimless



Ceiling cut out: 5 13/16" sq.

## Plaster Frame Installation Detail (for trimless fixture only)

1. Reflector Trim
2. Aperture plate
3. Ceiling 5/8"
4. Cast Aluminum Plaster Frame
5. Plaster Skim Coat (by others)
6. 6-32 Type F Thread Cutting Screw



# Evoke<sup>®</sup> 4.75"

Square Lensed Downlight/Wall Wash



PROJECT:

TYPE:

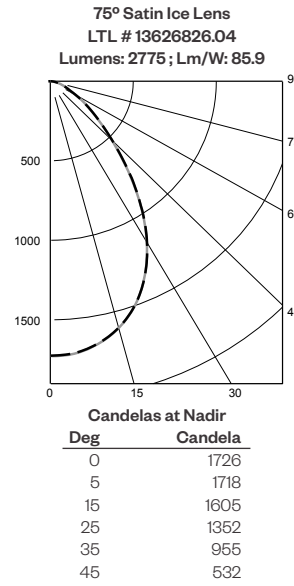
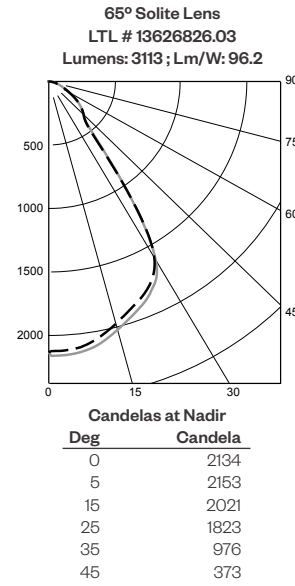
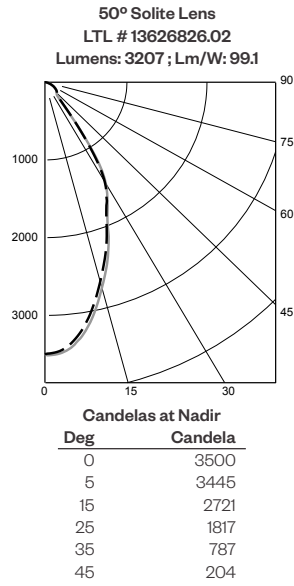
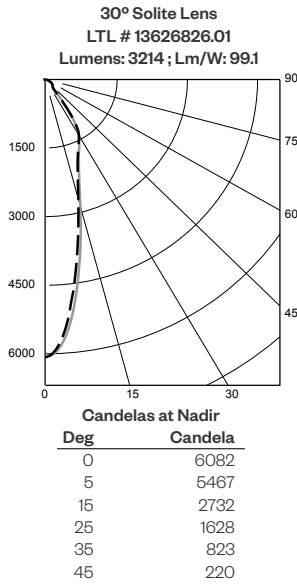
## Performance Data - Square Lensed Downlight (SLD)

Multiplying Factors: (Multiplying Factor is based on 3000K-83 120V IES file on website)

Wattage:	16W	21W	30W	34W	42W	46W
Factor:	0.47	0.62	0.88	1.0	1.24	1.33

CCT:	2700K-83	3000K-83	3500K-83	4000K-83	2700K-90+	3000K-90+	3500K-90+	4000K-90+	CRISP	3CLA
Factor:	0.96	1.0	1.02	1.04	0.83	0.86	0.90	0.93	0.65	0.70

### 34W LED, 3000K-83



## Application Data



0° Aiming Angle  
Horizontal  
Footcandles

**MULTIPLE UNITS**  
50'x50' Room, 10' Mounting Height

### 30SOL, 34W, 3000K-83 Optic

D	FC	L	W	FC on Floor (avg/max)	FC at 2.5' AFF (avg/max)
5.0'	244	2.4	2.3	82/120	85/130
7.5'	109	3.5	3.3	46/74	41/106
10.0'	62	4.6	4.4	32/65	33/100
12.5'	40	5.7	5.4		

### 50SOL, 34W, 3000K-83 Optic

D	FC	L	W	FC on Floor (avg/max)	FC at 2.5' AFF (avg/max)
5.0'	141	3.9	3.8	81/101	84/104
7.5'	63	5.8	5.7	46/58	48/73
10.0'	36	7.9	7.8	32/43	33/67
12.5'	23	10.1	9.9		

### 65SOL, 34W, 3000K-83 Optic

D	FC	L	W	FC on Floor (avg/max)	FC at 2.5' AFF (avg/max)
5.0'	86	5.6	5.6	77/98	80/100
7.5'	39	8.5	8.5	44/55	46/56
10.0'	22	11.5	11.5	30/37	32/47
12.5'	15	14.6	14.6		

### 75SAT, 34W, 3000K-83 Optic

D	FC	L	W	FC on Floor (avg/max)	FC at 2.5' AFF (avg/max)
5.0'	70	5.3	5.3	68/82	71/83
7.5'	31	8.0	8.0	38/46	40/50
10.0'	18	11.0	11.0	26/31	28/40
12.5'	12	14.2	14.2		

### Notes and Definitions:

Beam spread is to 50% center beam candlepower (CBCP).

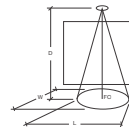
D=Distance to floor or wall.

FC=Footcandles on floor or wall at center beam aiming location.

L=Effective Visual Beam length in feet (50% of maximum footcandle level).

W=Effective Visual Beam width in feet (50% of maximum footcandle level).

CB=Distance across or down to center beam location.



# Evolve® 4.75"

## Square Lensed Downlight/Wall Wash



PROJECT:

TYPE:

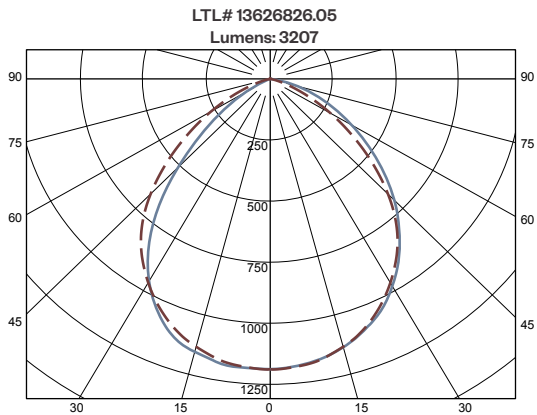
### Performance Data - Square Lensed Wall Wash (SLW)

Multiplying Factors: (Multiplying Factor is based on 3000K-83 120V IES file on website)

Wattage:	16W	21W	30W	34W	42W	46W
Factor:	0.47	0.62	0.88	1.0	1.24	1.33

CCT:	2700K-83	3000K-83	3500K-83	4000K-83	2700K-90+	3000K-90+	3500K-90+	4000K-90+	CRISP	3CLA
Factor:	0.96	1.0	1.02	1.04	0.83	0.86	0.90	0.93	0.65	0.70

### 34W 3000K-83



**ZONAL LUMEN SUMMARY**

Zone	Lumens	%Fixt
0-40	1539	54.3
0-60	2464	87
0-90	2833	100.00
90-180	0	0.00

Luminaire Efficacy: 87.6 Lm/W

### Application Data (footcandles on wall)

Footcandles are average and rounded off. Data for multiple units are based on a minimum of five units.

#### 2 Feet from Wall

Distance from ceiling	← 2' →		← 2' →		
	1	2	3	4	
0.5'	52	46	53	46	52
1.5'	134	131	137	131	134
2.5'	123	127	128	126	122
3.5'	90	94	95	94	90
4.5'	64	67	68	67	64
5.5'	46	48	49	48	46
6.5'	35	36	37	36	35
7.5'	27	28	29	28	27
8.5'	23	23	24	23	22

#### 2 Feet from Wall

Distance from ceiling	← 3' →		← 3' →				
	1	2	3	4			
0.5'	45	31	31	45	31	32	45
1.5'	101	85	86	101	85	86	102
2.5'	89	86	86	90	86	86	89
3.5'	66	66	66	68	66	66	66
4.5'	48	49	50	50	50	49	48
5.5'	36	37	38	38	38	37	36
6.5'	28	29	29	30	29	29	28
7.5'	23	23	24	24	24	23	23
8.5'	19	20	20	20	20	20	19

#### 3 Feet from Wall

Distance from ceiling	← 3' →		← 3' →				
	1	2	3	4			
0.5'	16	15	15	17	15	15	17
1.5'	50	48	48	51	48	48	50
2.5'	63	63	63	65	63	63	64
3.5'	59	60	61	62	61	60	60
4.5'	50	52	52	53	52	52	50
5.5'	41	42	43	43	43	42	41
6.5'	34	35	35	35	35	35	34
7.5'	28	29	29	30	29	29	28
8.5'	24	24	25	25	25	25	25

# Evoke<sup>®</sup> 4.75"

Square Lensed Downlight/Wall Wash



<b>PROJECT:</b>	<b>TYPE:</b>
-----------------	--------------

**Dimming Compatibility**

Amerlux<sup>®</sup> Evoke<sup>®</sup> fixtures are compatible with all major dimming protocols prevalent in the United States. Please see below for general compatibilities and wiring diagrams. Amerlux recommends testing your unique dimming configuration as the exact full configuration (*Dimmer, Fixture Quantity, Voltage, etc*) may affect dimming performance.

**--- NOTE: INFORMATION BELOW IS FOR WIRED DIMMERS ONLY. FOR WIRELESS DIMMERS, CONSULT FACTORY ---**

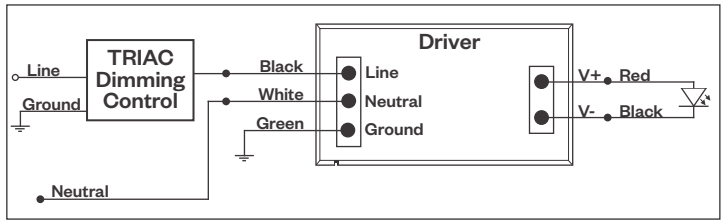
**TRIAC (Forward Phase) Dimming**

Utilizes standard TRIAC dimmers that are in wide use in installations across the US. Best for retrofit applications where TRIAC dimmers are installed.

**Notes:**

- 120VAC or 277VAC\*
- Dims down to 5% light output (*most cases*)
- Consult Dimming manufacturer for installation instructions - **DO NOT SHARE NEUTRALS!**
- Must meet dimmer Minimum Load Requirements per dimming manufacturer

**TRIAC Wiring Diagram**



Compatible Dimmers <sup>†</sup> :	
Wall Box (TRIAC 120VAC)	Central System
Lutron "Diva"	Lutron "GP" Panel
Lutron "Nova-T"	Lutron Grafik Eye QS
Lutron "Maestro"	
Lutron "Skylark"	

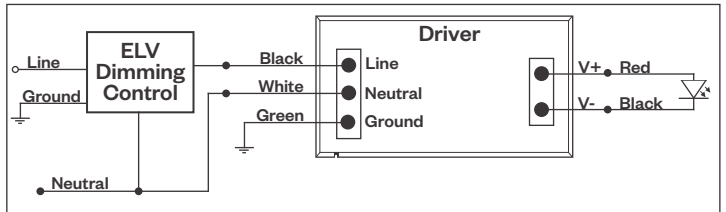
**ELV - Electronic Low Voltage (Reverse Phase) Dimming**

Utilizes specialized "ELV" dimmers.

**Notes:**

- 120VAC or 277VAC\*
- Dims down to 5% light output (*most cases*)
- Consult Dimming manufacturer for installation instructions - **DO NOT SHARE NEUTRALS!**
- Must meet dimmer Minimum Load Requirements per dimming manufacturer

**ELV Wiring Diagram**



Compatible Dimmers <sup>†</sup> :		
Wall Box (ELV 120VAC)	Wall Box (ELV 277VAC)	Central System
Lutron "Diva"	Leviton Revoir II AWSMT-E	Lutron "GP" Panel with PHPM-PA 120/277VAC
Lutron "Nova-T"		Lutron Grafik Eye QS with PHPM-PA 120/277VAC
Lutron "Maestro"		
Lutron "Skylark"		
Leviton "Surslide"		
Leviton "Vizio"		

**Notes:**  
 \* Driver is 277VAC dimmable with appropriate dimmer (*by others*). All provided wiring diagrams show 120VAC wiring colors and method. Please refer to 277VAC dimmer installation instructions for 277VAC wiring diagrams.  
 † The absence of a dimmer from the lists above does not imply incompatibility. Please consult factory for compatibility inquiries.



# Evoke® 4.75"

## Square Lensed Downlight/Wall Wash



**PROJECT:**

**TYPE:**

### Dimming Compatibility (continued)

Amerlux® Evoke® fixtures are compatible with all major dimming protocols prevalent in the United States. Please see below for general compatibilities and wiring diagrams. Amerlux recommends testing your unique dimming configuration as the exact full configuration (*Dimmer, Fixture Quantity, Voltage, etc*) may affect dimming performance.

**--- NOTE: INFORMATION BELOW IS FOR WIRED DIMMERS ONLY. FOR WIRELESS DIMMERS, CONSULT FACTORY ---**

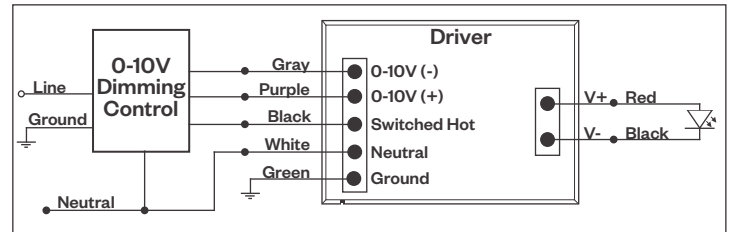
#### 0-10V Dimming

Integrates into a variety of building management and daylighting controls

**Notes:**

- 120VAC or 277VAC\*
- Dims down to 1% light output
- Requires interface to turn off power to driver
- Consult Dimming manufacturer for installation instructions - **DO NOT SHARE NEUTRALS!**

#### 0-10V Wiring Diagram



**Compatible Dimmers\*:**

Wall Box		Central System
Lutron "Diva" - DVSTV	Leviton Renoir II 0-10V	Lutron Grafik Eye with GRX-TVI Interface

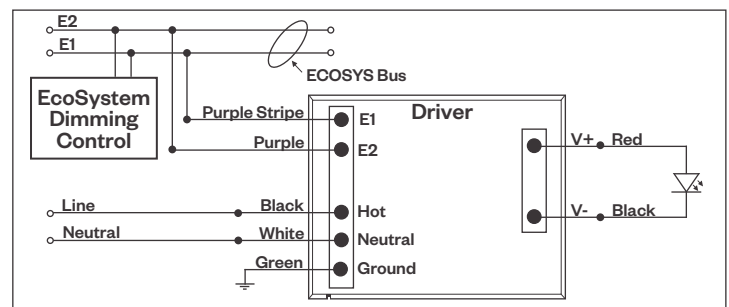
#### Lutron LDE1 Dimming

Integrates into Lutron EcoSystem building management

**Notes:**

- 120VAC or 277VAC\*
- Dims down to 1% Soft-On/Fade-to-Black
- EcoSystem Control
- Consult Dimming manufacturer for installation instructions - **DO NOT SHARE NEUTRALS!**

#### LDE1 (HILUME-H-ECO) EcoSystem Digital Control Wiring Diagram



**Compatible Dimmers\*:**

Lutron ECO System	Central System
Pow Pak Dimming Modules	Lutron EcoSystem compatible controls
Energi Savr Node	
Grafik Eye QS/Homeworks	
QS Control Unit	
Quantum Hub	
Homeworks QS/My Room	

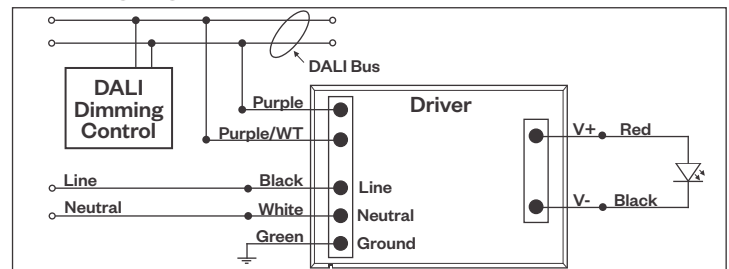
#### DALI Dimming

Digital control protocol allows individual fixture control

**Notes:**

- 120VAC - 277VAC\*
- Dims down to 1% light output in most cases

#### DALI Wiring Diagram



**Compatible Dimmers\*:**

Wall Box (3-Wire Fluorescent)	Central System
Leviton CD250 Controller	Dynalite
	Fifth Light

**Notes:**

\* Driver is 277VAC dimmable with appropriate dimmer (*by others*). All provided wiring diagrams show 120VAC wiring colors and method. Please refer to 277VAC dimmer installation instructions for 277VAC wiring diagrams.

† The absence of a dimmer from the lists above does not imply incompatibility. Please consult factory for compatibility inquiries.

