

Evoke® 4.75"

Square Adjustable HP



PROJECT:

TYPE:

Features

The second generation Evoke 4.75 now incorporates a High Performance LED module providing impressive performance, higher lumen delivery and consistent color. Features the fit, finish and attention to detail of the existing Evoke line that you've loved since its introduction in 2006. Available in Round or Square aperture. Suitable for a variety of lighting schemes featuring general accent task and display applications Evoke 4.75" HP gives architects and lighting designers the flexibility to complete sustainable lighting designs.



E4.75SA-HP

Product Overview

Type: Recessed Round Adjustable
 Wattage: 11W, 18W, 20W
 Color Temp: 2200K, 2700K, 3000K, 3500K, 4000K
 CRI: 83 typ. (2700K, 3000K, 3500K, 4000K)
 90+ typ. (2200K, 2700K, 3000K, 3500K, 4000K)
 CrispWhite (18W max) & 3K Class A LEDs available

Dimming: TRIAC & ELV, 5% Dim, 120/277VAC
 Lutron LDE1 Hi-lume® 1% Soft-On/Fade-to-Black, 120/277VAC
 0-10V, 1% Dim, 120/277VAC
 DALI, 1% Dim, 120/277VAC

Certifications



Fixture Summary

Fixture Type

Round/Square	New Construction	Trim	Trimless
Yes	Yes	Yes	Yes

See separate spec sheet for Round trim.

Electrical Data

Voltage	11W		18W*		20W*	
	System Watts	Amps	System Watts	Amps	System Watts	Amps
120V	11	0.09	18	0.15	20	.17
277V	11	0.04	18	0.06	20	0.07

Electronic constant current LED driver.

11W is inherently protected.

*Includes thermal protector, 2W power consumption.

Evoke® 4.75"

Square Adjustable HP



PROJECT:	TYPE:
-----------------	--------------

Ordering Information - Housing/Frame

	1	2	3	4	5	6	7	8							
1	Model				2	Style			3	Wattage				4	Voltage
	For New Construction E4.75SA-HP-NC-A17 (New Construction) E4.75SA-HP-CP-A17 (Chicago Plenum (CCEA)) E4.75SA-HP-IC-A17 (Insulated Ceiling/air tight, 11W & 18W only)					T - trimmed TL - trimless (not available for use with Grid ceiling)				11 18 20 (not available for use with IC housing)					120 277 120/277 (for use with IC housing only)
5	Beam Spread				6	Color Temp									
	SP spot, 15° NF narrow flood, 22° MFL medium flood, 25° FL flood, 28° WF wide flood, 45°					83 CRI 27 2700K-83 30 3000K-83 35 3500K-83 40 4000K-83	90+ CRI 229 2200K-90+ 279 2700K-90+ 309 3000K-90+ 359 3500K-90+ 409 4000K-90+	CRISP* CrispWhite (18W max) 3CLA 3K Class A							
7	Driver (for non-dimming, select LE/TE option)					8	Options/Accessories								
	LE/TE TRIAC/ELV dimming, 5% dim HILUME-H-ECO Lutron LDE1 Hi-lume® 1% dim Soft-On/Fade-to-Black 0-10V 0-10V dimming; 1% dim DALI DALI dimming; 1% dim						HB49 hanger bars from min 29" to max 49"								

Ordering Information - Trim

E4.75SA-HP-A17			
	1	2	3
1	Model		
	E4.75SA-HP-A17		
2	Style		
	T - trimmed TL - trimless (not available for use with Grid ceiling)		
3	Finish		
	MWW matte white, white flange MBW matte black, white flange SLVW matte silver, white flange MBB matte black, black flange MBB matte black, black flange		For Trimless Fixture MW matte white MB matte black SLV matte silver

Evoke® 4.75"

Square Adjustable HP



PROJECT:

TYPE:

Specifications

Application

Retail and commercial accent and display lighting

Construction

20 ga. steel painted matte black
Formed aperture plate
Cast aluminum plaster frame with perforated face (for trimless fixture only)
Integral adjustable locking mounting bars
Thermally protected (18W & 20W only)
Die-cast lamp housing and heatsink

Trim Construction

Die-cast aluminum seamless trim

Optical

0-35° lockable tilt, 360°+ rotation
Beam Spreads: Spot, 15°; Narrow Flood, 22°; Medium Flood, 25°;
Flood, 28°; Wide Flood, 45°

LED

Color Temp Options: 2200K, 2700K, 3000K, 3500K, 4000K
CRI: 83 typ. (2700K, 3000K, 3500K, 4000K)
90+ typ. (2200K, 2700K, 3000K, 3500K, 4000K)
CrispWhite* and Class A** LEDs available (see description below)
R9 Values: 11 (83 CRI), 55 (92 CRI)
Binning: 3 MacAdam (SDCM)
Life: 50,000+ hrs, > 70% of initial lumens at 50,000 hrs

* *CrispWhite: CrispWhite Technology delivers the warmth of colors expected from a high 90 CRI solution but also creates the natural crisp white color that is pleasing to the eye. It creates the most impactful lighting ever available, by revealing the richest whites and vibrant colors that pop.*

** *Class A LED: Class A LED's have a CRI > 80 and a GAI > 80. CRI defines color "Naturalness" and GAI defines color "Saturation." Both being high delivers rich colors and pure whites.*

Electrical

Wattage: 11W, 18W, 20W
Electronic constant current LED driver, 120/277VAC input
This product complies with IEEE C62.41 for surge endurance up to 2.5KV. Amerlux® recommends using additional surge protection with this unit (supplied by others), surge and over voltage damage is not covered under warranty.

Drivers

LE/TE - Leading Edge (Triac, Forward Phase) or Trailing Edge (ELV, Reverse Phase)
0-10V, Lutron and DALI systems also available
See pages 5-6 for more dimming information

Finish

Wet paint
Consult factory for custom finishes

Mounting

26" Hanger bars included
Optional **HB49** - hanger bars from min 29" to max 49" available
Trimmed Fixture
For use in grid or sheetrock ceilings, max ceiling thickness 1"
Trimless Fixture
For use in sheetrock ceilings, max ceiling thickness 5/8"

Certifications

CSA approved to UL standards as tested by CSA
Chicago Plenum (CCEA) option
IC/AT rated option (11W & 18W only)

Warranty

5 year limited warranty

Evoke® 4.75"

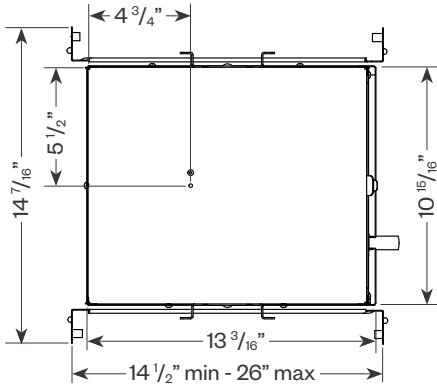
Square Adjustable HP



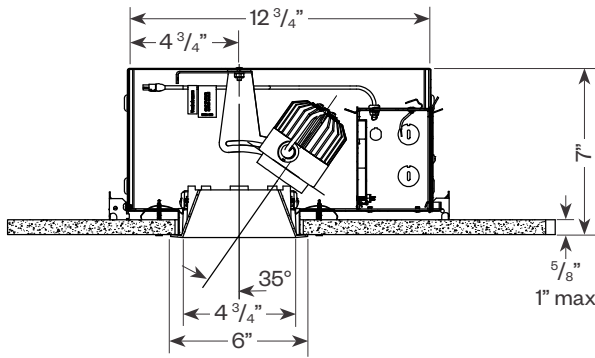
PROJECT:

TYPE:

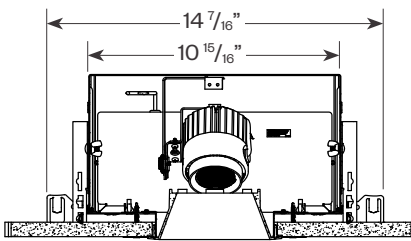
Product Details



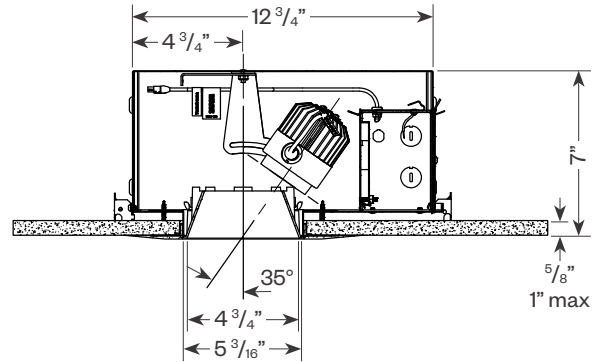
Trimmed



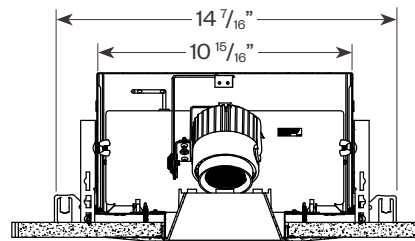
Ceiling cut out: 5 1/4" sq.



Trimless

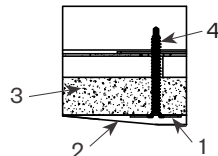


Ceiling cut out: 5 7/8" sq.



Plaster Frame Installation Detail (for trimless fixture only)

1. Cast Aluminum Plaster Frame
2. Plaster Skim Coat (by others)
3. Ceiling
4. Sheetrock Screw



Evolve[®] 4.75"

Square Adjustable HP



PROJECT:

TYPE:

Dimming Compatibility

Amerlux[®] Classix[®] fixtures are compatible with all major dimming protocols prevalent in the United States. Please see below for general compatibilities and wiring diagrams. Amerlux recommends testing your unique dimming configuration as the exact full configuration (*Dimmer, Fixture Quantity, Voltage, etc*) may affect dimming performance.

--- NOTE: INFORMATION BELOW IS FOR WIRED DIMMERS ONLY. FOR WIRELESS DIMMERS, CONSULT FACTORY ---

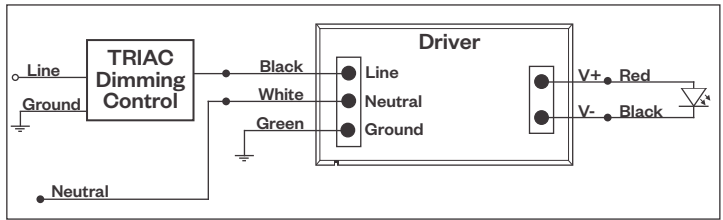
TRIAC (Forward Phase) Dimming

Utilizes standard TRIAC dimmers that are in wide use in installations across the US. Best for retrofit applications where TRIAC dimmers are installed.

Notes:

- 120VAC or 277VAC*
- Dims down to 5% light output (*most cases*)
- Consult Dimming manufacturer for installation instructions - **DO NOT SHARE NEUTRALS!**
- Must meet dimmer Minimum Load Requirements per dimming manufacturer

TRIAC Wiring Diagram



Compatible Dimmers†:	
Wall Box (TRIAC 120VAC)	Central System
Lutron "Diva"	Lutron "GP" Panel
Lutron "Nova-T"	Lutron Grafik Eye QS
Lutron "Maestro"	
Lutron "Skylark"	

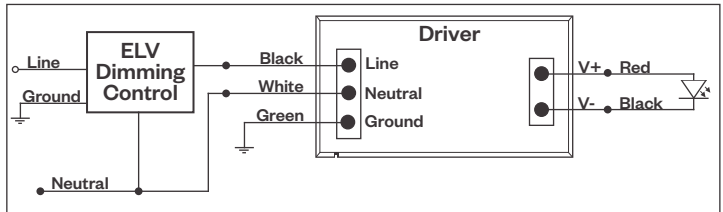
ELV - Electronic Low Voltage (Reverse Phase) Dimming

Utilizes specialized "ELV" dimmers.

Notes:

- 120VAC or 277VAC*
- Dims down to 5% light output (*most cases*)
- Consult Dimming manufacturer for installation instructions - **DO NOT SHARE NEUTRALS!**
- Must meet dimmer Minimum Load Requirements per dimming manufacturer

ELV Wiring Diagram



Compatible Dimmers†:		
Wall Box (ELV 120VAC)	Wall Box (ELV 277VAC)	Central System
Lutron "Diva"	Leviton Revoir II AWSMT-E	Lutron "GP" Panel with PHPM-PA 120/277VAC
Lutron "Nova-T"		Lutron Grafik Eye QS with PHPM-PA 120/277VAC
Lutron "Maestro"		
Lutron "Skylark"		
Leviton "Surslide"		
Leviton "Vizio"		

Notes:

* Driver is 277VAC dimmable with appropriate dimmer (*by others*). All provided wiring diagrams show 120VAC wiring colors and method. Please refer to 277VAC dimmer installation instructions for 277VAC wiring diagrams.

† The absence of a dimmer from the lists above does not imply incompatibility. Please consult factory for compatibility inquiries.

Evoke® 4.75"

Square Adjustable HP



PROJECT:

TYPE:

Dimming Compatibility (continued)

Amerlux® Classix® fixtures are compatible with all major dimming protocols prevalent in the United States. Please see below for general compatibilities and wiring diagrams. Amerlux recommends testing your unique dimming configuration as the exact full configuration (*Dimmer, Fixture Quantity, Voltage, etc*) may affect dimming performance.

--- NOTE: INFORMATION BELOW IS FOR WIRED DIMMERS ONLY. FOR WIRELESS DIMMERS, CONSULT FACTORY ---

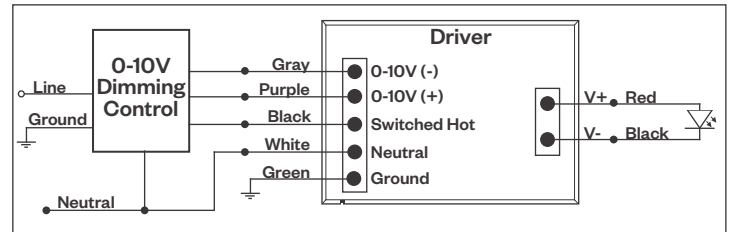
0-10V Dimming

Integrates into a variety of building management and daylighting controls

Notes:

- 120VAC or 277VAC*
- Dims down to 1% light output
- Requires interface to turn off power to driver
- Consult Dimming manufacturer for installation instructions - **DO NOT SHARE NEUTRALS!**

0-10V Wiring Diagram



Compatible Dimmers*:

Wall Box

Central System

Lutron "Diva" - DVSTV	Leviton Renoir II 0-10V	Lutron Grafik Eye with GRX-TVI Interface
-----------------------	-------------------------	--

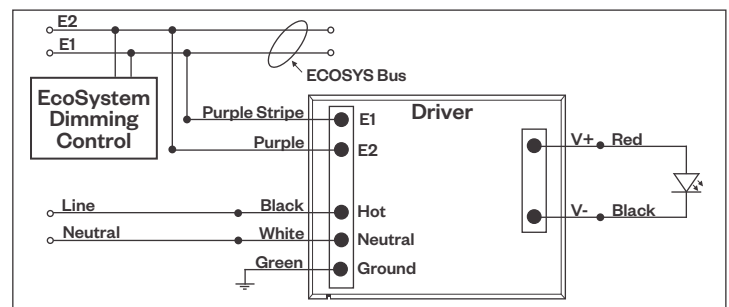
Lutron LDE1 Dimming

Integrates into Lutron EcoSystem building management

Notes:

- 120VAC or 277VAC*
- Dims down to 1% Soft-On/Fade-to-Black
- EcoSystem Control
- Consult Dimming manufacturer for installation instructions - **DO NOT SHARE NEUTRALS!**

LDE1 (HILUME-H-ECO) EcoSystem Digital Control Wiring Diagram



Compatible Dimmers*:

Lutron ECO System

Central System

Pow Pak Dimming Modules	Lutron EcoSystem compatible controls
Energi Savr Node	
Grafik Eye QS/Homeworks	
QS Control Unit	
Quantum Hub	
Homeworks QS/My Room	

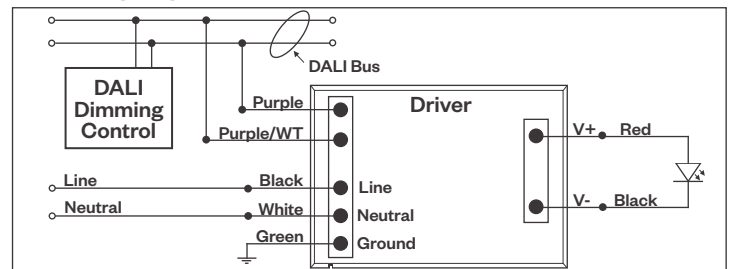
DALI Dimming

Digital control protocol allows individual fixture control

Notes:

- 120VAC - 277VAC*
- Dims down to 1% light output in most cases

DALI Wiring Diagram



Compatible Dimmers*:

Wall Box (3-Wire Fluorescent)

Central System

Leviton CD250 Controller	Dynalite
	Fifth Light

Notes:

* Driver is 277VAC dimmable with appropriate dimmer (*by others*). All provided wiring diagrams show 120VAC wiring colors and method. Please refer to 277VAC dimmer installation instructions for 277VAC wiring diagrams.

† The absence of a dimmer from the lists above does not imply incompatibility. Please consult factory for compatibility inquiries.