

Evoke® 4.75"

Square Adjustable C3



PROJECT:

TYPE:

Features

The Evoke® 4.75 C3 provides many wattage options, ranging from 18 watts to 33 watts with impressive performance, higher lumen delivery and consistent color. Available in Round or Square aperture in a trimmed or trimless version. Suitable for a variety of lighting schemes featuring general accent task and display applications Evoke® 4.75" C3 gives architects and lighting designers the flexibility to complete sustainable lighting designs.



E4.75SA-C3

Product Overview

Type: Recessed Square Adjustable
 Wattage: 18W, 21W, 25W, 29W, 33W
 Color Temp: 2700K, 3000K, 3500K, 4000K
 CRI: 83 typ. or 90+ typ.
 CrispWhite & 3K Class A LEDs available
 Dimming: TRIAC & ELV, 5% Dim, 120/277VAC
 0-10V, 1% Dim, 120/277VAC
 DALI, 1% Dim, 120/277VAC

Certifications



Fixture Summary

Fixture Type

Round	New Construction	Trim	Trimless
Yes	Yes	Yes	Yes

Ceiling Type

Gyp Board	Acoustical Tile	Tech Zone	Millwork*	
5/8" - 1"	3/4" - 2"	6"	3/4"	1-1/2"

* Trimmed only

26" Hanger Bars included. Consult factory for hanger bars greater than 26"

Electrical Data

	18W		21W		25W		29W		33W	
Voltage	System Watts	Amps	System Watts	Amps	System Watts	Amps	System Watts	Amps	System Watts	Amps
120V	18	0.15	21	0.18	25	0.21	29	0.24	33	0.28
277V	18	0.06	21	0.08	25	0.08	29	0.10	33	0.12

Electronic constant current LED driver.

Evolve® 4.75"

Square Adjustable C3



PROJECT:	TYPE:
-----------------	--------------

Ordering Information - Housing/Frame

	1	2	3	4	5	6	7	8	
1	Model	2	Style	3	Wattage	4	Voltage	5	Beam Spread
	<p><u>For New Construction</u></p> <p>E4.75SA-C3-NC-A17 (New Construction)</p> <p>E4.75SA-C3-CP-A17 (Chicago Plenum (COEA))</p>		<p>T - trimmed</p> <p>TL - trimless (not available for use with Grid ceiling)</p>	<p>18</p> <p>21</p> <p>25</p> <p>29</p> <p>33</p>		<p>120</p> <p>277</p>		<p>NSP* narrow spot, 10°</p> <p>SP spot, 15°</p> <p>FL flood, 25°</p> <p>WF wide flood, 40°</p> <p><i>*Based on availability, lead times vary, consult factory.</i></p>	
6	Color Temp			7	Driver (for non-dimming, select LE/TE option)		8		Options/Accessories
	<p>83 CRI 90+ CRI</p> <p>27 2700K-83 279 2700K-90+ CRISP* CrispWhite</p> <p>30 3000K-83 309 3000K-90+ 3CLA* 3K Class A</p> <p>35 3500K-83 359 3500K-90+</p> <p>40 4000K-83 409 4000K-90+</p> <p><i>* Not available with NSP beam spread</i></p>				<p>LE/TE TRIAC/ELV dimming, 5% dim</p> <p>HILUME-H-ECO Lutron LDE1 Hi-lume®</p> <p>1% dim Soft-On/Fade-to-Black</p> <p>0-10V 0-10V dimming; 1% dim</p> <p>DALI DALI dimming; 1% dim</p>			<p>HB49 hanger bars from min 29" to max 49"</p> <p>HEX hexcell louver</p> <p>SOL solite beam softening lens</p>	

Ordering Information - Trim

E4.75SA-C3-A17															
	1	2	3												
1	Model	2	3												
	E4.75SA-C3-A17	<p>T - trimmed</p> <p>TL - trimless (not available for use with Grid ceiling)</p>	<table style="width: 100%; border: none;"> <tr> <td style="border: none;"><u>For Trimmed Fixture</u></td> <td style="border: none;"><u>For Trimless Fixture</u></td> </tr> <tr> <td style="border: none;">MWW matte white, white flange</td> <td style="border: none;">MW matte white</td> </tr> <tr> <td style="border: none;">MBW matte black, white flange</td> <td style="border: none;">MB matte black</td> </tr> <tr> <td style="border: none;">SLVW matte silver, white flange</td> <td style="border: none;">SLV matte silver</td> </tr> <tr> <td style="border: none;">MBB matte black, black flange</td> <td></td> </tr> <tr> <td style="border: none;">MBB matte black, black flange</td> <td></td> </tr> </table>	<u>For Trimmed Fixture</u>	<u>For Trimless Fixture</u>	MWW matte white, white flange	MW matte white	MBW matte black, white flange	MB matte black	SLVW matte silver, white flange	SLV matte silver	MBB matte black, black flange		MBB matte black, black flange	
<u>For Trimmed Fixture</u>	<u>For Trimless Fixture</u>														
MWW matte white, white flange	MW matte white														
MBW matte black, white flange	MB matte black														
SLVW matte silver, white flange	SLV matte silver														
MBB matte black, black flange															
MBB matte black, black flange															

Evoke® 4.75"

Square Adjustable C3



PROJECT:

TYPE:

Specifications

Application

Retail and commercial accent and display lighting

Construction

20 ga. steel painted matte black
Formed aperture plate with 5/8" lip
Cast aluminum plaster frame with perforated face (*for trimless fixture only*)
Integral adjustable locking mounting bars
Thermally protected
Die-cast lamp housing and heat sink

Reflector Construction

Die-cast aluminum seamless trim
Steel mounting ring with torsion spring

Optical

0-35° tilt, 360°+ rotation
Beam Spreads: Narrow Spot, 10°; Spot, 15°; Flood, 25°; Wide Flood, 40°

LED

Color Temp Options: 2700K, 3000K, 3500K, 4000K
CRI: 83 typ. or 90+ typ.
CrispWhite* and Class A** LEDs available
R9 Values: 11 (83 CRI), 55 (92 CRI)
Binning: 3 MacAdam (SDCM)
Life: 50,000+ hrs, > 70% of initial lumens at 50,000 hrs
** CrispWhite: CrispWhite Technology delivers the warmth of colors expected from a high 90 CRI solution but also creates the natural crisp white color that is pleasing to the eye. It creates the most impactful lighting ever available, by revealing the richest whites and vibrant colors that pop.*
*** Class A LED: Class A LED's have a CRI > 80 and a GAI > 80. CRI defines color "Naturalness" and GAI defines color "Saturation." Both being high delivers rich colors and pure whites.*

Electrical

Wattage: 18W, 24W, 25W, 29W, 33W
Electronic constant current LED driver, 120/277VAC input
This product complies with IEEE C62.41 for surge endurance up to 2.5KV. Amerlux® recommends using additional surge protection with this unit (supplied by others), surge and over voltage damage is not covered under warranty.

Drivers

LE/TE - Leading Edge (*Triac, Forward Phase*) or Trailing Edge (*ELV, Reverse Phase*)
0-10V and DALI systems also available
See pages 5-6 for more dimming information

Finish

Powder Coat/Wet paint
Consult factory for custom finishes

Mounting

26" Hanger bars included
Optional **HB49** - hanger bars from min 29" to max 49" available
Trimmed Fixture
For use in grid or sheetrock ceilings, max ceiling thickness 1"
Trimless Fixture
For use in sheetrock ceilings, max ceiling thickness 5/8"

Certifications

CSA damp as tested to UL 1598 standards
Chicago Plenum (CCEA) option

Warranty

5 year limited warranty

Evolve[®] 4.75"

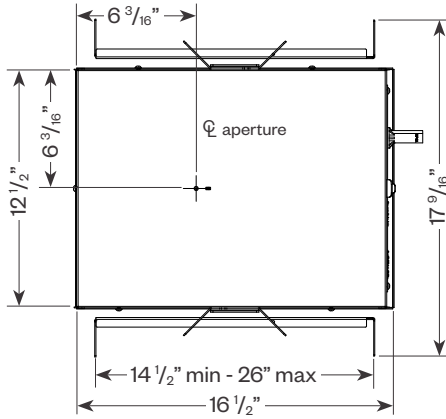
Square Adjustable C3



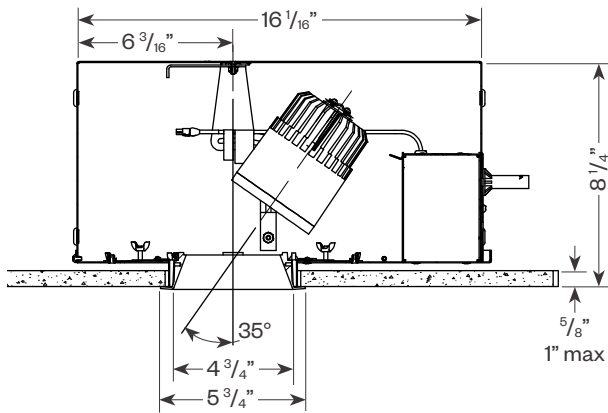
PROJECT:

TYPE:

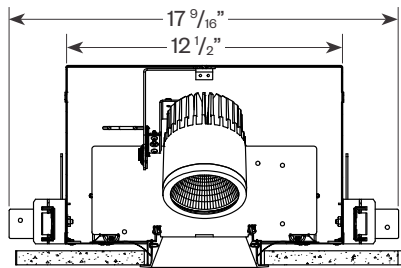
Product Details



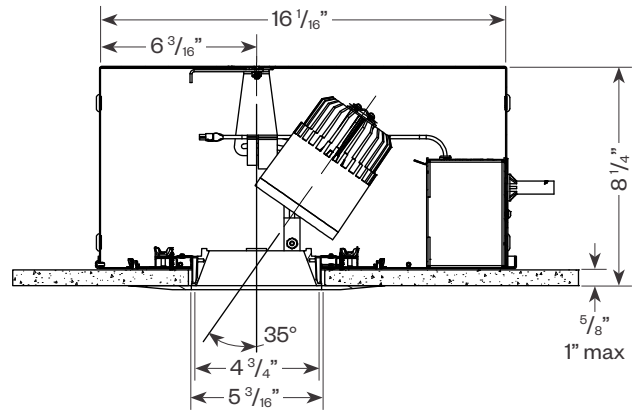
Trimmed



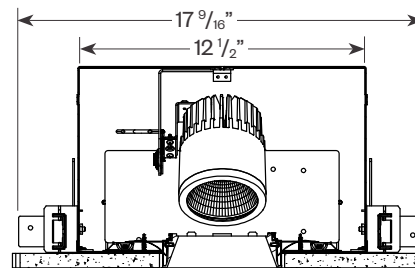
Ceiling cut out: $5\frac{1}{4}$ " sq.



Trimless

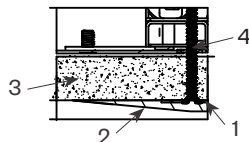


Ceiling cut out: $5\frac{7}{8}$ " sq.



Plaster Frame Installation Detail (for trimless fixture only)

1. Cast Aluminum Plaster Frame
2. Plaster Skim Coat (by others)
3. Ceiling
4. Sheetrock Screw



Evolve[®] 4.75"

Square Adjustable C3



PROJECT:

TYPE:

Performance Data

Multiplying Factors: (Multiplying Factor is based on 3000K-83 120V IES file on website)

OCT:	2700K-83	3000K-83	3500K-83	4000K-83
Factor:	0.96	1.0	1.02	1.04

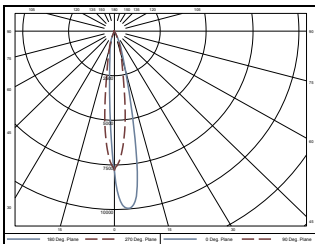
Wattage:	18W	21W	25W	29W	33W
Factor:	1.0	1.2	1.4	1.6	*

* For 33W data see page 6

OCT:	2200K-90+	2700K-90+	3000K-90+	3500K-90+	4000K-90+	CRISP	3CLA
Factor:	0.71	0.80	0.83	0.87	0.90	0.65	0.75

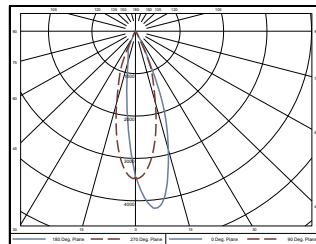
18W LED, 3000K-83

Spot (SP) Distribution, 15°
LTL # 1167042
Lumens: 1093 lm



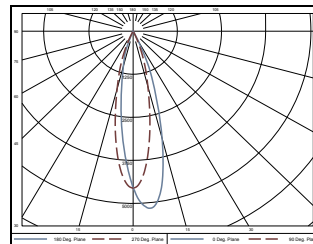
Candelas at Nadir	
Deg	Candela
0	7815
5	9947
15	2437
25	398
35	7
45	3

Flood (FL) Distribution, 25°
LTL # 1167041
Lumens: 1045 lm



Candelas at Nadir	
Deg	Candela
0	3441
5	4148
15	2870
25	534
35	24
45	2

Wide Flood (WF) Distribution, 40°
LTL # 1167043
Lumens: 1108 lm



Candelas at Nadir	
Deg	Candela
0	4558
5	5160
15	3236
25	807
35	27
45	3

Application Data

Notes and Definitions:

Beam spread is to 50% center beam candlepower (CBCP).

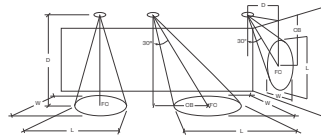
D=Distance to floor or wall.

FC=Footcandles on floor or wall at center beam aiming location.

L=Effective Visual Beam length in feet (50% of maximum footcandle level).

W=Effective Visual Beam width in feet (50% of maximum footcandle level).

CB=Distance across or down to center beam location.



0° Aiming Angle
Horizontal
Footcandles

	D	FC	L	W
SPOT	5.0'	201	2.2	1.9
	7.5'	119	2.5	2.6
	10.0'	81	2.9	3.1
	12.5'	56	3.4	3.7
FLOOD	5.0'	121	2.6	2.8
	7.5'	66	3.3	3.9
	10.0'	39	4.3	5.1
	12.5'	25	5.3	6.3
WIDE FLOOD	5.0'	145	2.6	2.5
	7.5'	77	3.5	3.3
	10.0'	47	4.4	4.2
	12.5'	31	5.4	5.3

Evolve[®] 4.75"

Square Adjustable C3



PROJECT:	TYPE:
-----------------	--------------

Performance Data

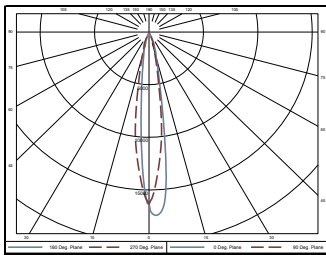
Multiplying Factors: (Multiplying Factor is based on 3000K-83 120V IES file on website)

CCT:	2700K-83	3000K-83	3500K-83	4000K-83	Wattage:	18W	21W	25W	29W	33W	* For 18W data see page 5
Factor:	0.96	1.0	1.02	1.04	Factor:	*	0.64	0.76	0.89	1.0	

CCT:	2200K-90+	2700K-90+	3000K-90+	3500K-90+	4000K-90+	CRISP	3CLA
Factor:	0.71	0.80	0.83	0.87	0.90	0.65	0.75

33W LED, 3000K-83

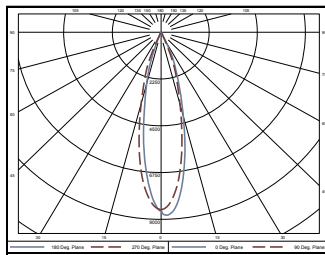
Spot (SP) Distribution, 15°
LTL # 1167045
Lumens: 1856 lm



Candelas at Nadir

Deg	Candela
0	16350
5	16410
15	2767
25	626
35	10
45	3

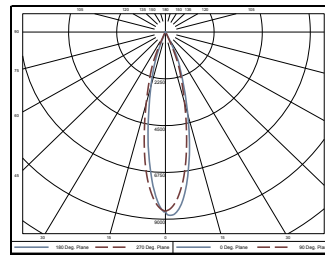
Flood (FL) Distribution, 25°
LTL # 1167044
Lumens: 1940 lm



Candelas at Nadir

Deg	Candela
0	8564
5	8344
15	3912
25	924
35	28
45	4

Wide Flood (WF) Distribution, 40°
LTL # 1167046
Lumens: 1942 lm



Candelas at Nadir

Deg	Candela
0	8632
5	8311
15	3838
25	851
35	28
45	4

Application Data

Notes and Definitions:

Beam spread is to 50% center beam candlepower (CBCP).

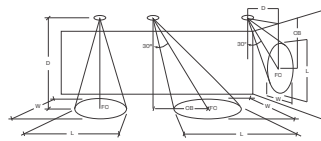
D=Distance to floor or wall.

FC=Footcandles on floor or wall at center beam aiming location.

L=Effective Visual Beam length in feet (50% of maximum footcandle level).

W=Effective Visual Beam width in feet (50% of maximum footcandle level).

CB=Distance across or down to center beam location.



0° Aiming Angle
Horizontal
Footcandles

	D	FC	L	W
SPOT	5.0'	392	1.9	1.9
	7.5'	219	2.4	2.6
	10.0'	136	3.0	3.2
	12.5'	92	3.6	3.8
FLOOD	5.0'	274	2.5	2.6
	7.5'	136	3.4	3.5
	10.0'	80	4.4	4.6
	12.5'	52	5.4	5.6
WIDE FLOOD	5.0'	275	2.5	2.5
	7.5'	137	3.4	3.5
	10.0'	81	4.4	4.5
	12.5'	53	5.4	5.5

Evolve[®] 4.75"

Square Adjustable C3



PROJECT:

TYPE:

Dimming Compatibility

Amerlux[®] Classix[®] fixtures are compatible with all major dimming protocols prevalent in the United States. Please see below for general compatibilities and wiring diagrams. Amerlux recommends testing your unique dimming configuration as the exact full configuration (*Dimmer, Fixture Quantity, Voltage, etc*) may affect dimming performance.

--- NOTE: INFORMATION BELOW IS FOR WIRED DIMMERS ONLY. FOR WIRELESS DIMMERS, CONSULT FACTORY ---

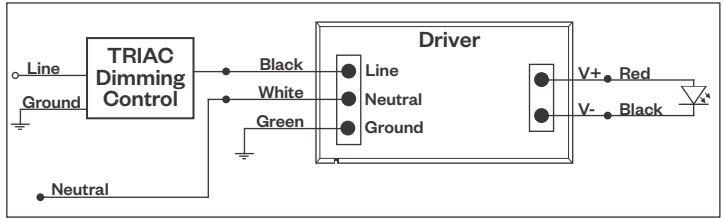
TRIAC (Forward Phase) Dimming

Utilizes standard TRIAC dimmers that are in wide use in installations across the US. Best for retrofit applications where TRIAC dimmers are installed.

Notes:

- 120VAC or 277VAC*
- Dims down to 5% light output (*most cases*)
- Consult Dimming manufacturer for installation instructions - **DO NOT SHARE NEUTRALS!**
- Must meet dimmer Minimum Load Requirements per dimming manufacturer

TRIAC Wiring Diagram



Compatible Dimmers [†] :	
Wall Box (TRIAC 120VAC)	Central System
Lutron "Diva"	Lutron "GP" Panel
Lutron "Nova-T"	Lutron Grafik Eye QS
Lutron "Maestro"	
Lutron "Skylark"	

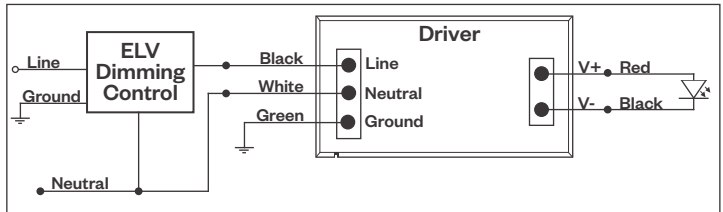
ELV - Electronic Low Voltage (Reverse Phase) Dimming

Utilizes specialized "ELV" dimmers.

Notes:

- 120VAC or 277VAC*
- Dims down to 5% light output (*most cases*)
- Consult Dimming manufacturer for installation instructions - **DO NOT SHARE NEUTRALS!**
- Must meet dimmer Minimum Load Requirements per dimming manufacturer

ELV Wiring Diagram



Compatible Dimmers [†] :		
Wall Box (ELV 120VAC)	Wall Box (ELV 277VAC)	Central System
Lutron "Diva"	Leviton Revoir II AWSMT-E	Lutron "GP" Panel with PHPM-PA 120/277VAC
Lutron "Nova-T"		Lutron Grafik Eye QS with PHPM-PA 120/277VAC
Lutron "Maestro"		
Lutron "Skylark"		
Leviton "Surslide"		
Leviton "Vizio"		

Notes:

* Driver is 277VAC dimmable with appropriate dimmer (*by others*). All provided wiring diagrams show 120VAC wiring colors and method. Please refer to 277VAC dimmer installation instructions for 277VAC wiring diagrams.

† The absence of a dimmer from the lists above does not imply incompatibility. Please consult factory for compatibility inquiries.

Evoke® 4.75"

Square Adjustable C3



PROJECT:

TYPE:

Dimming Compatibility (continued)

Amerlux® Classix® fixtures are compatible with all major dimming protocols prevalent in the United States. Please see below for general compatibilities and wiring diagrams. Amerlux recommends testing your unique dimming configuration as the exact full configuration (*Dimmer, Fixture Quantity, Voltage, etc*) may affect dimming performance.

--- NOTE: INFORMATION BELOW IS FOR WIRED DIMMERS ONLY. FOR WIRELESS DIMMERS, CONSULT FACTORY ---

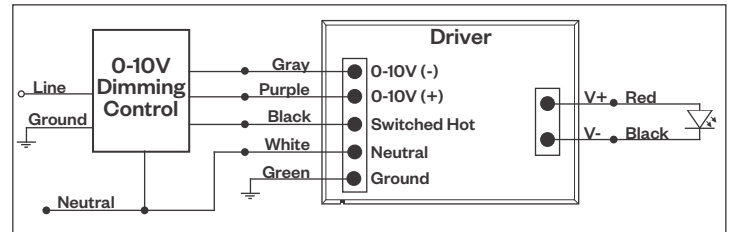
0-10V Dimming

Integrates into a variety of building management and daylighting controls

Notes:

- 120VAC or 277VAC*
- Dims down to 1% light output
- Requires interface to turn off power to driver
- Consult Dimming manufacturer for installation instructions - **DO NOT SHARE NEUTRALS!**

0-10V Wiring Diagram



Compatible Dimmers*:

Wall Box

Central System

Lutron "Diva" - DVSTV	Leviton Renoir II 0-10V	Lutron Grafik Eye with GRX-TVI Interface
-----------------------	-------------------------	--

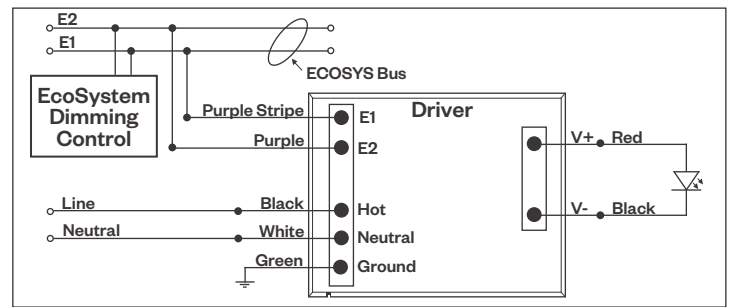
Lutron LDE1 Dimming

Integrates into Lutron EcoSystem building management

Notes:

- 120VAC or 277VAC*
- Dims down to 1% Soft-On/Fade-to-Black
- EcoSystem Control
- Consult Dimming manufacturer for installation instructions - **DO NOT SHARE NEUTRALS!**

LDE1 (HILUME-H-ECO) EcoSystem Digital Control Wiring Diagram



Compatible Dimmers*:

Lutron ECO System

Central System

Pow Pak Dimming Modules	Lutron EcoSystem compatible controls
Energi Savr Node	
Grafik Eye QS/Homeworks	
QS Control Unit	
Quantum Hub	
Homeworks QS/My Room	

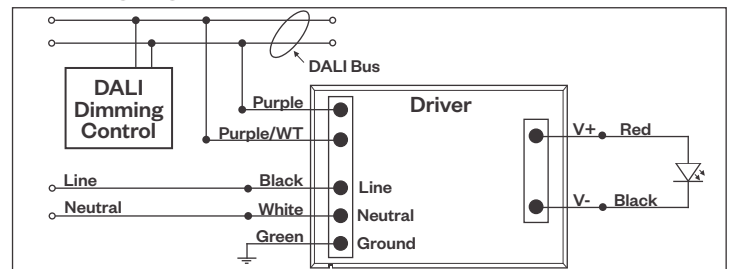
DALI Dimming

Digital control protocol allows individual fixture control

Notes:

- 120VAC - 277VAC*
- Dims down to 1% light output in most cases

DALI Wiring Diagram



Compatible Dimmers*:

Wall Box (3-Wire Fluorescent)

Central System

Leviton CD250 Controller	Dynalite
	Fifth Light

Notes:

* Driver is 277VAC dimmable with appropriate dimmer (*by others*). All provided wiring diagrams show 120VAC wiring colors and method. Please refer to 277VAC dimmer installation instructions for 277VAC wiring diagrams.

† The absence of a dimmer from the lists above does not imply incompatibility. Please consult factory for compatibility inquiries.