

Evoke® 4.75"

Round Lensed Downlight/Wall Wash



PROJECT:

TYPE:

Features

Impressive performance, high lumen delivery, consistent color. The Evoke 4.75 Round Lensed Downlight features the fit, finish, attention to detail, and performance that Evoke is known to provide. Evoke 4.75" RLD delivers the performance, energy savings and color you expect from a spec-grade LED downlight. Complimenting Wall Wash fixture available.



Product Overview

Type: Recessed Round Downlight/Wall Wash
Wattage: 16W, 21W, 30W, 34W, 42W, 46W
Color Temp: 2700K, 3000K, 3500K, 4000K
CRI: 83 typ. or 90+ typ.
 CrispWhite & 3K Class A LEDs available
Dimming: TRIAC & ELV, 5% Dim, 120/277VAC
 Lutron LDE1 Hi-lume® 1% Soft-On/Fade-to-Black, 120/277VAC
 0-10V, 1% Dim, 120/277VAC
 DALI, 1% Dim, 120/277VAC

Certifications

International version available, see website for spec sheet.



Fixture Summary

Performance Data

Downlight			
Watts	Delivered Lumens	LPW	Color Temp-CRI
16	1457	91.1	3000K-83
21	1912	91	3000K-83
30	2731	91	3000K-83
34	3096	94.4	3000K-83
42	3825	90.9	3000K-83
46	4103	88.7	3000K-83

Wall Wash			
Watts	Delivered Lumens	LPW	Color Temp-CRI
16	1165	72.8	3000K-83
21	1529	72.8	3000K-83
30	2184	72.8	3000K-83
34	2476	72.4	3000K-83
42	3059	72	3000K-83
46	3281	71.3	3000K-83

Data is based on 3000K-83 120V IES files available on website.
 Data is based on E4.75RLDS 34W with 50° Solite Lens.
 See pages 7-8 for other performance data.

Electrical Data

Voltage	16W		21W		30W		34W		42W		46W	
	System Watts	Amps	System Watts	Amps	System Watts	Amps	System Watts	Amps	System Watts	Amps	System Watts	Amps
120V	16	0.13	21	0.18	30	0.25	34	0.28	42	0.35	46	0.38
277V	16	0.06	21	0.08	30	0.11	34	0.12	42	0.15	46	0.17

Electronic constant current LED driver.
 Includes thermal protector, 2W power consumption.

Evoke® 4.75"

Round Lensed Downlight/Wall Wash



PROJECT:	TYPE:
-----------------	--------------

Ordering Information - Housing/Frame

1	2	3	4	5	6
----------	----------	----------	----------	----------	----------

1 Model	2 Style	3 Wattage
<p><u>For New Construction</u></p> <p>E4.75R-NC-A17 (New Construction)</p> <p>E4.75R-CP-A17 (Chicago Plenum, 16W, 21W & 30W only)</p> <p>E4.75R-IC-A17 (Insulated Ceiling/air tight, 16W & 21W only)</p>	<p>T - trimmed</p> <p>TL - trimless (not available for use with Grid ceiling)</p>	<p>16</p> <p>21</p> <p>30 (not for use with IC housing)</p> <p>34 (not for use with CP or IC housings)</p> <p>42 (not for use with CP or IC housings)</p> <p>46 (not for use with CP or IC housings)</p>
4 Voltage	5 Driver (for non-dimming, select LE/TE option)	6 Options/Accessories
<p>120</p> <p>277</p> <p>120/277 (for use with IC housing only)</p>	<p>LE/TE TRIAC/ELV dimming, 5% dim</p> <p>HILUME-H-ECO* Lutron LDE1 Hi-lume® 1% dim Soft-On/Fade-to-Black</p> <p>O-10V 0-10V dimming; 1% dim</p> <p>DALI DALI dimming; 1% dim</p> <p><i>* Not available for use with 46W option.</i></p>	<p>EM emergency battery pack with remote test switch (not available for use with CP or IC options)</p> <p>HB49 hanger bars from min 29" to max 49" <i>Note: 26" hanger bars are included as standard. Choose HB49 option above for larger mounting spaces only.</i></p>

Ordering Information - Trim

1	2	3	4	5	6
----------	----------	----------	----------	----------	----------

1 Model	2 Style	3 Finish																		
<p>E4.75RLDS-A17 (shallow trim)</p> <p>E4.75RLD-A17</p> <p>E4.75RLW-A17 (wall wash)</p>	<p>T - trimmed</p> <p>TL - trimless (not available for use with Grid ceiling)</p>	<table style="width: 100%; border: none;"> <tr> <td style="width: 50%; border: none;"><u>For Trimmed Fixture</u></td> <td style="width: 50%; border: none;"><u>For Trimless Fixture</u></td> </tr> <tr> <td style="border: none;">SDW semi-diffuse, white flange</td> <td style="border: none;">SD semi-diffuse</td> </tr> <tr> <td style="border: none;">SDC semi-diffuse, clear flange (flange finish matches cone finish)</td> <td style="border: none;">MW matte white</td> </tr> <tr> <td style="border: none;">MWW matte white, white flange</td> <td></td> </tr> <tr> <td style="border: none;">MBB matte black, black flange</td> <td></td> </tr> </table>	<u>For Trimmed Fixture</u>	<u>For Trimless Fixture</u>	SDW semi-diffuse, white flange	SD semi-diffuse	SDC semi-diffuse, clear flange (flange finish matches cone finish)	MW matte white	MWW matte white, white flange		MBB matte black, black flange									
<u>For Trimmed Fixture</u>	<u>For Trimless Fixture</u>																			
SDW semi-diffuse, white flange	SD semi-diffuse																			
SDC semi-diffuse, clear flange (flange finish matches cone finish)	MW matte white																			
MWW matte white, white flange																				
MBB matte black, black flange																				
4 Beam Spread	5 Color Temp	6 Options/Accessories																		
<table style="width: 100%; border: none;"> <tr> <td style="width: 50%; border: none;"><u>For RLDS/RLD trims</u></td> <td style="width: 50%; border: none;"><u>For RLW trim</u></td> </tr> <tr> <td style="border: none;">30SOL 30° solite lens</td> <td style="border: none;">WW wall wash</td> </tr> <tr> <td style="border: none;">50SOL 50° solite lens</td> <td></td> </tr> <tr> <td style="border: none;">75SAT 75° satin ice lens</td> <td></td> </tr> </table>	<u>For RLDS/RLD trims</u>	<u>For RLW trim</u>	30SOL 30° solite lens	WW wall wash	50SOL 50° solite lens		75SAT 75° satin ice lens		<table style="width: 100%; border: none;"> <tr> <td style="width: 50%; border: none;">83 CRI</td> <td style="width: 50%; border: none;">90+ CRI</td> </tr> <tr> <td style="border: none;">27 2700K-83</td> <td style="border: none;">279 2700K-90+</td> </tr> <tr> <td style="border: none;">30 3000K-83</td> <td style="border: none;">309 3000K-90+</td> </tr> <tr> <td style="border: none;">35 3500K-83</td> <td style="border: none;">359 3500K-90+</td> </tr> <tr> <td style="border: none;">40 4000K-83</td> <td style="border: none;">409 4000K-90+</td> </tr> </table>	83 CRI	90+ CRI	27 2700K-83	279 2700K-90+	30 3000K-83	309 3000K-90+	35 3500K-83	359 3500K-90+	40 4000K-83	409 4000K-90+	<p>CRISP CrispWhite</p> <p>3CLA 3K Class A</p> <p>WET wet location (not available for use with trimless option)</p>
<u>For RLDS/RLD trims</u>	<u>For RLW trim</u>																			
30SOL 30° solite lens	WW wall wash																			
50SOL 50° solite lens																				
75SAT 75° satin ice lens																				
83 CRI	90+ CRI																			
27 2700K-83	279 2700K-90+																			
30 3000K-83	309 3000K-90+																			
35 3500K-83	359 3500K-90+																			
40 4000K-83	409 4000K-90+																			

Evolve® 4.75"

Round Lensed Downlight/Wall Wash



PROJECT:

TYPE:

Specifications

Application

For E4.75RLDS/RLD

Commercial and hospitality ambient lighting

For E4.75RLW

Commercial and hospitality wall Wash lighting

Housing Construction

20 ga. galvanized steel frame

18 ga. galvanized steel splice housing and hanger brackets

Die-cast aluminum heatsink

Cast aluminum plaster frame with perforated face (*for trimless option*)

Wet location option adds silicone flange gasket

Reflector Construction

Spun aluminum self-flanged reflector, anodized finish

Optical

High reflectance, highly diffuse mixing chamber

Engineered nano technology lens provide transmission while concealing LED image

Lens options for RLDS/RLD trims

Solite Lens for maximum efficacy and visually quieter aperture in 30° or 50° distributions

Satin Ice Lens for maximum source concealment and wide distribution with a visually "hotter" aperture in 75° distribution

LED

Color Temp Options: 2700K, 3000K, 3500K, 4000K

CRI: 83 typ. or 90+ typ.

CrispWhite* and Class A** 3000K (*high CRI, high gamut*) available

R9 Values: 11 (*83 CRI*), 55 (*92 CRI*)

Binning: 3 MacAdam (*SDCM*)

Life: 50,000+ hrs, > 70% of initial lumens at 50,000 hrs

* **CrispWhite:** CrispWhite Technology delivers the warmth of colors expected from a high 90 CRI solution but also creates the natural crisp white color that is pleasing to the eye. It creates the most impactful lighting ever available, by revealing the richest whites and vibrant colors that pop.

** **Class A LED:** Class A LED's have a CRI > 80 and a GAI > 80. CRI defines color "Naturalness" and GAI defines color "Saturation." Both being high delivers rich colors and pure whites.

Electrical

Wattage: 16W, 21W, 30W, 34W, 42W, 46W

Electronic constant current LED driver, 120/277VAC input

This product complies with IEEE C62.41 for surge endurance up to 2.5KV. Amerlux® recommends using additional surge protection with this unit (supplied by others), surge and over voltage damage is not covered under warranty.

Drivers

LE/TE - Leading Edge (*Triac, Forward Phase*) or Trailing Edge (*ELV, Reverse Phase*)

0-10V, Lutron and DALI systems also available

See pages 9-11 for more dimming information

Finish

Powder coat paint/wet paint

Consult factory for custom finishes

Mounting

26" Hanger bars included

Optional **HB49** - hanger bars from min 29" to max 49" available

Trimmed Fixture

For use in grid or sheetrock ceilings, max ceiling thickness 1"

Trimless Fixture

For use in sheetrock ceilings, max ceiling thickness 5/8"

Certifications

CSA approved to UL standards as tested by CSA

Chicago Plenum (*CCEA*) (*optional, 16W, 21W & 30W only*)

IC/AT rated (*optional, 16W & 21W only*)

Damp location

Wet location option

Title 24 compliant

Warranty

5 year limited warranty

Emergency Battery Pack (EM)

IOTA ILB-CP05 Emergency battery pack with remote test switch, output of 5W (*approx. 300 lumens*) for 90 minutes

Evolve® 4.75"

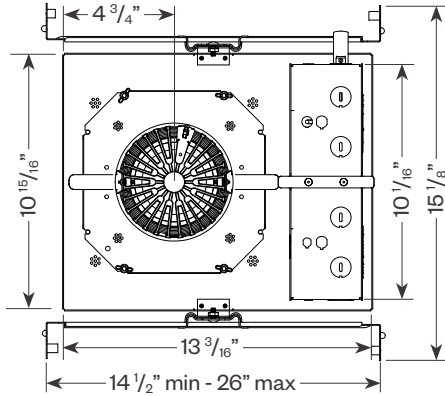
Round Lensed Downlight/Wall Wash



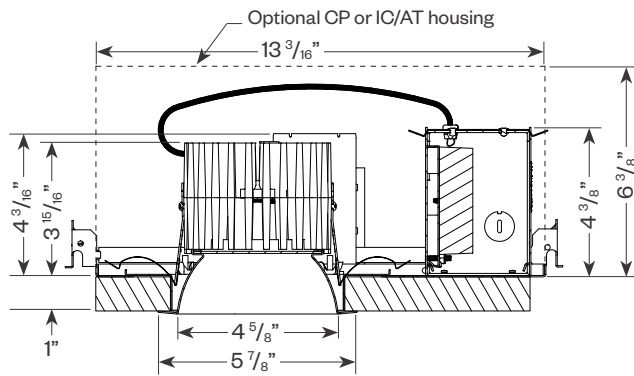
PROJECT:

TYPE:

Product Details - Round Lensed Downlight Shallow (RLDS)

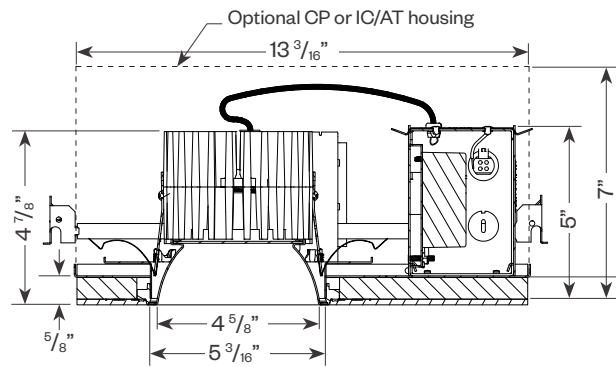


Trimmed



Ceiling cut out: 5 3/8" dia.

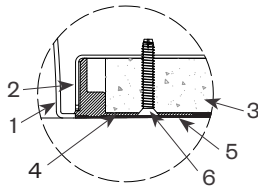
Trimless



Ceiling cut out: 5 7/8" dia.

Plaster Frame Installation Detail (for trimless fixture only)

1. Reflector Trim
2. Aperture plate
3. Ceiling 5/8"
4. Cast Aluminum Plaster Frame
5. Plaster Skim Coat (by others)
6. 6-32 Type F Thread Cutting Screw



Evolve® 4.75"

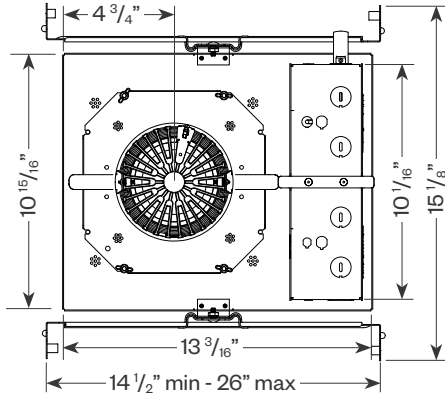
Round Lensed Downlight/Wall Wash



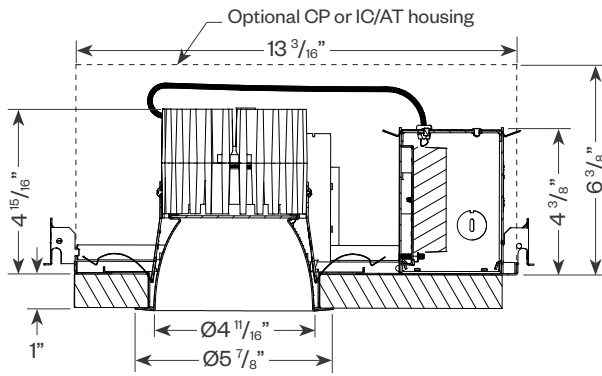
PROJECT:

TYPE:

Product Details - Round Lensed Downlight (RLD)

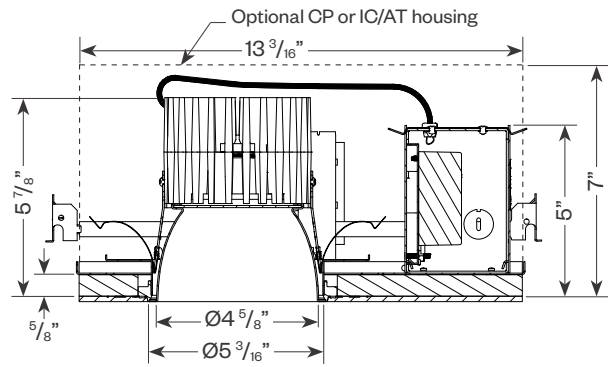


Trimmed



Ceiling cut out: Ø5 3/8" dia.

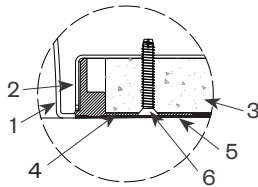
Trimless



Ceiling cut out: Ø5 7/8" dia.

Plaster Frame Installation Detail (for trimless fixture only)

1. Reflector Trim
2. Aperture plate
3. Ceiling 5/8"
4. Cast Aluminum Plaster Frame
5. Plaster Skim Coat (by others)
6. 6-32 Type F Thread Cutting Screw



Evolve® 4.75"

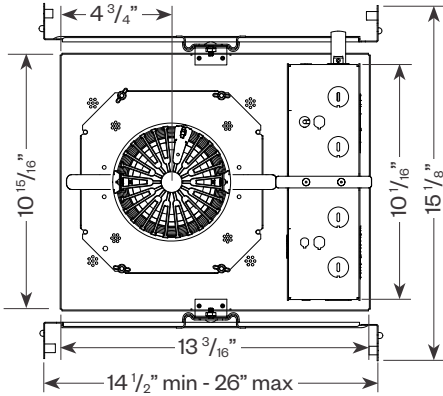
Round Lensed Downlight/Wall Wash



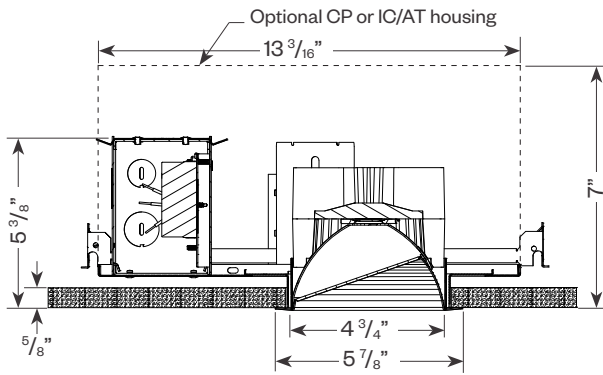
PROJECT:

TYPE:

Product Details - Round Lensed Wall Wash (RLW)

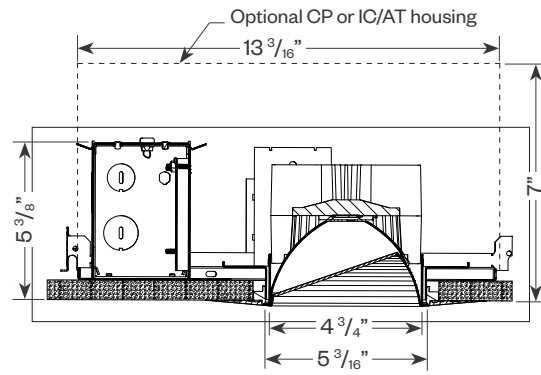


Trimmed



Ceiling cut out: 5 3/16" dia.

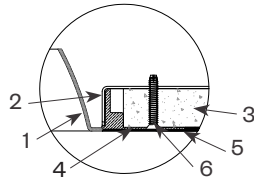
Trimless



Ceiling cut out: 5 7/8" dia.

Plaster Frame Installation Detail (for trimless fixture only)

1. Reflector Trim
2. Aperture plate
3. Ceiling 5/8"
4. Cast Aluminum Plaster Frame
5. Plaster Skim Coat (by others)
6. 6-32 Type F Thread Cutting Screw



Evolve[®] 4.75"

Round Lensed Downlight/Wall Wash



PROJECT:

TYPE:

Performance Data - Round Lensed Downlight Shallow (RLDS)/Round Lensed Downlight (RLD)

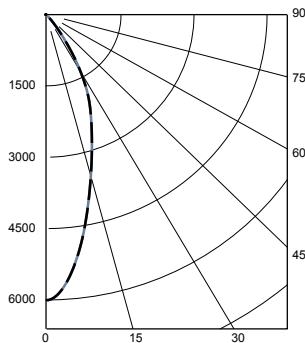
Multiplying Factors: (Multiplying Factor is based on 3000K-83 120V IES file on website)

Wattage:	16W	21W	30W	34W	42W	46W
Factor:	0.47	0.62	0.88	1.0	1.24	1.33

CCT:	2700K-83	3000K-83	3500K-83	4000K-83	2700K-90+	3000K-90+	3500K-90+	4000K-90+	CRISP	3CLA
Factor:	0.96	1.0	1.02	1.04	0.83	0.86	0.90	0.93	0.65	0.70

34W LED, 3000K-83

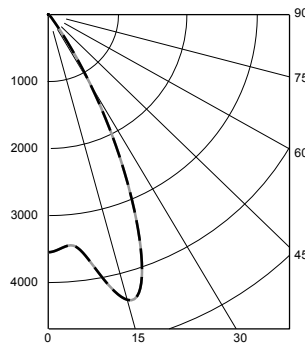
30° Solite Lens
LTL # 13626826.08
Lumens: 2996 ; Lm/W: 91.1



Candelas at Nadir

Deg	Candela
0	6008
5	5524
15	3515
25	2101
35	726
45	74

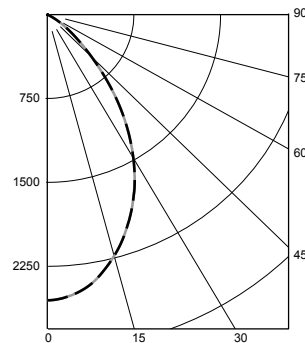
50° Solite Lens
LTL # 13626826.09
Lumens: 3096 ; Lm/W: 94.4



Candelas at Nadir

Deg	Candela
0	3549
5	3460
15	4409
25	2608
35	382
45	68

75° Satin Ice Lens
LTL # 13626826.10
Lumens: 3047 ; Lm/W: 92.4



Candelas at Nadir

Deg	Candela
0	2554
5	2515
15	2234
25	1772
35	1184
45	560

Application Data



0° Aiming Angle
Horizontal
Footcandles

MULTIPLE UNITS
50'x50' Room, 10' Mounting Height

30SOL, 34W, 3000K-83 Optic

D	FC	L	W	Spacing	FC on Floor (avg/max)	FC at 2.5' AFF (avg/max)
5.0'	241	3.0	3.0	6'x6'	80/102	82/120
7.5'	108	4.3	4.3	8'x8'	45/69	46/101
10.0'	61	5.7	5.7	10'x10'	31/63	32/107
12.5'	39	7.2	7.2			

50SOL, 34W, 3000K-83 Optic

D	FC	L	W	Spacing	FC on Floor (avg/max)	FC at 2.5' AFF (avg/max)
5.0'	159	4.8	4.8	6'x6'	82/109	85/109
7.5'	71	7.0	7.0	8'x8'	47/61	48/77
10.0'	40	9.4	9.4	10'x10'	33/45	33/74
12.5'	26	11.7	11.7			

75SAT, 34W, 3000K-83 Optic

D	FC	L	W	Spacing	FC on Floor (avg/max)	FC at 2.5' AFF (avg/max)
5.0'	103	4.8	4.8	6'x6'	78/93	81/96
7.5'	46	7.3	7.3	8'x8'	44/54	46/62
10.0'	26	9.8	9.8	10'x10'	30/38	32/51
12.5'	17	12.5	12.5			

Notes and Definitions:

Beam spread is to 50% center beam candlepower (CBCP).

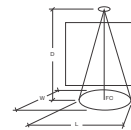
D=Distance to floor or wall.

FC=Footcandles on floor or wall at center beam aiming location.

L=Effective Visual Beam length in feet (50% of maximum footcandle level).

W=Effective Visual Beam width in feet (50% of maximum footcandle level).

CB=Distance across or down to center beam location.



Evolve® 4.75"

Round Lensed Downlight/Wall Wash



PROJECT:

TYPE:

Performance Data - Round Lensed Wall Wash (RLW)

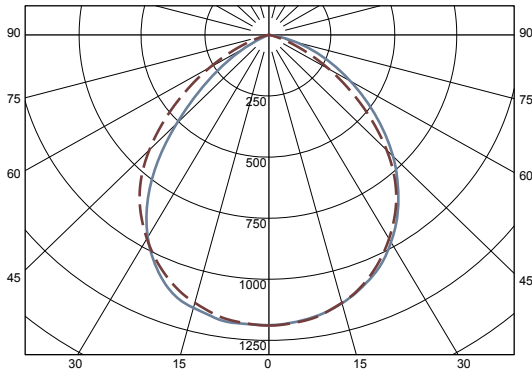
Multiplying Factors: (Multiplying Factor is based on 3000K-83 120V IES file on website)

Wattage:	16W	21W	30W	34W	42W	46W
Factor:	0.47	0.62	0.88	1.0	1.24	1.33

CCT:	2700K-83	3000K-83	3500K-83	4000K-83	2700K-90+	3000K-90+	3500K-90+	4000K-90+	CRISP	3CLA
Factor:	0.96	1.0	1.02	1.04	0.83	0.86	0.90	0.93	0.65	0.70

34W 3000K-83

LTL# 13626826.11
Lumens: 3096



ZONAL LUMEN SUMMARY

Zone	Lumens	%Fixt
0-40	1452	58.6
0-60	2268	91.6
0-90	2476	100.00
90-180	0	0.00

Luminaire Efficacy: 72.4 Lm/W

Application Data (footcandles on wall)

Footcandles are average and rounded off. Data for multiple units are based on a minimum of five units.

2 Feet from Wall

Distance from ceiling	2'		2'	
	0.5'	1.5'	2.5'	3.5'
0.5'	32	25	32	25
1.5'	107	104	109	104
2.5'	104	104	109	104
3.5'	77	80	81	79
4.5'	55	57	58	57
5.5'	40	41	42	41
6.5'	30	31	32	31
7.5'	24	25	25	24
8.5'	20	20	21	20

2 Feet from Wall

Distance from ceiling	3'			3'		
	0.5'	1.5'	2.5'	3.5'	4.5'	5.5'
0.5'	28	17	18	29	18	28
1.5'	83	68	68	83	68	69
2.5'	75	72	73	76	72	73
3.5'	57	56	56	58	56	56
4.5'	41	41	43	43	43	42
5.5'	31	32	32	33	32	31
6.5'	24	25	25	26	25	25
7.5'	20	20	21	21	21	20
8.5'	17	17	18	18	18	17

3 Feet from Wall

Distance from ceiling	3'			3'		
	0.5'	1.5'	2.5'	3.5'	4.5'	5.5'
0.5'	10	9	9	10	9	10
1.5'	38	35	35	38	36	35
2.5'	52	51	51	53	51	51
3.5'	51	50	51	52	51	51
4.5'	43	44	44	45	44	44
5.5'	35	36	37	37	37	36
6.5'	29	30	30	30	30	29
7.5'	24	25	25	25	25	24
8.5'	20	21	21	22	21	21

Evoke® 4.75"

Round Lensed Downlight/Wall Wash



PROJECT:	TYPE:
-----------------	--------------

Dimming Compatibility

Amerlux® Evoke® fixtures are compatible with all major dimming protocols prevalent in the United States. Please see below for general compatibilities and wiring diagrams. Amerlux recommends testing your unique dimming configuration as the exact full configuration (*Dimmer, Fixture Quantity, Voltage, etc*) may affect dimming performance.

--- NOTE: INFORMATION BELOW IS FOR WIRED DIMMERS ONLY. FOR WIRELESS DIMMERS, CONSULT FACTORY ---

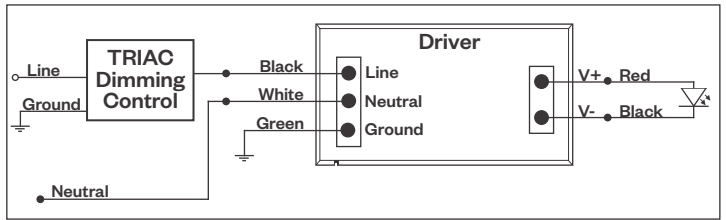
TRIAC (Forward Phase) Dimming

Utilizes standard TRIAC dimmers that are in wide use in installations across the US. Best for retrofit applications where TRIAC dimmers are installed.

Notes:

- 120VAC or 277VAC*
- Dims down to 5% light output (*most cases*)
- Consult Dimming manufacturer for installation instructions - **DO NOT SHARE NEUTRALS!**
- Must meet dimmer Minimum Load Requirements per dimming manufacturer

TRIAC Wiring Diagram



Compatible Dimmers†:	
Wall Box (TRIAC 120VAC)	Central System
Lutron "Diva"	Lutron "GP" Panel
Lutron "Nova-T"	Lutron Grafik Eye QS
Lutron "Maestro"	
Lutron "Skylark"	

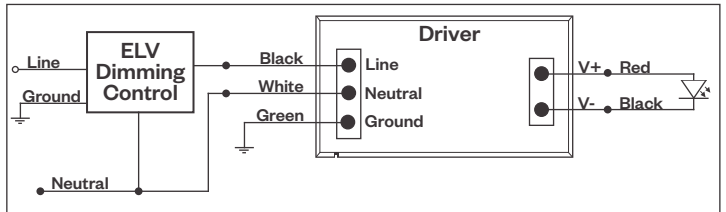
ELV - Electronic Low Voltage (Reverse Phase) Dimming

Utilizes specialized "ELV" dimmers.

Notes:

- 120VAC or 277VAC*
- Dims down to 5% light output (*most cases*)
- Consult Dimming manufacturer for installation instructions - **DO NOT SHARE NEUTRALS!**
- Must meet dimmer Minimum Load Requirements per dimming manufacturer

ELV Wiring Diagram



Compatible Dimmers†:		
Wall Box (ELV 120VAC)	Wall Box (ELV 277VAC)	Central System
Lutron "Diva"	Leviton Revoir II AWSMT-E	Lutron "GP" Panel with PHPM-PA 120/277VAC
Lutron "Nova-T"		Lutron Grafik Eye QS with PHPM-PA 120/277VAC
Lutron "Maestro"		
Lutron "Skylark"		
Leviton "Surslide"		
Leviton "Vizio"		

Notes:
 * Driver is 277VAC dimmable with appropriate dimmer (*by others*). All provided wiring diagrams show 120VAC wiring colors and method. Please refer to 277VAC dimmer installation instructions for 277VAC wiring diagrams.
 † The absence of a dimmer from the lists above does not imply incompatibility. Please consult factory for compatibility inquiries.

Evoke® 4.75"

Round Lensed Downlight/Wall Wash



PROJECT:

TYPE:

Dimming Compatibility (continued)

Amerlux® Evoke® fixtures are compatible with all major dimming protocols prevalent in the United States. Please see below for general compatibilities and wiring diagrams. Amerlux recommends testing your unique dimming configuration as the exact full configuration (*Dimmer, Fixture Quantity, Voltage, etc*) may affect dimming performance.

--- NOTE: INFORMATION BELOW IS FOR WIRED DIMMERS ONLY. FOR WIRELESS DIMMERS, CONSULT FACTORY ---

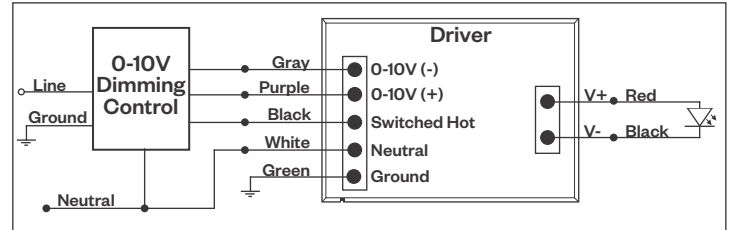
0-10V Dimming

Integrates into a variety of building management and daylighting controls

Notes:

- 120VAC or 277VAC*
- Dims down to 1% light output
- Requires interface to turn off power to driver
- Consult Dimming manufacturer for installation instructions - **DO NOT SHARE NEUTRALS!**

0-10V Wiring Diagram



Compatible Dimmers*:

Wall Box		Central System
Lutron "Diva" - DVSTV	Leviton Renoir II 0-10V	Lutron Grafik Eye with GRX-TVI Interface

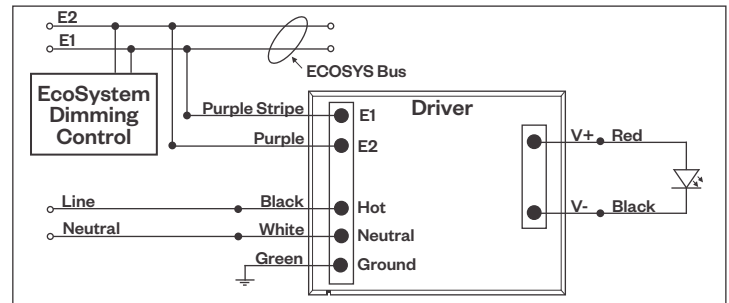
Lutron LDE1 Dimming

Integrates into Lutron EcoSystem building management

Notes:

- 120VAC or 277VAC*
- Dims down to 1% Soft-On/Fade-to-Black
- EcoSystem Control
- Consult Dimming manufacturer for installation instructions - **DO NOT SHARE NEUTRALS!**

LDE1 (HILUME-H-ECO) EcoSystem Digital Control Wiring Diagram



Compatible Dimmers*:

Lutron ECO System	Central System
Pow Pak Dimming Modules	Lutron EcoSystem compatible controls
Energi Savr Node	
Grafik Eye QS/Homeworks	
QS Control Unit	
Quantum Hub	
Homeworks QS/My Room	

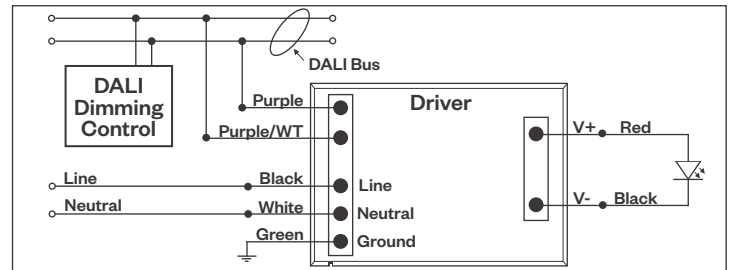
DALI Dimming

Digital control protocol allows individual fixture control

Notes:

- 120VAC - 277VAC*
- Dims down to 1% light output in most cases

DALI Wiring Diagram



Compatible Dimmers*:

Wall Box (3-Wire Fluorescent)	Central System
Leviton CD250 Controller	Dynalite
	Fifth Light

Notes:

* Driver is 277VAC dimmable with appropriate dimmer (*by others*). All provided wiring diagrams show 120VAC wiring colors and method. Please refer to 277VAC dimmer installation instructions for 277VAC wiring diagrams.

† The absence of a dimmer from the lists above does not imply incompatibility. Please consult factory for compatibility inquiries.

Evoke® 4.75"

Round Lensed Downlight/Wall Wash



PROJECT:

TYPE:

Emergency Battery Pack

Wiring Diagram

