

# Evoke® 4.75"

Round Lensed Downlight/  
Wall Wash



Evoke 4.75" RLD/RLW



Downlight

## Features

Impressive performance, high lumen delivery, consistent color. The Evoke 4.75 Round Lensed Downlight features the fit, finish, attention to detail, and performance that Evoke is known to provide. Evoke 4.75" RLD delivers the performance, energy savings and color you expect from a spec-grade LED downlight. Complimenting Wall Wash fixture available.

## Product Overview

- Fixture Type: Recessed Downlight/Wall Wash
- Wattage: 16, 21, 30, 34, 42, 46
- Color Temp: 2700K, 3000K, 3500K, 4000K, CRISP
- CRI: 83 typ. (2700K, 3000K, 3500K, 4000K)  
90+ typ. (2700K, 3000K, 3500K, 4000K)  
CrispWhite and Class A LEDs available
- Dimming: ELV & TRIAC (120/277VAC)  
Lutron LDE1 Hi-lume® 1% Soft-On/Fade-to-Black (120/277VAC)  
0-10V (120/277VAC) - 1% Dim  
DALI dimming - 1% Dim

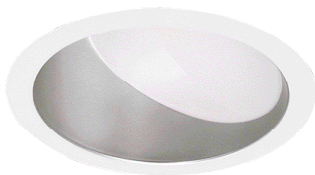
*\*International version available, see website for spec sheet.*

## PROJECT:

## TYPE:



Trimless



Wall Wash

## Performance Chart

DOWNLIGHT			
Watts	Delivered Lumens	LPW	Color Temp
16	1457	91.1	3000K-83
21	1912	91	3000K-83
30	2731	91	3000K-83
34	3096	94.4	3000K-83
42	3825	90.9	3000K-83
46	4103	88.7	3000K-83

WALL WASH*			
Watts	Delivered Lumens	LPW	Color Temp
16	1165	72.8	3000K-83
21	1529	72.8	3000K-83
30	2184	72.8	3000K-83
34	2476	72.4	3000K-83
42	3059	72	3000K-83
46	3281	71.3	3000K-83

*Data based on 3000K-83 IES files available on website  
Data based on E4.75RLDS with 50° Solite Lens  
See pages 7-8 for other performance data*

## Electrical Data

	16W		21W		30W		34W	
	System Watts	Amps	System Watts	Amps	System Watts	Amps	System Watts	Amps
120V	16	0.13	21	0.18	30	0.25	34	0.28
277V	16	0.06	21	0.08	30	0.11	34	0.12
	42W		46W					
	System Watts	Amps	System Watts	Amps				
120V	42	0.35	46	0.38				
277V	42	0.15	46	0.17				

*Electronic constant current LED driver  
Includes thermal protector, 2w power consumption*



# Evoke® 4.75"

4.75" Round Lensed Downlight/Wall Wash



## PROJECT:

## TYPE:

### Housing/Frame Ordering Information

1	2	3	4	5	6
<p><b>1</b> <u>Model</u> For New Construction <b>E4.75R-NC-A17<sup>†</sup></b> (New Construction) <b>E4.75R-CP-A17<sup>†</sup></b> (Chicago Plenum, 16W, 21W, &amp; 30W only) <b>E4.75R-IC-A17<sup>†</sup></b> (Insulated Ceiling/air tight 16W &amp; 21W only)</p>	<p><b>2</b> <u>Style</u> T - trimmed TL - trimless (not available for use with Grid ceiling)</p>	<p><b>3</b> <u>Wattage</u> 16 21 30 (not for use with IC housing) 34 (not for use with CP or IC housing) 42 (not for use with CP or IC housing) 46 (not for use with CP or IC housing)</p>	<p><b>4</b> <u>Voltage</u> 120 277 <b>120/277</b> (for use with IC housing only)</p>	<p><b>5</b> <u>Driver</u> (for non-dimming, select LE/TE option) <b>LE/TE</b> - TRIAC/ELV dimming <b>HILUME-H-ECO*</b> - Lutron LDE1 Hi-lume® 1% Soft-On/ Fade-to-Black <b>0-10V</b> - 0-10V dimming, 1% dim <b>DALI</b> - DALI dimming, 1% dim <b>* Not available for use with 46W option</b></p>	<p><b>6</b> <u>Options</u> <b>EM</b> - emergency battery pack with remote test switch (not available for use with CP or IC options) <b>HB49</b> - hanger bars from min 29" to max 49"</p>

### Trim Ordering Information

1	2	3	4	5	6
<p><b>1</b> <u>Model</u> <b>E4.75RLDS-A17<sup>†</sup></b> (shallow trim) <b>E4.75RLD-A17<sup>†</sup></b> <b>E4.75RLW-A17<sup>†</sup></b> (wall wash)</p>	<p><b>2</b> <u>Style</u> T - trimmed TL - trimless (not available for use with Grid ceiling)</p>	<p><b>3</b> <u>Finish</u> <u>For Trimmed Fixture</u> <b>SDW</b> - semi-diffuse, white flange <b>SDC</b> - semi-diffuse, clear flange (flange finish matches cone finish) <b>MWW</b> - matte white, white flange <b>MBB</b> - matte black, black flange  <u>For Trimless Fixture</u> <b>SD</b> - semi-diffuse <b>MW</b> - matte white</p>	<p><b>4</b> <u>Beam Spreads</u> <u>For RLD/RLDS trims:</u>      <u>For RLW trim:</u> <b>30SOL</b> - 30° solite lens      <b>WW</b> - wall wash <b>50SOL</b> - 50° solite lens <b>75SAT</b> - 75° satin ice lens</p>	<p><b>5</b> <u>Color Temp</u> <b>83 CRI</b>      <b>90+ CRI</b> <b>27</b> - 2700K-83      <b>279</b> - 2700K-90+      <b>CRISP</b> - CrispWhite <b>30</b> - 3000K-83      <b>309</b> - 3000K-90+      <b>3CLA</b> - 3K Class A <b>35</b> - 3500K-83      <b>359</b> - 3500K-90+ <b>40</b> - 4000K-83      <b>409</b> - 4000K-90+</p>	<p><b>6</b> <u>Options/Accessories</u> <b>WET</b> - wet location (not available for use with trimless option)</p>

<sup>†</sup> The "A" refers to the sequential revision in a year and "XX" refers to the year of update. Updates coincide with improved performance while not changing the overall fixture aesthetic and are reflected in the published performance data. Please contact your Amerlux representative for explanations of changes.

# Evoke® 4.75"

4.75" Round Lensed Downlight/Wall Wash



Evoke 4.75" RLD/RLW

## PROJECT:

## TYPE:

### Specifications

#### Application

For E4.75RLD/RLDS:

Commercial and hospitality ambient lighting

For E4.75RLW:

Commercial and hospitality wall wash lighting

#### Housing Construction

20 ga. galvanized steel frame

18 ga. galvanized steel splice housing and hanger brackets

Die-cast aluminum heatsink

Cast aluminum plaster frame with perforated face (for trimless option)

Wet location option adds silicone flange gasket

#### Reflector Construction

Spun aluminum self-flanged reflector, anodized finish

#### Optical

High reflectance, highly diffuse mixing chamber

Engineered nano technology lens provide transmission while concealing LED image

Lens options for RLD/RLDS trims:

Solite Lens for maximum efficacy and visually quieter aperture in 30° or 50° distributions

Satin Ice Lens for maximum source concealment and wide distribution with a visually "hotter" aperture in 75° distribution

#### LED

Color Temp Options:

2700K, 3000K, 3500K, 4000K

CRI: 83 typ. (2700K, 3000K, 3500K, 4000K)

90+ typ. (2700K, 3000K, 3500K, 4000K)

CrispWhite\* LED available

Class A\*\* 3000K (high CRI, high gamut) available

R9 Values: 11 (83 CRI), 55 (90+ CRI)

Binning: 3 MacAdam (SDCM)

*\*CrispWhite: CrispWhite Technology delivers the warmth of colors expected from a high 90 CRI solution but also creates the natural crisp white color that is pleasing to the eye. It creates the most impactful lighting ever available, by revealing the richest whites and vibrant colors that pop.*

*\*\*Class A LED: Class A LED's have a CRI > 80 and a GAI > 80. CRI defines color "Naturalness" and GAI defines color "Saturation." Both being high delivers rich colors and pure whites.*

#### Electrical

Wattage: 16, 21, 30, 34, 42, 46

Electronic constant current LED driver, 120/277VAC input

**This product complies with IEEE C62.41 for surge endurance up to 2.5KV. Amerlux® recommends using additional surge protection with this unit (supplied by others), surge damage is not covered under warranty.**

#### Drivers

LE/TE - Leading Edge, TRIAC, forward phase/Trailing Edge, ELV, reverse phase

0-10V, Lutron and DALI systems also available

See pages 9-11 for more dimming information

#### Finish

Powder coat paint/wet paint

Consult factory for custom finishes

#### Mounting

26" Hanger bars included

Optional **HB49** - hanger bars from min 29" to max 49" available

**Trimmed Fixture:**

For use in grid or sheetrock ceilings, max ceiling thickness 1"

**Trimless Fixture:**

For use in sheetrock ceilings, max ceiling thickness 5/8"

#### Certifications

CSA approved to UL standards as tested by CSA

IC/AT rated (optional, 16W & 21W only)

Damp location

Wet location option

Title 24 compliant

#### Warranty

5 year limited warranty

#### Emergency Battery Pack (EM)

IOTA ILB-CP05 Emergency battery pack with remote test switch, output of 5W (approx. 300 lumens) for 90 minutes

# Evoke® 4.75"

4.75" Round Lensed Downlight/Wall Wash

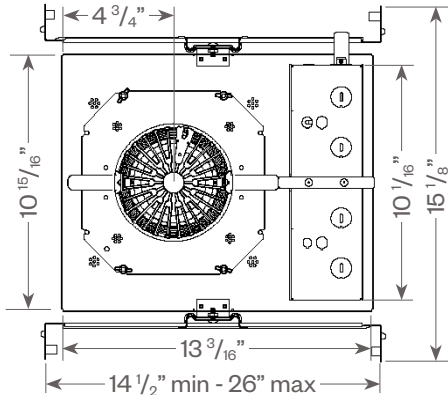


Evoke 4.75" RLD/RLW

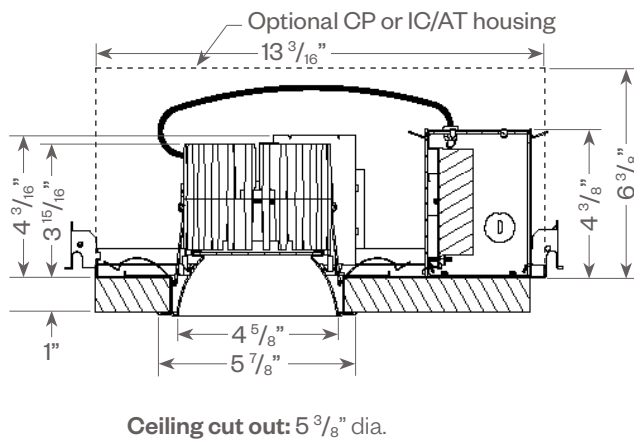
**PROJECT:**

**TYPE:**

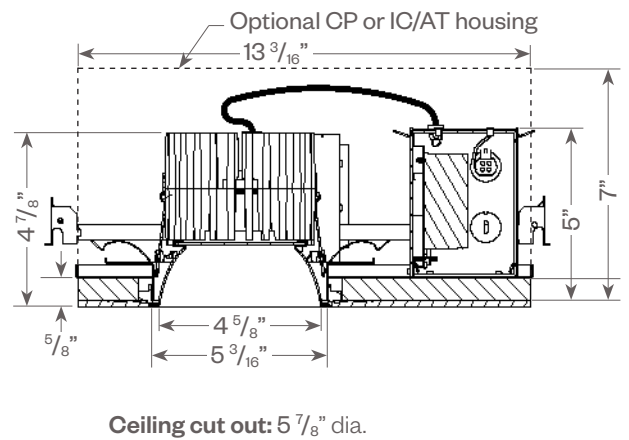
## Evoke Round Lensed Downlight Shallow:



**Trimmed**

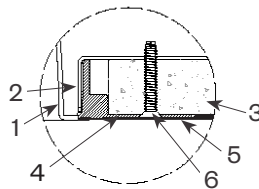


**Trimless**



## Plaster Frame Installation Detail (for trimless fixture only)

1. Reflector Trim
2. Aperture plate
3. Ceiling 5/8"
4. Cast Aluminum Plaster Frame
5. Plaster Skim Coat (by others)
6. 6-32 Type F Thread Cutting Screw



# Evoke® 4.75"

4.75" Round Lensed Downlight/Wall Wash

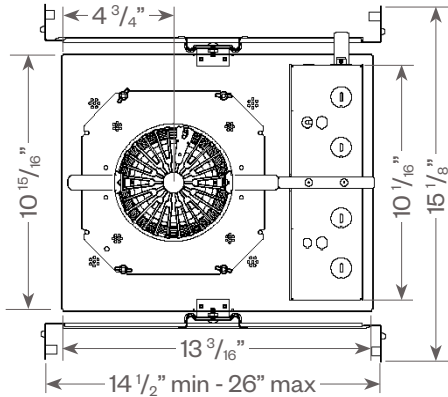


Evoke 4.75" RLD/RLW

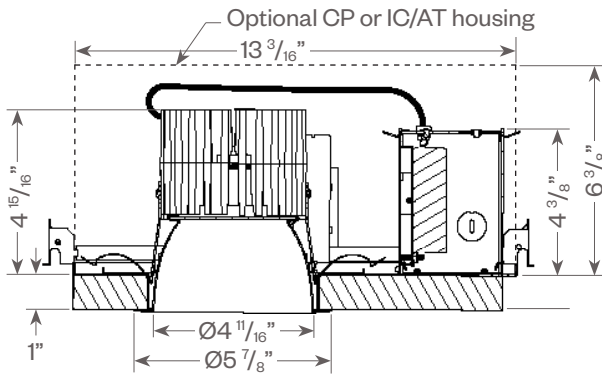
**PROJECT:**

**TYPE:**

## Evoke Round Lensed Downlight:

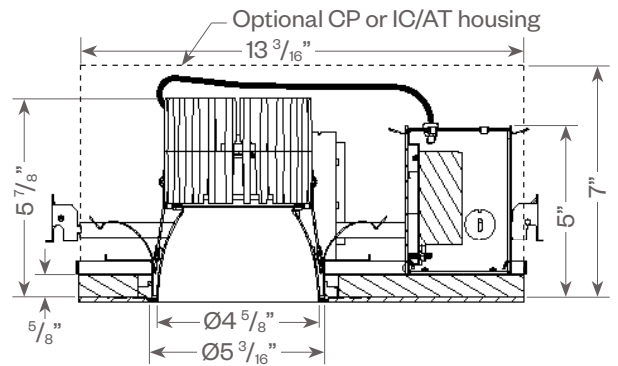


### Trimmed



Ceiling cut out:  $\text{Ø}5 \frac{3}{8}$ " dia.

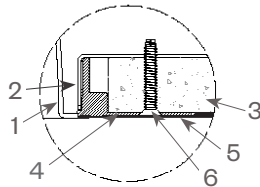
### Trimless



Ceiling cut out:  $\text{Ø}5 \frac{7}{8}$ " dia.

### Plaster Frame Installation Detail (for trimless fixture only)

1. Reflector Trim
2. Aperture plate
3. Ceiling  $\frac{5}{8}$ "
4. Cast Aluminum Plaster Frame
5. Plaster Skim Coat (by others)
6. 6-32 Type F Thread Cutting Screw



# Evoke® 4.75"

4.75" Round Lensed Downlight/Wall Wash

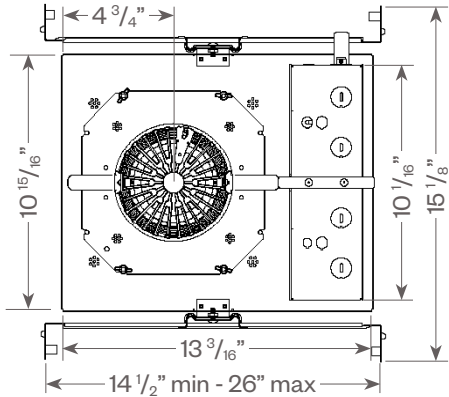


Evoke 4.75" RLD/RLW

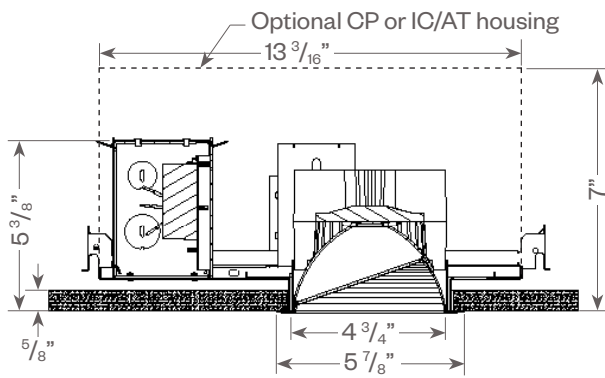
**PROJECT:**

**TYPE:**

## Evoke Round Lensed Wall Wash:

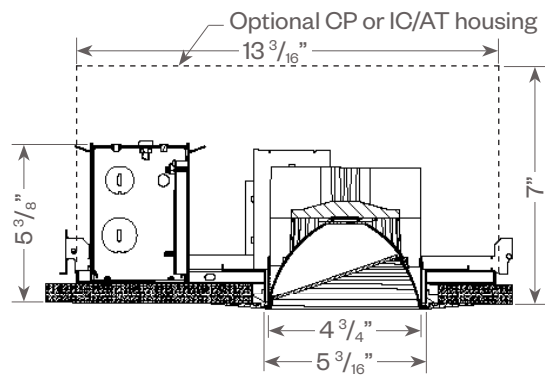


**Trimmed**



**Ceiling cut out: 5 3/16" dia.**

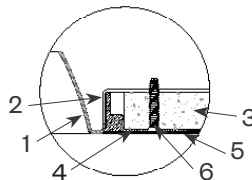
**Trimless**



**Ceiling cut out: 5 7/8" dia.**

## Plaster Frame Installation Detail (for trimless fixture only)

1. Reflector Trim
2. Aperture plate
3. Ceiling 5/8"
4. Cast Aluminum Plaster Frame
5. Plaster Skim Coat (by others)
6. 6-32 Type F Thread Cutting Screw



# Evoke® 4.75"

4.75" Round Lensed Downlight/Wall Wash



Evoke 4.75" RLD/RLW

**PROJECT:**

**TYPE:**

**Evoke Round Lensed Downlight/Round Lensed Downlight Shallow:**

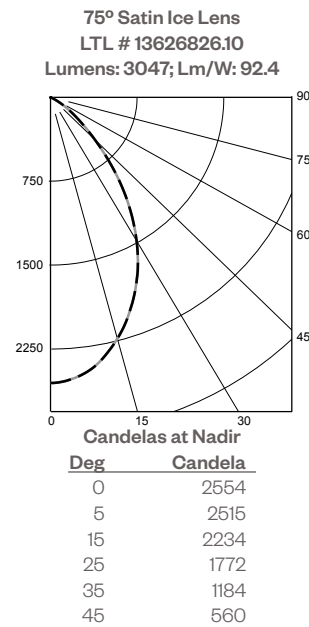
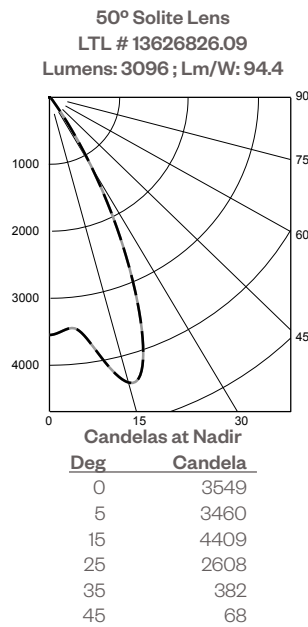
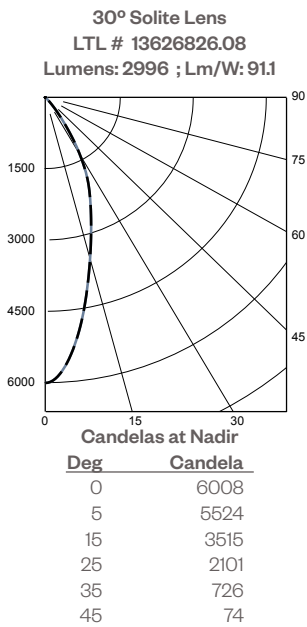
**FIXTURE DATA:** (Complete photometric data (.ies format) available upon request)

**MULTIPLYING FACTORS:** (Multiplying Factor is based on 3000K-83 120V IES file on website)

Wattage:	16W	21W	30W	34W	42W	46W
Factor:	0.47	0.62	0.88	1.0	1.24	1.33

CCT:	2700K-83	3000K-83	3500K-83	4000K-83	2700K-90+	3000K-90+	3500K-90+	4000K-90+	CRISP	3CLA
Factor:	0.96	1.0	1.02	1.04	0.83	0.86	0.90	0.93	0.65	0.70

**34W LED, 3000K-83**



**Application Data:**



0° Aiming Angle  
Horizontal  
Footcandles

**MULTIPLE UNITS**  
50'x50' Room, 10' Mounting Height

**30SOL, 34W, 3000K-83 Optic**

D	FC	L	W	Spacing	FC on Floor (avg/max)	FC at 2.5' AFF (avg/max)
5.0'	241	3.0	3.0	6'x6'	80/102	82/120
7.5'	108	4.3	4.3	8'x8'	45/69	46/101
10.0'	61	5.7	5.7	10'x10'	31/63	32/107

**50SOL, 34W, 3000K-83 Optic**

D	FC	L	W	Spacing	FC on Floor (avg/max)	FC at 2.5' AFF (avg/max)
5.0'	159	4.8	4.8	6'x6'	82/109	85/109
7.5'	71	7.0	7.0	8'x8'	47/61	48/77
10.0'	40	9.4	9.4	10'x10'	33/45	33/74

**75SAT, 34W, 3000K-83 Optic**

D	FC	L	W	Spacing	FC on Floor (avg/max)	FC at 2.5' AFF (avg/max)
5.0'	103	4.8	4.8	6'x6'	78/93	81/96
7.5'	46	7.3	7.3	8'x8'	44/54	46/62
10.0'	26	9.8	9.8	10'x10'	30/38	32/51

**Notes and Definitions:**

Beam spread is to 50% center beam candlepower (CBCP).

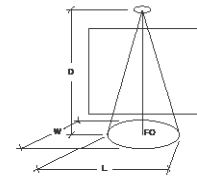
D=Distance to floor or wall.

FC=Footcandles on floor or wall at center beam aiming location.

L=Effective Visual Beam length in feet (50% of maximum footcandle level).

W=Effective Visual Beam width in feet (50% of maximum footcandle level).

CB=Distance across or down to center beam location.



# Evoke® 4.75"

4.75" Round Lensed Downlight/Wall Wash



Evoke 4.75" RLD/RLW

## PROJECT:

## TYPE:

### Evoke Round Lensed Wall Wash:

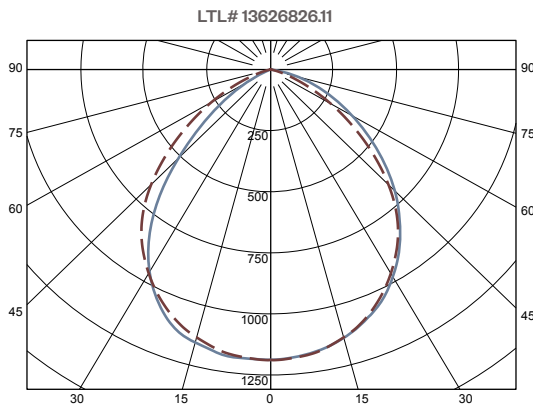
**FIXTURE DATA:** (Complete photometric data (.ies format) available upon request)

**MULTIPLYING FACTORS:** (Multiplying Factor is based on 3000K-83 120V IES file on website)

Wattage:	16W	21W	30W	34W	42W	46W
Factor:	0.47	0.62	0.88	1.0	1.24	1.33

CCT:	2700K-83	3000K-83	3500K-83	4000K-83	2700K-90+	3000K-90+	3500K-90+	4000K-90+	CRISP	3CLA
Factor:	0.96	1.0	1.02	1.04	0.83	0.86	0.90	0.93	0.65	0.70

### 34W 3000K-83



#### ZONAL LUMEN SUMMARY

Zone	Lumens	%Fixt
0-40	1452	58.6
0-60	2268	91.6
0-90	2476	100.00
90-180	0	0.00

Luminaire Efficacy: 72.4 Lm/W

#### Application Data:

#### Footcandles on Wall

Footcandles are average and rounded off.  
Data for multiple units are based on a minimum of five units.

#### 2 Feet from Wall

Distance from ceiling	2' Spacing				
	0.5'	1.5'	2.5'	3.5'	4.5'
0.5'	32	25	32	25	32
1.5'	107	104	109	104	107
2.5'	104	104	109	104	104
3.5'	77	80	81	79	77
4.5'	55	57	58	57	54
5.5'	40	41	42	41	39
6.5'	30	31	32	31	30
7.5'	24	25	25	24	24
8.5'	20	20	21	20	20

#### 2 Feet from Wall

Distance from ceiling	3' Spacing						
	0.5'	1.5'	2.5'	3.5'	4.5'	5.5'	6.5'
0.5'	28	17	18	29	18	28	29
1.5'	83	68	68	83	68	69	83
2.5'	75	72	73	76	72	73	76
3.5'	57	56	56	58	56	56	57
4.5'	41	41	43	43	43	42	42
5.5'	31	32	32	33	32	32	31
6.5'	24	25	25	26	25	25	25
7.5'	20	20	21	21	21	20	20
8.5'	17	17	18	18	18	17	17

#### 3 Feet from Wall

Distance from ceiling	3' Spacing						
	0.5'	1.5'	2.5'	3.5'	4.5'	5.5'	6.5'
0.5'	10	9	9	10	9	9	10
1.5'	38	35	35	38	36	35	38
2.5'	52	51	51	53	51	51	53
3.5'	51	50	51	52	51	52	51
4.5'	43	44	44	45	44	44	43
5.5'	35	36	37	37	37	36	36
6.5'	29	30	30	30	30	30	29
7.5'	24	25	25	25	25	25	24
8.5'	20	21	21	22	21	21	21



# Evoke® 4.75"

4.75" Round Lensed Downlight/Wall Wash



**PROJECT:**

**TYPE:**

**DIMMING COMPATIBILITY:**

Amerlux® Evoke fixtures are compatible with all major dimming protocols prevalent in the United States. Please see below for general compatibilities and wiring diagrams. Amerlux recommends testing your unique dimming configuration as the exact full configuration (Dimmer, Fixture Quantity, Voltage, etc) may affect dimming performance.

**--- NOTE: INFORMATION BELOW IS FOR WIRED DIMMERS ONLY. FOR WIRELESS DIMMERS, CONSULT FACTORY ---**

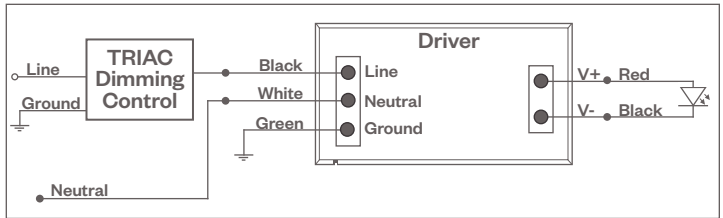
**TRIAC (Forward Phase) DIMMING (Standard)**

Utilizes standard TRIAC dimmers that are in wide use in installations across the US. Best for retrofit applications where TRIAC dimmers are installed.

**Notes:**

- 120VAC or 277VAC\*
- Dims down to 5% light output (most cases)
- Consult Dimming manufacturer for installation instructions - DO NOT SHARE NEUTRALS!
- Must meet dimmer Minimum Load Requirements per dimming manufacturer

**TRIAC Wiring Diagram**



**Compatible Dimmers†:**

Wall Box (TRIAC 120VAC)	Central System
Lutron "Diva"	Lutron "GP" Panel
Lutron "Nova-T"	Lutron Grafik Eye QS
Lutron "Maestro"	
Lutron "Skylark"	

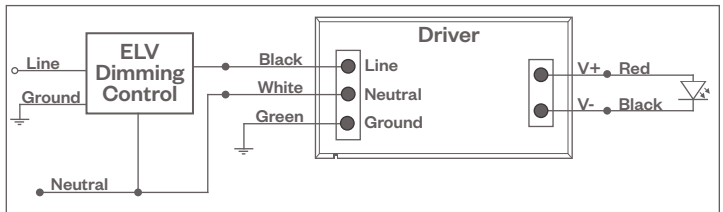
**ELV - Electronic Low Voltage (Reverse Phase) DIMMING (Standard)**

Utilizes specialized "ELV" dimmers.

**Notes:**

- 120VAC or 277VAC\*
- Dims down to 5% light output (most cases)
- Consult Dimming manufacturer for installation instructions - DO NOT SHARE NEUTRALS!
- Must meet dimmer Minimum Load Requirements

**ELV Wiring Diagram**



**Compatible Dimmers†:**

Wall Box (ELV 120VAC)	Wall Box (ELV 277VAC)	Central System
Lutron "Diva"	Leviton Revoir II AWSMT-E	Lutron "GP" Panel with PHPM-PA 120/277VAC
Lutron "Nova-T"		Lutron Grafik Eye QS with PHPM-PA 120/277VAC
Lutron "Maestro"		
Lutron "Skylark"		
Leviton "Surslide"		
Leviton "Vizio"		

**Notes:**

- \* Driver is 277VAC dimmable with appropriate dimmer (by others). All provided wiring diagrams show 120VAC wiring colors and method. Please refer to 277VAC dimmer manufacturer installation instructions for 277VAC wiring diagrams.
- † The absence of a dimmer from the lists above does not imply incompatibility. Please consult factory for compatibility inquiries.

# Evoke® 4.75"

4.75" Round Lensed Downlight/Wall Wash



## PROJECT:

## TYPE:

### DIMMING COMPATIBILITY:

Amerlux® Evoke fixtures are compatible with all major dimming protocols prevalent in the United States. Please see below for general compatibilities and wiring diagrams. Amerlux recommends testing your unique dimming configuration as the exact full configuration (Dimmer, Fixture Quantity, Voltage, etc) may affect dimming performance.

**--- NOTE: INFORMATION BELOW IS FOR WIRED DIMMERS ONLY. FOR WIRELESS DIMMERS, CONSULT FACTORY ---**

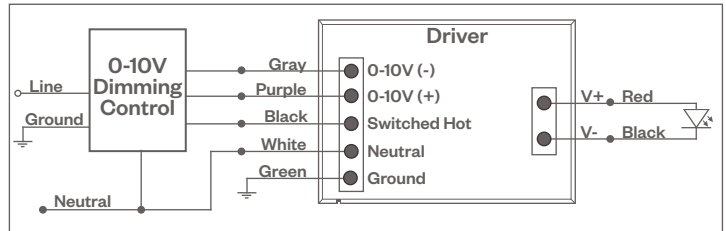
### 0-10V DIMMING

Integrates into a variety of building management and daylighting controls

#### Notes:

- 120VAC or 277VAC\*
- Dims down to 1% light output
- Requires interface to turn off power to driver
- Consult Dimming manufacturer for installation instructions - DO NOT SHARE NEUTRALS!

**0-10V Wiring Diagram**



#### Compatible Dimmers\*:

##### Wall Box

Lutron "Diva" - DVSTV | Leviton Renoir II 0-10V

##### Central System

Lutron Grafik Eye with GRX-TV1 Interface

### LUTRON LDE1 DIMMING

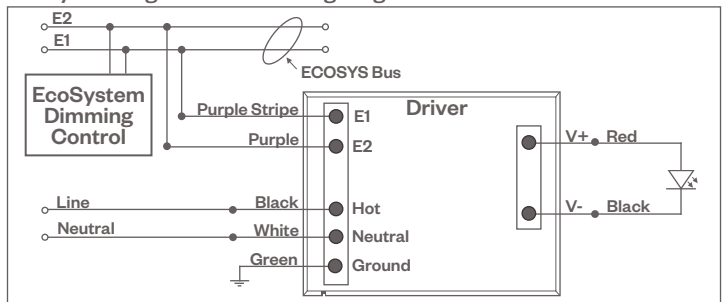
Integrates into Lutron EcoSystem building management

#### Notes:

- 120VAC or 277VAC\*
- Dims down to 1% Soft-On/Fade-to-Black
- EcoSystem Control
- Consult Dimming manufacturer for installation instructions - DO NOT SHARE NEUTRALS!

**Lutron LDE1 (HILUME-H-ECO)**

**EcoSystem Digital Control Wiring Diagram**



#### Compatible Dimmers\*:

##### Lutron ECO System

Pow Pak Dimming Modules  
Energj Savr Node  
Grafik Eye QS/Homeworks  
QS Control Unit  
Quantum Hub  
Homeworks QS/My Room

##### Central System

Lutron EcoSystem compatible controls

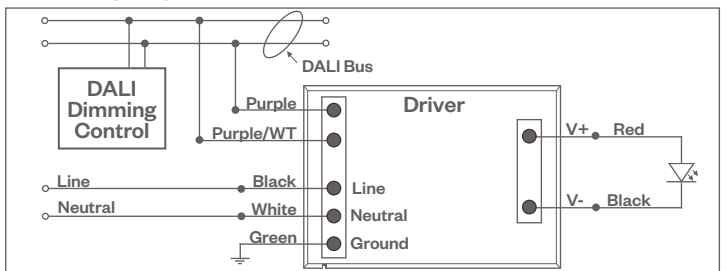
### DALI DIMMING

Digital control protocol allows individual fixture control

#### Notes:

- 120VAC - 277VAC\*
- Dims down to 1% light output in most cases

**DALI Wiring Diagram**



#### Compatible Dimmers\*:

##### Wall Box (3-Wire Fluorescent)

Leviton CD250 Controller

##### Central System

Dynalite  
Fifth Light

#### Notes:

\* Driver is 277VAC dimmable with appropriate dimmer (by others). All provided wiring diagrams show 120VAC wiring colors and method. Please refer to 277VAC dimmer manufacturer installation instructions for 277VAC wiring diagrams.

† The absence of a dimmer from the lists above does not imply incompatibility. Please consult factory for compatibility inquiries.

# Evoke<sup>®</sup> 4.75"

4.75" Round Lensed Downlight/Wall Wash



Evoke 4.75" RLD/RLW

**PROJECT:**

**TYPE:**

## EMERGENCY DIMMING (-EM OPTION)

### Wiring Diagram

