

# EVOKE®

## 4.75" ROUND DOWNLIGHT LED INTERNATIONAL

I-E4.75RD-A15  
LED

### APPLICATION:

Commercial & hospitality ambient lighting

### CONSTRUCTION:

18 ga. galvanized steel splice housing  
Die-cast aluminum heat sink

### OPTICS:

Spun aluminum self-flanged reflector trim, anodized finish  
High reflectance, highly diffuse mixing chamber in upper optic  
LED:

Color Temp: 2700K, 3000K, 3500K, 4000K  
CRI: 83 (2700K, 3000K, 3500K, 4000K)  
90+ typ. (2700K, 3000K, 3500K)  
CrispWhite & Class A LED available

R9 Values: 11 (83CRI), 55 (90+CRI)

Life: 50,000 hrs

Lumen Maintenance: >70% of initial lumens @ 50,000 hrs

Lumen Output (3000K): up to 2104 lm, up to 78 lm/W

CBCP (3000K): up to 15,930

Beam Options: Spot 15°, Flood 25°, Wide Flood 40°

### ELECTRICAL:

Electronic constant current LED driver, 240v input  
ELV or Triac dimming standard  
DALI driver option available

**This product complies with IEEE C62.41 for surge endurance up to 2.5KV. Amerlux® recommends using additional surge protection with this unit (supplied by others), surge damage is not covered by warranty.**

### MOUNTING:

For use in sheetrock ceilings, max ceiling thickness 25 mm  
Consult factory for other thicknesses

### LABELING:



Damp location  
For indoor use only

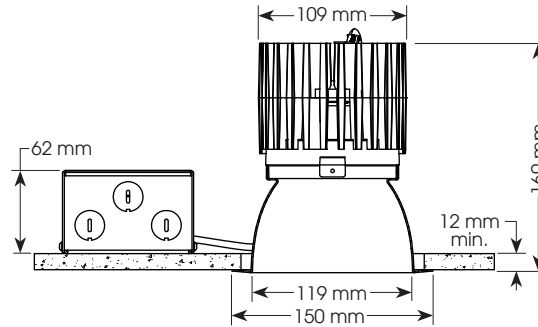
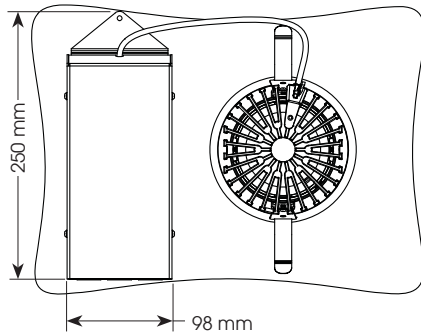


PROJECT:

TYPE:



Electrostatic sensitive device,  
observe precautions for  
handling



Celling Cut Out Dimension: 137 mm dia.

### ELECTRICAL

Driver	16W		19W		27W	
	System Watts	Amps	System Watts	Amps	System Watts	Amps
Electronic 240v	16	0.07	19	0.08	27	0.11

### ORDERING INFORMATION:

Model	Wattage	Lamp Type	Voltage	Aperture Cone/Flange Finish	Beam Spread	Color Temp (CCT-CRI)	Listing	Options
I-E4.75RD-A15	16 19 27	LED	240	Reflector with White Painted Flange SDW - semi-diffuse MWW - matte white MBW - matte black  Reflector with Clear Flange (flange finish matches cone finish) SDC - semi-diffuse	SP - spot, 15° FL - flood, 25° WF - wide flood, 40°	27 - 2700K-83 30 - 3000K-83 35 - 3500K-83 40 - 4000K-83 229 - 2200K-90+ 279 - 2700K-90+ 309 - 3000K-90+ 359 - 3500K-90+ 3CLA - 3K Class A CRISP - CrispWhite	CE	DALI - DALI driver

Example: I-E4.75RD-A15-19-LED-240-MWW-WF-30-CE

Cat #:

Amerlux reserves the right to change details that do not affect overall function and performance.

**3** year limited  
warranty  
(see website for details)

# EVOKE®

## 4.75" ROUND DOWNLIGHT LED INTERNATIONAL

I-E4.75RD-A15  
LED



TYPE:



**FIXTURE DATA:** For 19W data, multiply 16W data by 1.1

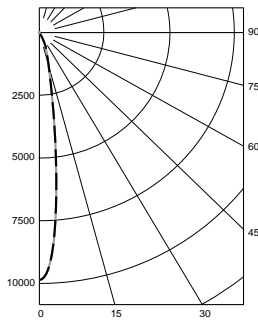
Complete photometric data (ies format) available upon request.

CCT Correction Factors: 2700-83 = 0.96; 3500-83 = 1.02; 4000-83 = 1.04; 2200-90+ = 0.71; 2700-90+ = 0.80; 3000-90+ = 0.83; 3500-90+ = 0.87; CRISP = 0.65

### 16W LED 3000K-83

SPOT  
DISTRIBUTION  
LTL # 1085472

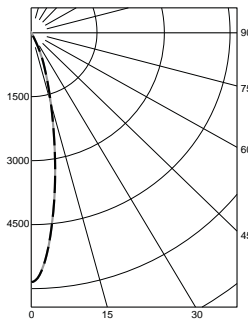
Lumen Output  
1125 lm; 72.3 lm/w



Candelas at Nadir	
Deg	Candela
0	8683
5	7029
15	1289
25	374
35	40
45	24

FLOOD  
DISTRIBUTION  
LTL # 1085470

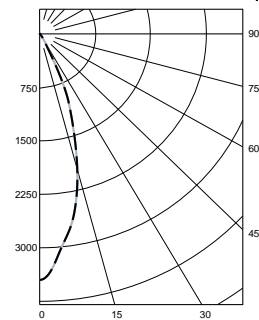
Lumen Output  
1170 lm; 75.1 lm/w



Candelas at Nadir	
Deg	Candela
0	5849
5	4894
15	1813
25	430
35	45
45	17

WIDE FLOOD  
DISTRIBUTION  
LTL # 1085471

Lumen Output  
1195 lm; 76.7 lm/w

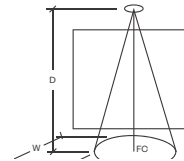


Candelas at Nadir	
Deg	Candela
0	3451
5	3074
15	1972
25	671
35	78
45	19

### APPLICATION DATA:

**Notes and Definitions:**

Beam spread is to 50% center beam candlepower (CBCP).  
 D=Distance to floor or wall.  
 FC=Footcandles on floor or wall at center beam aiming location.  
 L=Effective Visual Beam length in feet (50% of maximum footcandle level).  
 W=Effective Visual Beam width in feet (50% of maximum footcandle level).  
 CB=Distance across or down to center beam location.



		0° Aiming Angle Horizontal Footcandle			
		D	FC	L	W
SPOT	5.0'	395	1.3	1.3	
	7.5'	176	1.8	1.8	
	10.0'	99	2.6	2.6	
	12.5'	63	3.2	3.2	
FLOOD	5.0'	235	1.8	1.8	
	7.5'	104	2.9	2.9	
	10.0'	59	3.7	3.7	
	12.5'	38	4.7	4.7	
WIDE FLOOD	5.0'	138	2.8	2.8	
	7.5'	62	4.1	4.1	
	10.0'	35	5.5	5.5	
	12.5'	22	6.9	6.9	

# EVOKE®

## 4.75" ROUND DOWNLIGHT LED INTERNATIONAL

I-E4.75RD-A15  
LED



TYPE:



**FIXTURE DATA:** For 19W data, multiply 27W data by 0.70

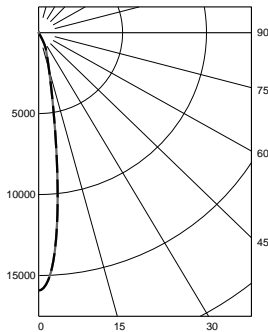
Complete photometric data (ies format) available upon request.

CCT Correction Factors: 2700-83 = 0.96; 3500-83 = 1.02; 4000-83 = 1.04; 2200-90+ = 0.71; 2700-90+ = 0.80; 3000-90+ = 0.83; 3500-90+ = 0.87; CRISP = 0.65

### 27W LED 3000K-83

#### SPOT DISTRIBUTION LTL #1085473

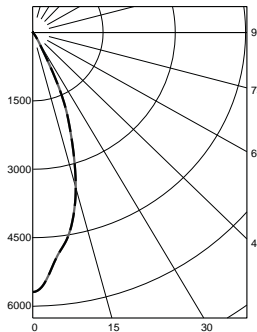
Lumen Output  
1950 lm; 66.5 lm/w



Candelas at Nadir	
Deg	Candela
0	15930
5	12010
15	2227
25	698
35	74
45	34

#### FLOOD DISTRIBUTION LTL #1085475

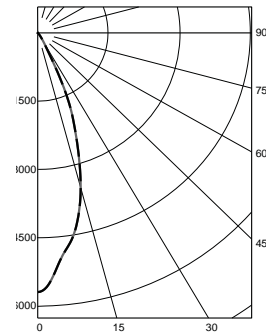
Lumen Output  
2089 lm; 71.4 lm/w



Candelas at Nadir	
Deg	Candela
0	10520
5	8749
15	3274
25	801
35	69
45	25

#### WIDE FLOOD DISTRIBUTION LTL #1085474

Lumen Output  
2104 lm; 71.9 lm/w

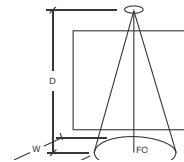


Candelas at Nadir	
Deg	Candela
0	5693
5	5088
15	3518
25	1239
35	135
45	27

### APPLICATION DATA:

#### Notes and Definitions:

Beam spread is to 50% center beam candlepower (CBCP).  
 D=Distance to floor or wall.  
 FC=Footcandles on floor or wall at center beam aiming location.  
 L=Effective Visual Beam length in feet (50% of maximum footcandle level).  
 W=Effective Visual Beam width in feet (50% of maximum footcandle level).  
 CB=Distance across or down to center beam location.



	D	FC	0° Aiming Angle Horizontal Footcandle	
			L	W
SPOT	5.0'	722	1.3	1.3
	7.5'	308	1.8	1.8
	10.0'	170	2.7	2.7
	12.5'	107	3.3	3.3
FLOOD	5.0'	477	1.7	1.7
	7.5'	203	2.8	2.8
	10.0'	112	3.6	3.6
	12.5'	71	4.6	4.6
WIDE FLOOD	5.0'	259	2.8	2.8
	7.5'	110	4.2	4.2
	10.0'	61	5.6	5.6
	12.5'	39	7.2	7.2