

Evoke® 4.75"

Round Adjustable C3M

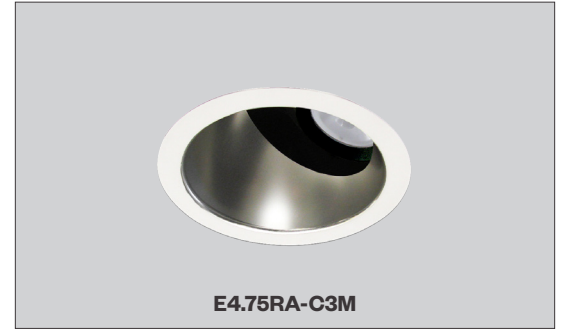


PROJECT:

TYPE:

Features

The Evoke 4.75 C3M offers impressive performance, higher lumen delivery and consistent color. Available in 15w or 23w with various beam distributions or 18W in Very Narrow Spot, and round or square aperture in a trimmed or trimless version. Suitable for a variety of lighting schemes featuring general accent task and display applications Evoke 4.75" C3M gives architects and lighting designers the flexibility to complete sustainable lighting designs.



E4.75RA-C3M

Product Overview

Type: Recessed Round Adjustable
Wattage: 15W, 18W (VNSP only), 23W
Color Temp: 2200K, 2700K, 3000K, 3500K, 4000K
CRI: 83 typ. (2700K, 3000K, 3500K, 4000K)
90+ typ. (2200K, 2700K, 3000K, 3500K, 4000K)
CrispWhite & 3K Class A LEDs available
Dimming: TRIAC & ELV, 5% Dim, 120/277VAC
Lutron LDE1 Hi-lume® 1% Soft-On/Fade-to-Black, 120/277VAC
0-10V, 1% Dim, 120/277VAC
DALI, 1% Dim, 120/277VAC

Certifications



Fixture Summary

Fixture Type

| Round/Square | New Construction | Trim | Trimless |
|--------------|------------------|------|----------|
| Yes | Yes | Yes | Yes |

See separate spec sheet for Square trim.

Electrical Data

| Voltage | 15W | | 18W | | 23W* | |
|---------|--------------|------|--------------|------|--------------|------|
| | System Watts | Amps | System Watts | Amps | System Watts | Amps |
| 120V | 15 | 0.13 | 18 | 0.15 | 23 | 0.19 |
| 277V | 15 | 0.05 | 18 | 0.06 | 23 | 0.08 |

Electronic constant current LED driver.

*Includes thermal protector, 2W power consumption.

Evoke® 4.75"

Round Adjustable C3M



PROJECT:

TYPE:

Ordering Information - Housing/Frame

| 1 | 2 | 3 | 4 | 5 | 6 | 7 | 8 |
|--|--|---|---|---|--|---|---|
| 1 Model For New Construction E4.75RA-C3M-NC-A17 (New Construction) E4.75RA-C3M-CP-A17 (Chicago Plenum (CCEA)) E4.75RA-C3M-IC-A17 (Insulated Ceiling/air tight, 15W only) | 2 Style T - trimmed TL - trimless (not available for use with Grid ceiling) | 3 Wattage 15 (120/277) 18 (VNSP only, not available for use with IC housing) 23 (not available for use with IC housing) | 4 Voltage 120 277 120/277 (for use with 15W only) | 5 Beam Spread VNSP very narrow spot, 8° (18W only) SP spot, 14° VNF very narrow flood, 18° NF narrow flood, 23° FL flood, 34° WF wide flood, 44° | 6 Color Temp 83 CRI 27 2700K-83 30 3000K-83 35 3500K-83 40 4000K-83 90+ CRI 229 2200K-90+ 279 2700K-90+ 309 3000K-90+ 359 3500K-90+ 409 4000K-90+ *Not available for VNSP beam spread | 7 Driver (for non-dimming, select LE/TE option) LE/TE TRIAC/ELV dimming, 5% dim HILUME-H-ECO Lutron LDE1 Hi-lume® 1% dim Soft-On/Fade-to-Black 0-10V 0-10V dimming; 1% dim DALI DALI dimming; 1% dim | 8 Options/Accessories HB49 hanger bars from min 29" to max 49" HEX hexocell louver SOL solite beam softening lens |

Ordering Information - Trim

E4.75RA-C3M-A17

| 1 | 2 | 3 |
|-----------------------------------|--|---|
| 1 Model E4.75RA-C3M-A17 | 2 Style T - trimmed TL - trimless (not available for use with Grid ceiling) | 3 Finish For Trimmed Fixture SDW semi-diffuse, white flange SDC semi-diffuse, clear flange (flange finish matches cone finish) MWW matte white, white flange MBB matte black, black flange For Trimless Fixture SD semi-diffuse MW matte white |

Evoke® 4.75"

Round Adjustable C3M



PROJECT:

TYPE:

Specifications

Application

Retail and commercial accent and display lighting

Construction

20 ga. steel painted matte black
Formed aperture plate with 5/8" lip
Cast aluminum plaster frame with perforated face (*for trimless fixture only*)
Integral adjustable locking mounting bars
Thermally protected (*23W only*)
Die-cast lamp housing and heat sink

Reflector Construction

Spun aluminum self-flanged reflector with angle cut
Steel mounting ring with torsion spring

Optical

0-35° tilt, 360°+ rotation
Beam Spreads: Very Narrow Spot, 8° (*18W only*); Spot, 14°;
Very Narrow Flood, 18°; Narrow Flood, 23°; Flood, 25°; Wide Flood, 44°

LED

Color Temp Options: 2200K, 2700K, 3000K, 3500K, 4000K
CRI: 83 typ. (*2700K, 3000K, 3500K, 4000K*)
90+ typ. (*2200K, 2700K, 3000K, 3500K, 4000K*)
CrispWhite* and Class A** LEDs available (*see description below*)

R9 Values: 11 (*83 CRI*), 55 (*92 CRI*)

Binning: 3 MacAdam (*SDCM*)

Life: 50,000+ hrs, > 70% of initial lumens at 50,000 hrs

* *CrispWhite: CrispWhite Technology delivers the warmth of colors expected from a high 90 CRI solution but also creates the natural crisp white color that is pleasing to the eye. It creates the most impactful lighting ever available, by revealing the richest whites and vibrant colors that pop.*

** *Class A LED: Class A LED's have a CRI > 80 and a GAI > 80. CRI defines color "Naturalness" and GAI defines color "Saturation." Both being high delivers rich colors and pure whites.*

Electrical

Wattage: 15W, 18W, 23W

Electronic constant current LED driver, 120/277VAC input

This product complies with IEEE C62.41 for surge endurance up to 2.5KV. Amerlux® recommends using additional surge protection with this unit (supplied by others), surge and over voltage damage is not covered under warranty.

Drivers

LE/TE - Leading Edge (*Triac, Forward Phase*) or Trailing Edge (*ELV, Reverse Phase*)

0-10V, Lutron and DALI systems also available

See pages 5-6 for more dimming information

Finish

Powder Coat/Wet paint

Consult factory for custom finishes

Mounting

26" Hanger bars included

Optional **HB49** - hanger bars from min 29" to max 49" available

Trimmed Fixture

For use in grid or sheetrock ceilings, max ceiling thickness 1"

Trimless Fixture

For use in sheetrock ceilings, max ceiling thickness 5/8"

Certifications

CSA approved to UL standards as tested by CSA

Chicago Plenum (*CCEA*) option

IC/AT rated (*15W only*) option

Warranty

5 year limited warranty

Evoke[®] 4.75"

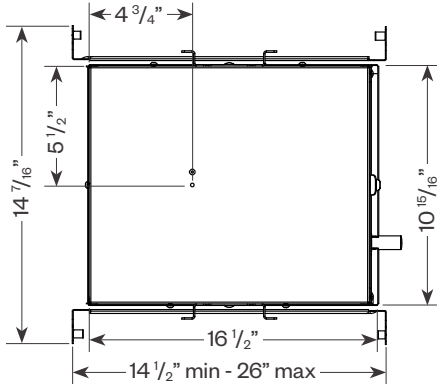
Round Adjustable C3M



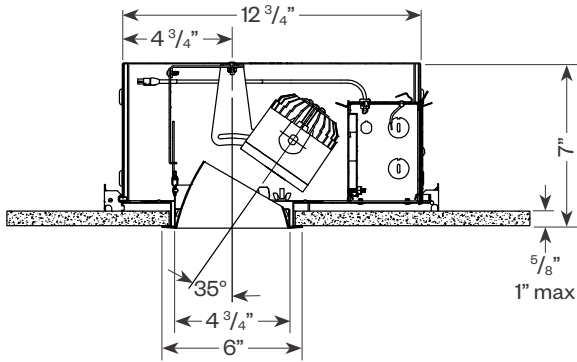
PROJECT:

TYPE:

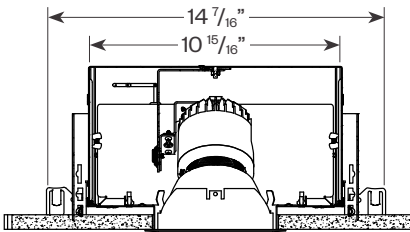
Product Details



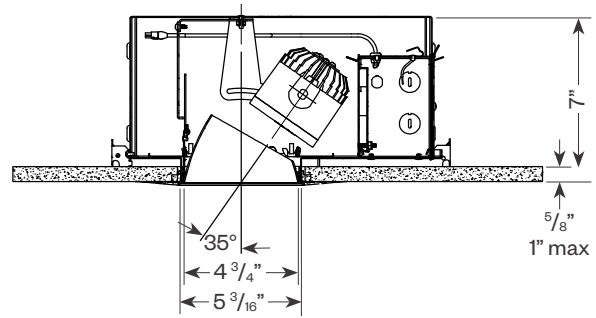
Trimmed



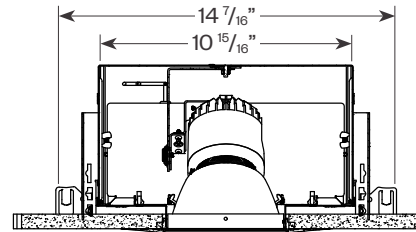
Ceiling cut out: 5 3/8" dia.



Trimless

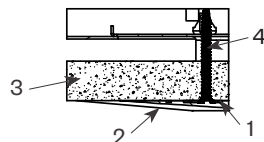


Ceiling cut out: 5 7/8" dia.



Plaster Frame Installation Detail (for trimless fixture only)

1. Cast Aluminum Plaster Frame
2. Plaster Skim Coat (by others)
3. Ceiling
4. Sheetrock Screw



Evolve[®] 4.75"

Round Adjustable C3M



| | |
|-----------------|--------------|
| PROJECT: | TYPE: |
|-----------------|--------------|

Dimming Compatibility

Amerlux[®] Classix[®] fixtures are compatible with all major dimming protocols prevalent in the United States. Please see below for general compatibilities and wiring diagrams. Amerlux recommends testing your unique dimming configuration as the exact full configuration (*Dimmer, Fixture Quantity, Voltage, etc*) may affect dimming performance.

--- NOTE: INFORMATION BELOW IS FOR WIRED DIMMERS ONLY. FOR WIRELESS DIMMERS, CONSULT FACTORY ---

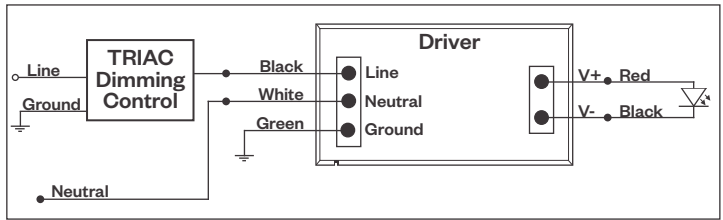
TRIAC (Forward Phase) Dimming

Utilizes standard TRIAC dimmers that are in wide use in installations across the US. Best for retrofit applications where TRIAC dimmers are installed.

Notes:

- 120VAC or 277VAC*
- Dims down to 5% light output (*most cases*)
- Consult Dimming manufacturer for installation instructions - **DO NOT SHARE NEUTRALS!**
- Must meet dimmer Minimum Load Requirements per dimming manufacturer

TRIAC Wiring Diagram



| Compatible Dimmers [†] : | |
|-----------------------------------|----------------------|
| Wall Box (TRIAC 120VAC) | Central System |
| Lutron "Diva" | Lutron "GP" Panel |
| Lutron "Nova-T" | Lutron Grafik Eye QS |
| Lutron "Maestro" | |
| Lutron "Skylark" | |

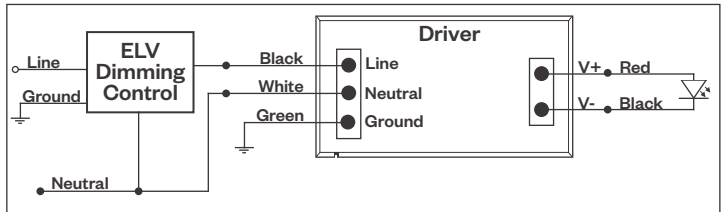
ELV - Electronic Low Voltage (Reverse Phase) Dimming

Utilizes specialized "ELV" dimmers.

Notes:

- 120VAC or 277VAC*
- Dims down to 5% light output (*most cases*)
- Consult Dimming manufacturer for installation instructions - **DO NOT SHARE NEUTRALS!**
- Must meet dimmer Minimum Load Requirements per dimming manufacturer

ELV Wiring Diagram



| Compatible Dimmers [†] : | | |
|-----------------------------------|---------------------------|--|
| Wall Box (ELV 120VAC) | Wall Box (ELV 277VAC) | Central System |
| Lutron "Diva" | Leviton Revoir II AWSMT-E | Lutron "GP" Panel with PHPM-PA 120/277VAC |
| Lutron "Nova-T" | | Lutron Grafik Eye QS with PHPM-PA 120/277VAC |
| Lutron "Maestro" | | |
| Lutron "Skylark" | | |
| Leviton "Surslide" | | |
| Leviton "Vizio" | | |

Notes:
 * Driver is 277VAC dimmable with appropriate dimmer (*by others*). All provided wiring diagrams show 120VAC wiring colors and method. Please refer to 277VAC dimmer installation instructions for 277VAC wiring diagrams.
 † The absence of a dimmer from the lists above does not imply incompatibility. Please consult factory for compatibility inquiries.

Evoke® 4.75"

Round Adjustable C3M



PROJECT:

TYPE:

Dimming Compatibility (continued)

Amerlux® Classix® fixtures are compatible with all major dimming protocols prevalent in the United States. Please see below for general compatibilities and wiring diagrams. Amerlux recommends testing your unique dimming configuration as the exact full configuration (*Dimmer, Fixture Quantity, Voltage, etc*) may affect dimming performance.

--- NOTE: INFORMATION BELOW IS FOR WIRED DIMMERS ONLY. FOR WIRELESS DIMMERS, CONSULT FACTORY ---

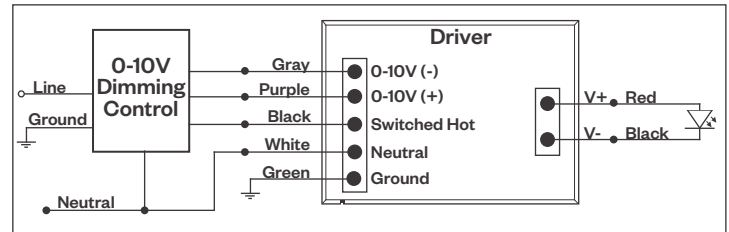
0-10V Dimming

Integrates into a variety of building management and daylighting controls

Notes:

- 120VAC or 277VAC*
- Dims down to 1% light output
- Requires interface to turn off power to driver
- Consult Dimming manufacturer for installation instructions - **DO NOT SHARE NEUTRALS!**

0-10V Wiring Diagram



Compatible Dimmers*:

| Wall Box | | Central System |
|-----------------------|-------------------------|--|
| Lutron "Diva" - DVSTV | Leviton Renoir II 0-10V | Lutron Grafik Eye with GRX-TVI Interface |

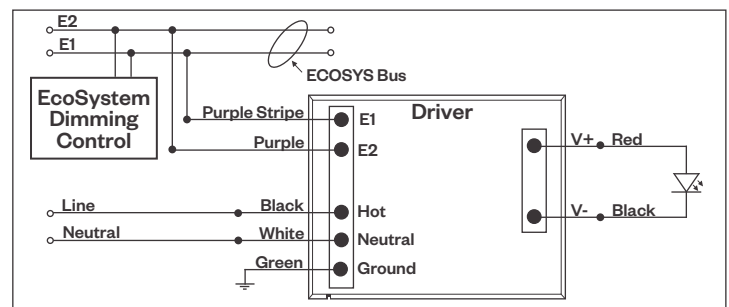
Lutron LDE1 Dimming

Integrates into Lutron EcoSystem building management

Notes:

- 120VAC or 277VAC*
- Dims down to 1% Soft-On/Fade-to-Black
- EcoSystem Control
- Consult Dimming manufacturer for installation instructions - **DO NOT SHARE NEUTRALS!**

LDE1 (HILUME-H-ECO) EcoSystem Digital Control Wiring Diagram



Compatible Dimmers*:

| Lutron ECO System | Central System |
|-------------------------|--------------------------------------|
| Pow Pak Dimming Modules | Lutron EcoSystem compatible controls |
| Energi Savr Node | |
| Grafik Eye QS/Homeworks | |
| QS Control Unit | |
| Quantum Hub | |
| Homeworks QS/My Room | |

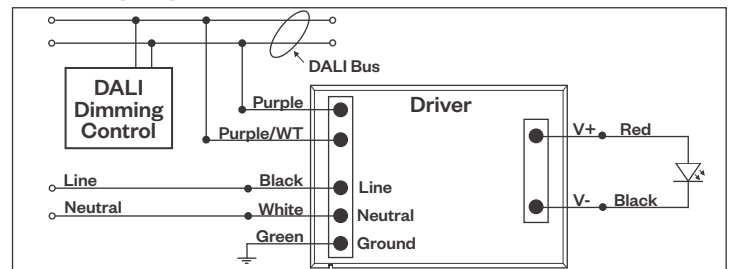
DALI Dimming

Digital control protocol allows individual fixture control

Notes:

- 120VAC - 277VAC*
- Dims down to 1% light output in most cases

DALI Wiring Diagram



Compatible Dimmers*:

| Wall Box (3-Wire Fluorescent) | Central System |
|-------------------------------|----------------|
| Leviton CD250 Controller | Dynalite |
| | Fifth Light |

Notes:

* Driver is 277VAC dimmable with appropriate dimmer (*by others*). All provided wiring diagrams show 120VAC wiring colors and method. Please refer to 277VAC dimmer installation instructions for 277VAC wiring diagrams.

† The absence of a dimmer from the lists above does not imply incompatibility. Please consult factory for compatibility inquiries.