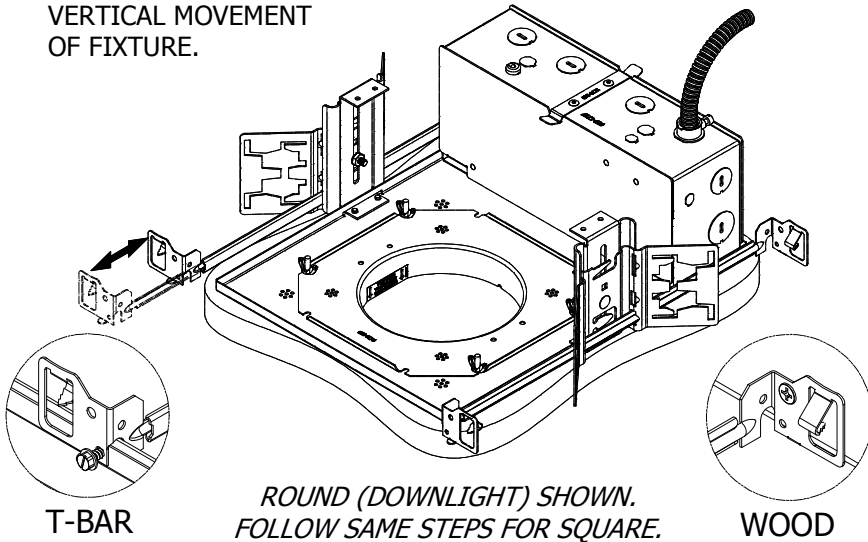


WARNING - RISK OF FIRE AND ELECTRICAL SHOCK. FIXTURE MUST BE INSTALLED BY A QUALIFIED ELECTRICIAN ONLY. FIXTURE IS INTENDED FOR INSTALLATION IN ACCORDANCE WITH THE NATIONAL ELECTRICAL CODE, LOCAL AND FEDERAL SPECIFICATIONS. DISCONNECT POWER AT ELECTRICAL PANEL BEFORE SERVICING.

RETAIN THESE INSTRUCTIONS FOR MAINTENANCE REFERENCE.

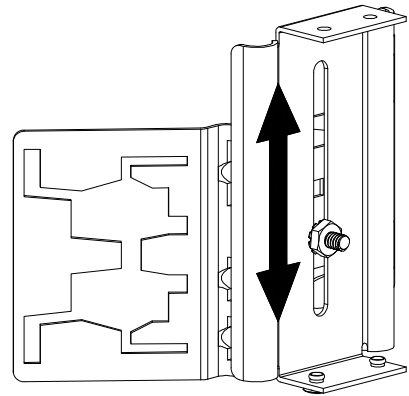
1 FRAME INSTALL/HORIZONTAL ADJUSTMENT

NOTE: FOR WALL WASH SEE "WALL WASH ORIENTATION".
 SPREAD HANGER BARS TO APPROPRIATE DISTANCE.
 FASTEN WITH HARDWARE (BY OTHERS) TO PREVENT VERTICAL MOVEMENT OF FIXTURE.



2 VERTICAL ADJUSTMENT

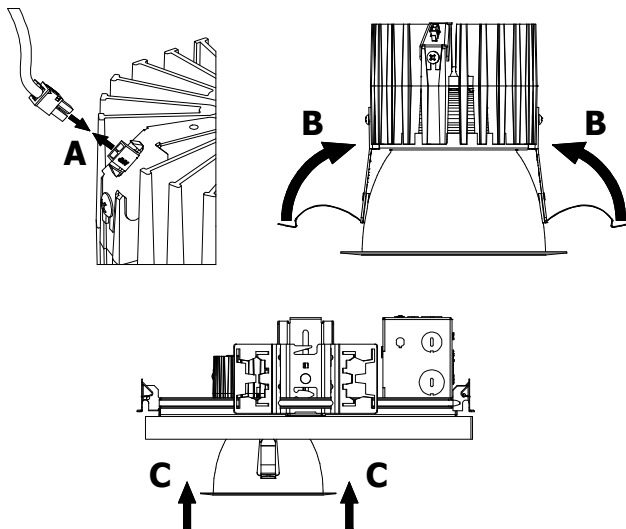
LOOSEN 3/8" NUT, ADJUST HEIGHT, THEN TIGHTEN NUT.



3 INSTALL OPTIC HEAD

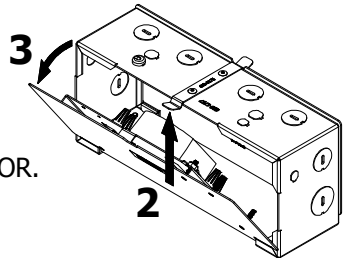
NOTE: DOWNLIGHT SHOWN

- A** MAKE HARNESS CONNECTION.
- B** COMPRESS OPTIC HEAD SPRING CLIPS.
- C** INSERT OPTIC HEAD INTO HOUSING.



DRIVER ACCESS

- 1** REMOVE THE OPTIC HEAD.
- 2** PUSH CLIP UP.
- 3** OPEN DRIVER HOUSING DOOR.



WALL WASH ORIENTATION

