

# EVOKE®

## 4.75" ROUND DOWNLIGHT LED INTERNATIONAL

I-E4.75RDX-A15  
LED

### APPLICATION:

Commercial & hospitality ambient lighting

### CONSTRUCTION:

18 ga. galvanized steel splice housing  
Die-cast aluminum heat sink

### OPTICS:

Spun aluminum self-flanged reflector trim, anodized finish  
High reflectance, highly diffuse mixing chamber in upper optic

### LED:

Color Temp: 2700K, 3000K, 3500K, 4000K  
CRI: 83 (2700K, 3000K, 3500K, 4000K)  
90+ typ. (2700K, 3000K, 3500K)  
CrispWhite & Class A LED available  
R9 Values: 11 (83CRI), 55 (90+CRI)  
Life: 50,000 hrs  
Lumen Maintenance: >70% of initial lumens @ 50,000 hrs  
Lumen Output (3000K): up to 3804 lm, up to 83 lm/w  
CBCP (3000K): up to 21,790  
Beam Options: Spot 15°, Flood 25°, Wide Flood 40°

### ELECTRICAL:

Electronic constant current LED driver, 240v input  
ELV or Triac dimming standard  
DALI driver option available  
**This product complies with IEEE C62.41 for surge endurance up to 2.5KV. Amerlux® recommends using additional surge protection with this unit (supplied by others), surge damage is not covered by warranty.**

### MOUNTING:

For use in sheetrock ceilings, max ceiling thickness 25 mm  
Consult factory for other thicknesses

### LABELING:

**CE**  
Damp location  
For indoor use only

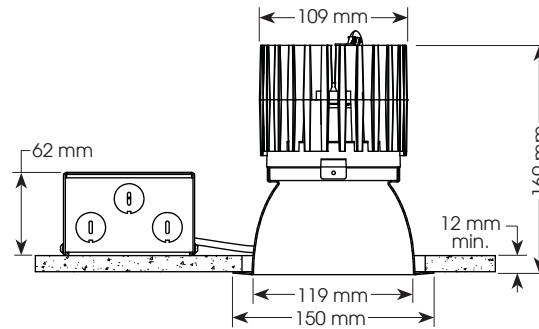
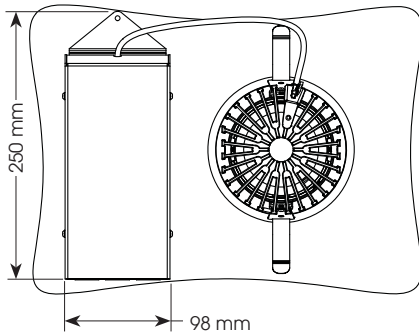


PROJECT:

TYPE:



Electrostatic sensitive device,  
observe precautions for  
handling



Ceiling Cut Out Dimension: 137 mm dia.

### ELECTRICAL

Driver	34W		40W		46W	
	System Watts	Amps	System Watts	Amps	System Watts	Amps
Electronic 240v	34	0.14	40	0.17	46	0.19

### ORDERING INFORMATION:

Model	Wattage	Lamp Type	Voltage	Aperture Cone/Flange Finish	Beam Spread	Color Temp (CCT-CRI)	Listing	Options
I-E4.75RDX-A15	34 40 46	LED	240	Reflector with White Painted Flange SDW - semi-diffuse MWW - matte white MBW - matte black  Reflector with Clear Flange (flange finish matches cone finish) SDC - semi-diffuse	SP - spot, 15° FL - flood, 25° WF - wide flood, 40°	27 - 2700K-83 30 - 3000K-83 35 - 3500K-83 40 - 4000K-83 229 - 2200K-90+ 279 - 2700K-90+ 309 - 3000K-90+ 359 - 3500K-90+ 3CLA - 3K Class A CRISP - CrispWhite	CE	DALI - DALI driver

Example: I-E4.75RDX-A15-40-LED-240-MWW-WF-30-CE

Cat #:

Amerlux reserves the right to change details that do not affect overall function and performance.

**3** year limited  
warranty  
(see website for details)

# EVOKE®

## 4.75" ROUND DOWNLIGHT LED INTERNATIONAL

I-E4.75RDX-A15  
LED



TYPE:



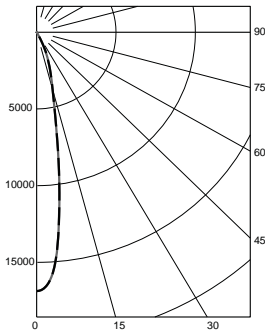
**FIXTURE DATA:** For 40W data, multiply 34W data by 1.17

Complete photometric data (ies format) available upon request.

CCT Correction Factors: 2700-83 = 0.96; 3500-83 = 1.02; 4000-83 = 1.04; 2200-90+ = 0.71; 2700-90+ = 0.80; 3000-90+ = 0.83; 3500-90+ = 0.87; CRISP = 0.65

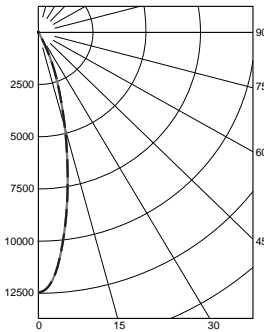
### 34W LED 3000K-83

SPOT  
DISTRIBUTION  
LTL # 1087061  
Lumen Output  
2761 lm; 72.6 lm/w



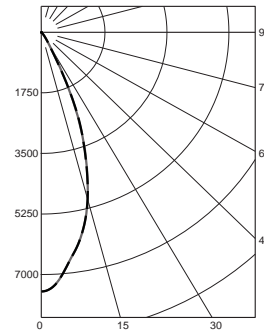
Candelas at Nadir	
Deg	Candela
0	16870
5	14230
15	3660
25	968
35	106
45	63

FLOOD  
DISTRIBUTION  
LTL # 1087059  
Lumen Output  
2984 lm; 78.4 lm/w



Candelas at Nadir	
Deg	Candela
0	12460
5	11040
15	4902
25	1177
35	123
45	50

WIDE FLOOD  
DISTRIBUTION  
LTL # 1087060  
Lumen Output  
3016 lm; 79.4 lm/w

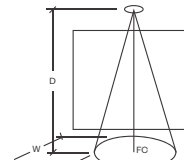


Candelas at Nadir	
Deg	Candela
0	7488
5	6980
15	4967
25	1807
35	220
45	55

### APPLICATION DATA:

**Notes and Definitions:**

Beam spread is to 50% center beam candlepower (CBCP).  
 D=Distance to floor or wall.  
 FC=Footcandles on floor or wall at center beam aiming location.  
 L=Effective Visual Beam length in feet (50% of maximum footcandle level).  
 W=Effective Visual Beam width in feet (50% of maximum footcandle level).  
 CB=Distance across or down to center beam location.



	D	FC	0° Aiming Angle Horizontal Footcandle	
			L	W
SPOT	5.0'	677	1.5	1.5
	7.5'	301	2.5	2.5
	10.0'	169	3.2	3.2
	12.5'	109	3.9	3.9
FLOOD	5.0'	500	2.2	2.2
	7.5'	222	3.3	3.3
	10.0'	125	4.3	4.3
	12.5'	80	5.3	5.3
WIDE FLOOD	5.0'	301	3.1	3.1
	7.5'	134	4.7	4.7
	10.0'	75	6.2	6.2
	12.5'	48	7.8	7.8

# EVOKE®

## 4.75" ROUND DOWNLIGHT LED INTERNATIONAL

I-E4.75RDX-A15  
LED



TYPE:



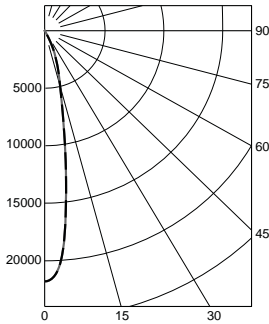
**FIXTURE DATA:** For 40w data, multiply 46w data by 0.87

Complete photometric data (ies format) available upon request.

CCT Correction Factors: 2700-83 = 0.96; 3500-83 = 1.02; 4000-83 = 1.04; 2200-90+ = 0.71; 2700-90+ = 0.80; 3000-90+ = 0.83; 3500-90+ = 0.87; CRISP = 0.65

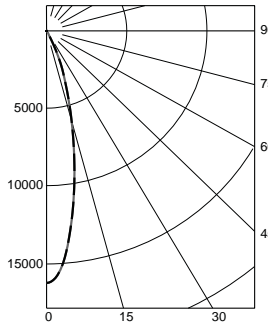
### 46W LED 3000K-83

SPOT  
DISTRIBUTION  
LTL # 1087056  
Lumen Output  
3499 lm; 74.4 lm/w



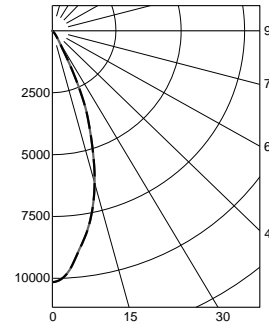
Candelas at Nadir	
Deg	Candela
0	21790
5	18150
15	4718
25	1198
35	137
45	68

FLOOD  
DISTRIBUTION  
LTL # 1087058  
Lumen Output  
3775 lm; 79.9 lm/w



Candelas at Nadir	
Deg	Candela
0	16290
5	14340
15	6224
25	1438
35	149
45	55

WIDE FLOOD  
DISTRIBUTION  
LTL # 1087057  
Lumen Output  
3804 lm; 80.5 lm/w

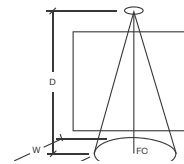


Candelas at Nadir	
Deg	Candela
0	10150
5	9394
15	6343
25	2163
35	267
45	59

### APPLICATION DATA:

**Notes and Definitions:**

Beam spread is to 50% center beam candlepower (CBCP).  
 D=Distance to floor or wall.  
 FC=Footcandles on floor or wall at center beam aiming location.  
 L=Effective Visual Beam length in feet (50% of maximum footcandle level).  
 W=Effective Visual Beam width in feet (50% of maximum footcandle level).  
 CB=Distance across or down to center beam location.



	0° Aiming Angle Horizontal Footcandle			
	D	FC	L	W
SPOT	5.0'	874	1.5	1.5
	7.5'	388	2.4	2.4
	10.0'	219	3.2	3.2
	12.5'	140	3.8	3.8
FLOOD	5.0'	653	2.1	2.1
	7.5'	291	3.2	3.2
	10.0'	164	4.2	4.2
	12.5'	105	5.2	5.2
WIDE FLOOD	5.0'	407	3.0	3.0
	7.5'	181	4.5	4.5
	10.0'	102	5.9	5.9
	12.5'	66	7.4	7.4