

Essenza®

Square Downlights



Features

Essenza LED Downlights are designed to deliver the features required for your Hotel and Residential High Rise or Commercial projects. Available with 12W or 18W LED modules, and centered around the outputs of traditional MR-16's, the Essenza is perfect for your lighting needs in these areas. The shallow frame (only 3-1/8" plenum depth) is universal to accept either round or square (standard) trims. Trims available include Downlight, Adjustable Accent, Wall Wash and Lensed Shower trims, giving designers the ability to complete any design scheme.

Product Overview

Type: Recessed Square Downlight, Accent, Wall Wash
Wattage: 12W, 18W
Lumen Output: 1,548 max; 87.3 Lm/W (EZSD Spot optic, 3000K-83)
Color Temp: 2200K, 2700K, 3000K, 3500K, 4000K
CRI: 83 typ. (2700K, 3000K, 3500K, 4000K)
 90+ typ. (2200K, 2700K, 3000K, 3500K, 4000K)
 CrispWhite & 3K Class A available
Dimming: TRIAC & ELV (120/277VAC) - 5% Dim
 Lutron LDE1 Hi-lume® 1% Soft-On/Fade-to-Black (120/277VAC)
 0-10V (120/277VAC) - 1% Dim
 DALI dimming - 1% Dim



Downlight



Adjustable

PROJECT:

TYPE:



Lens Wall Wash



Shower



Pinhole Downlight

Fixture Type

New Construction	Remodeler	Trim	Trimless
Yes	Yes	Yes	Yes

Performance Chart

Wattage	83 CRI			90+ CRI		
	Delivered Lumens	LPW	Color Temp	Delivered Lumens	LPW	Color Temp
12	1284	102.4	3000K-83	1074	85.7	3000K-90+
18	1548	87.3	3000K-83	1295	71.94	3000K-90+

Data is based on EZSD spot optic. See pages 6-9 for other beam spreads
 18W includes 2W thermal protector

Electrical Data

	12W		18W	
	System Watts	Amps	System Watts	Amps
120V	12	0.10	18	0.15
277V	12	0.04	18	0.06

Electronic constant current LED driver
 18W includes 2W thermal protector



PROJECT:

TYPE:

Housing/Frame Ordering Information

1	2	3	4	5	6
<p>1 Model For <u>New Construction</u> EZ-NC-A17† (New Construction) EZ-CP-A17† (Chicago Plenum (COEA) housing, 12W only) EZ-IC-A17** (Insulated Ceiling/air tight housing, 12W only)</p> <p>For <u>Existing Ceilings</u> EZ-REM-A17† (Remodeler, for existing ceilings)</p>	<p>2 Style T - trimmed STL - square trimless</p>	<p>3 Wattage 12* 18 (not available for use with CP or IC housing)</p>	<p>4 Voltage 120 277 120/277 (for use with IC housing only)</p>	<p>5 Driver (for non-dimming, select LE/TE option) LE/TE* - TRIAC/ELV dimming HILUME-H-ECO - Lutron LDE1 Hi-lume® 1% Soft-On/ Fade-to-Black 0-10V* - 0-10V dimming, 1% dim DALI - DALI dimming, 1% dim</p>	<p>6 Options/Accessories EM - integral emergency battery pack with remote test switch, requires 7" ceiling clearance (not available for use with REM, CP or IC option) HB49 - hanger bars from min 29" to max 49" (not available for use with REM options)</p>

Trim Ordering Information

1	2	3	4	5
<p>1 Model EZSD-A17** (downlight) EZSA-A17** (adjustable) EZSLW-A17† (wall wash) EZSSHW-A17** (shower, not available for use in trimless) EZSPD-A17** (pinhole downlight)</p>	<p>2 Style T - trimmed TL - trimless (not available for Shower (EZSSHW) trim)</p>	<p>3 Finish <u>SD/SA/SLW/SSHW Trims:</u> <u>Trimmed</u> MWW - matte white, white flange <u>Trimless</u> MW - matte white</p> <p><u>SPD Trim (Trimmed & Trimless):</u> MW - matte white</p>	<p>4 Beam Spreads (not for use with EZSLW trim) SP - spot, 15° FL - flood, 28° WF - wide flood, 45° (not available for use with EZSPD trim) VWF - very wide flood, 60° (not available for use with EZSPD trim)</p>	<p>5 Color Temp 83 CRI 90+ CRI 27 - 2700K-83 229 - 2200K-90+ CRISP - CrispWhite 30 - 3000K-83 279* - 2700K-90+ 3CLA - 3K Class A 35 - 3500K-83 309* - 3000K-90+ 40 - 4000K-83 359 - 3500K-90+ 409 - 4000K-90+</p>

* Title 24 Compliant

† The "A" refers to the sequential revision in a year and "XX" refers to the year of update. Updates coincide with improved performance while not changing the overall fixture aesthetic and are reflected in the published performance data. Please contact your Amerlux representative for explanations of changes.

PROJECT:

TYPE:

Specifications

Application

Hospitality, retail and commercial ambient, accent and wall wash lighting

Construction

20 ga. galvanized steel frame
18 ga. galvanized steel splice housing and hanger brackets (not for use with Remodeler version)
Cast aluminum plaster frame with perforated face (for trimless version only)
Die-cast optical housing, trim and heatsink

Optical

Beam spreads (for SD, SA, SSHW & SPD fixtures):

Spot, 15°; Flood, 28°; Wide Flood, 45°;
Very Wide Flood, 60°

Tilt (for SA fixture): 0-30° tilt lock, 355° rotation

Lens:

SLW fixture: Engineered nano technology lens provides high transmission while concealing LED image

Shower fixture: Siliconed solite lens

LED

Color Temp Options:

2200K, 2700K, 3000K, 3500K, 4000K

CRI: 83 typ. (2700K, 3000K, 3500K, 4000K)

90+ typ. (2200K, 2700K, 3000K, 3500K, 4000K)

CrispWhite* LED available

Class A** 3000K (high CRI, high gamut)

R9 Values: 11 (83 CRI), 55 (92 CRI)

Binning: 3 MacAdam (SDCM)

Life: 50,000+ hrs, > 70% of initial lumens at 50,000 hrs

**CrispWhite: CrispWhite Technology delivers the warmth of colors expected from a high 90 CRI solution but also creates the natural crisp white color that is pleasing to the eye. It creates the most impactful lighting ever available, by revealing the richest whites and vibrant colors that pop.*

***Class A LED: Class A LED's have a CRI > 80 and a GAI > 80. CRI defines color "Naturalness" and GAI defines color "Saturation." Both being high delivers rich colors and pure whites.*

Electrical

Wattage: 12, 18

Electronic constant current LED driver, 120/277VAC input

This product complies with IEEE C62.41 for surge endurance up to 2.5KV. Amerlux® recommends using additional surge protection with this unit (supplied by others), surge and over voltage damage is not covered under warranty.

Note: Drivers are universal but thermal protector is voltage specific

Drivers

LE/TE - Leading Edge, TRIAC, forward phase/Trailing Edge, ELV, reverse phase

0-10V, Lutron and DALI systems also available

See pages 13-14 for more dimming information

Finish

Powder coat paint

Consult factory for custom finishes

Mounting

26" Hanger bars included (except for Remodeler versions)

Optional **HB49** - hanger bars from min 29" to max 49" available

Trimmed

For use in T-grid or sheetrock ceilings, max thickness 1"

Trimless

For use in sheetrock ceilings, max thickness 5/8"

Certifications

CSA listed to UL standards

Damp location

Wet location (with Shower trim)

IC/AT (insulated ceiling/air tight) rated, 12W only, optional

Chicago Plenum (CCEA) optional

Title 24 Compliant (see ordering page for options that apply)

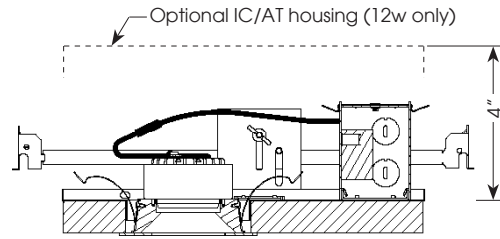
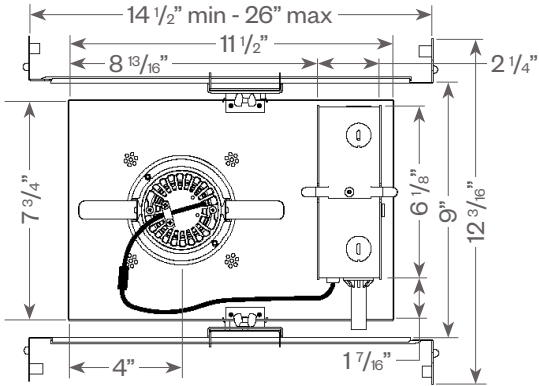
Warranty

3 year limited warranty

PROJECT:

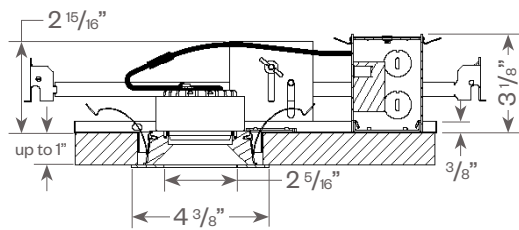
TYPE:

Essenza Square Downlight:

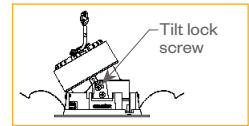
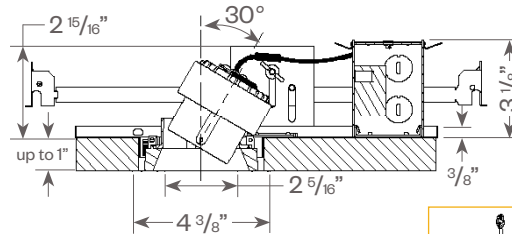


Ceiling cut out: 4" dia.

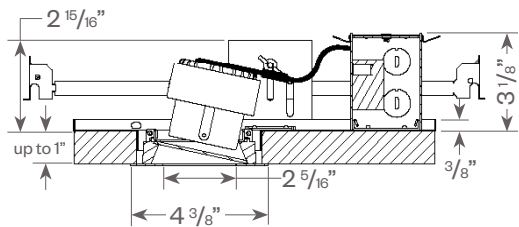
Downlight



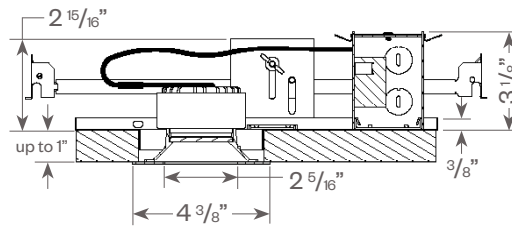
Adjustable



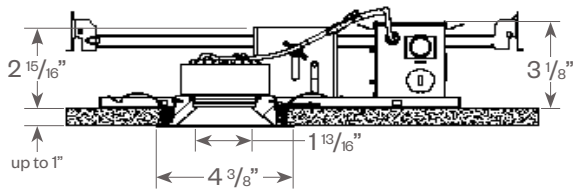
Lens Wall Wash



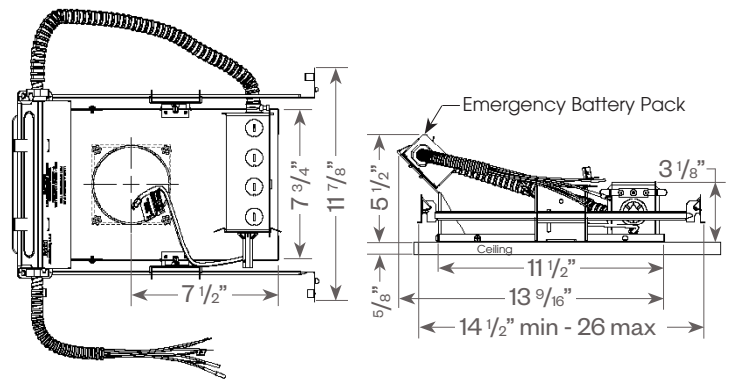
Shower



Pinhole Downlight



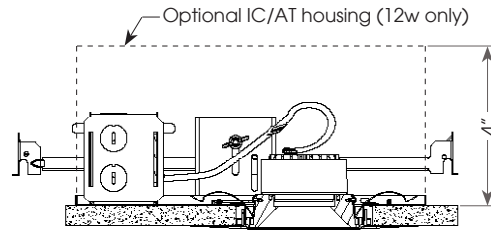
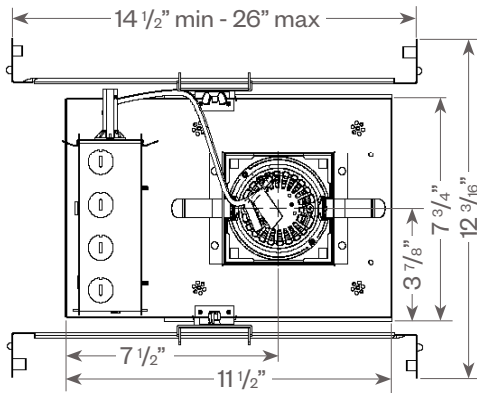
Frame with Emergency Battery Pack



PROJECT:

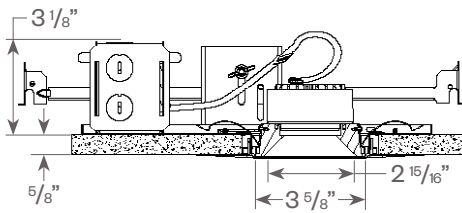
TYPE:

Essenza Square Downlight Trimless:

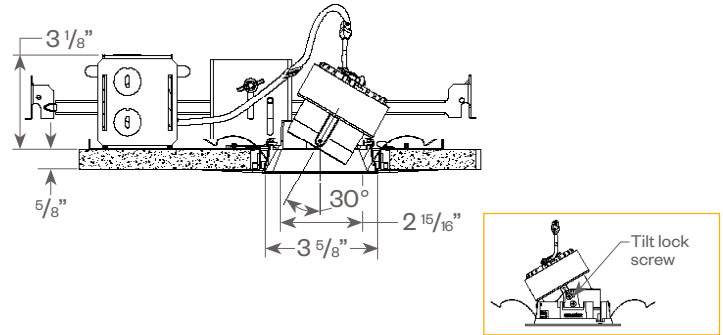


Trimless Ceiling cut out: 4 1/2" sq.

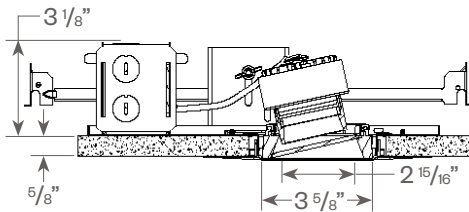
Downlight



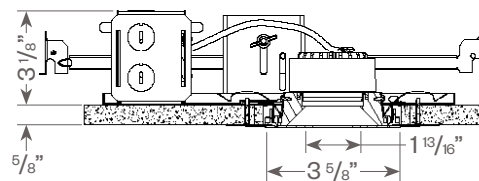
Adjustable



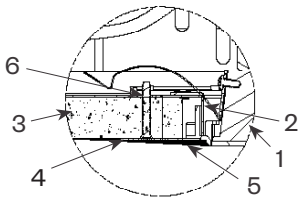
Lens Wall Wash



Pinhole Downlight

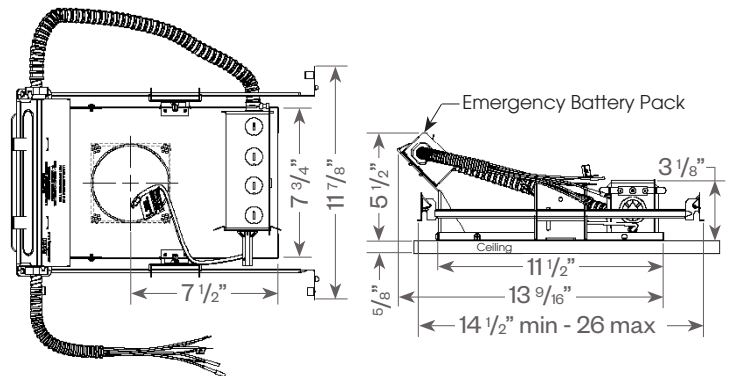


Plaster Frame Installation Detail
(for trimless fixture only)



1. Reflector Trim
2. Aperture plate
3. Ceiling 5/8"
4. Cast Aluminum Plaster Frame
5. Plaster Skim Coat (by others)
6. 6-32 Type F Thread Cutting Screw

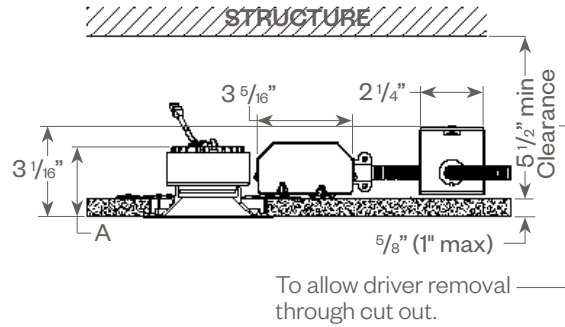
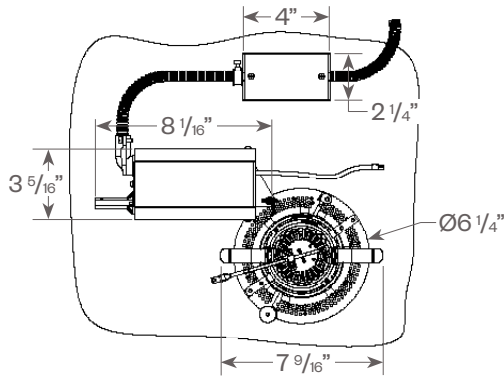
Frame with Emergency Battery Pack



PROJECT:

TYPE:

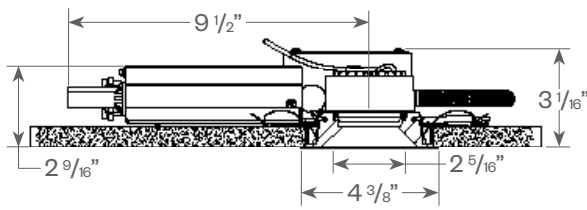
Essenza Square Remodeler:



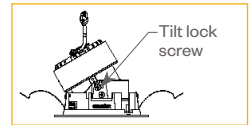
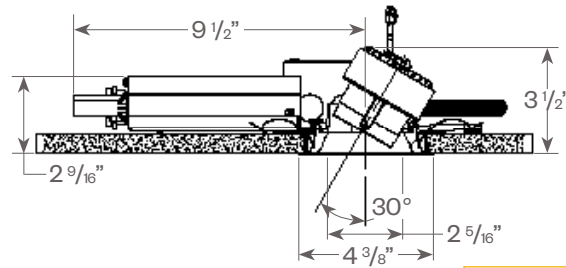
Product	A
EZ-SD-REM	2 3/8"
EZ-SA-REM	3 3/16"
EZ-SLW-REM	3 5/16"
EZ-SSHW-REM	2 3/8"
EZ-SPD-REM	2 3/8"

Ceiling cut out: 4" dia.

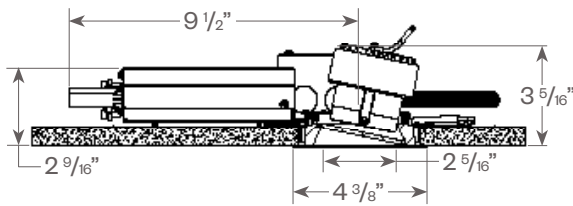
Downlight



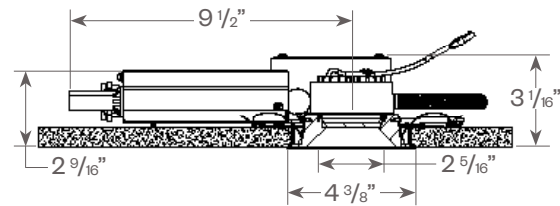
Adjustable



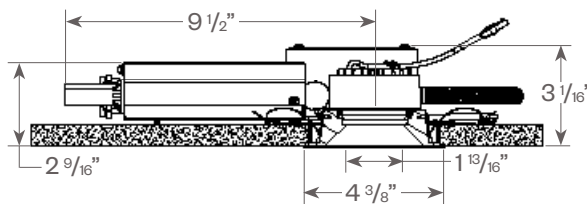
Lens Wall Wash



Shower



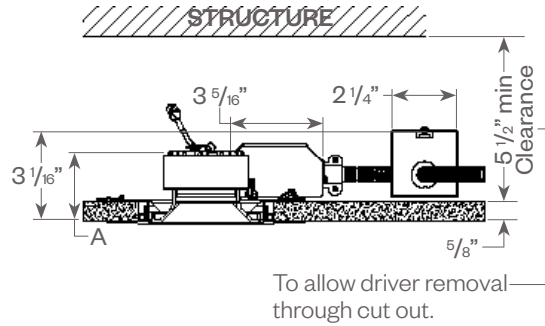
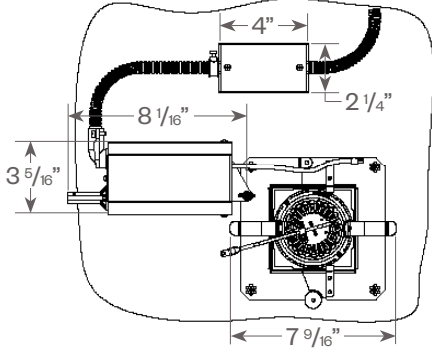
Pinhole Downlight



PROJECT:

TYPE:

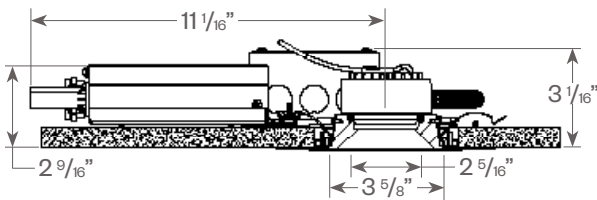
Essenza Square Remodeler Trimless:



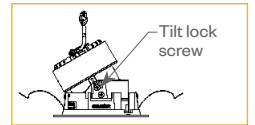
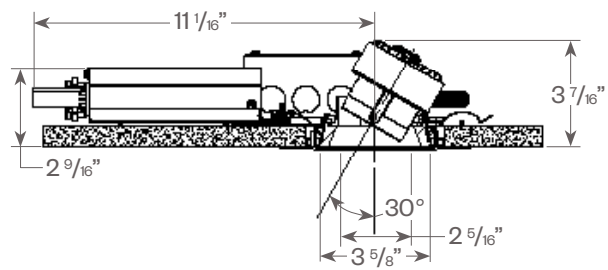
Product	A
EZ-SD-REM-TL	2 5/16"
EZ-SA-REM-TL	3 3/16"
EZ-SLW-REM-TL	3 1/4"
EZ-SPD-REM-TL	2 5/16"

Trimless Ceiling cut out: 4 1/2" sq.

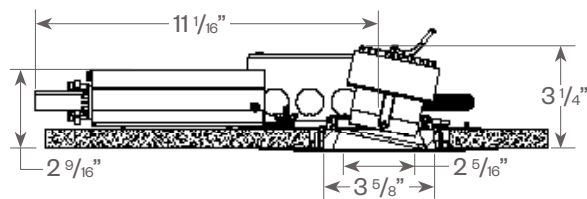
Downlight



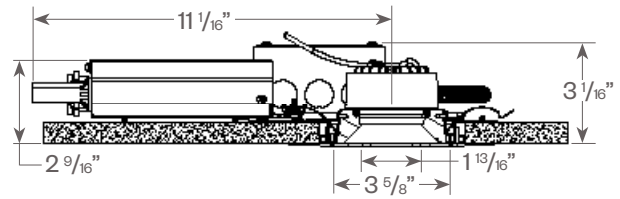
Adjustable



Lens Wall Wash

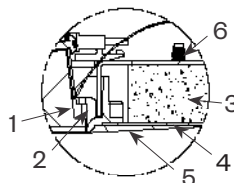


Pinhole Downlight



Plaster Frame Installation Detail (for trimless fixture only)

1. Reflector Trim
2. Aperture plate
3. Ceiling 5/8"
4. Cast Aluminum Plaster Frame
5. Plaster Skim Coat (by others)
6. 6-32 Type F Thread Cutting Screw



PROJECT:

TYPE:

Essenza Square Downlight:

FIXTURE DATA: (Complete photometric data (.ies format) available upon request)

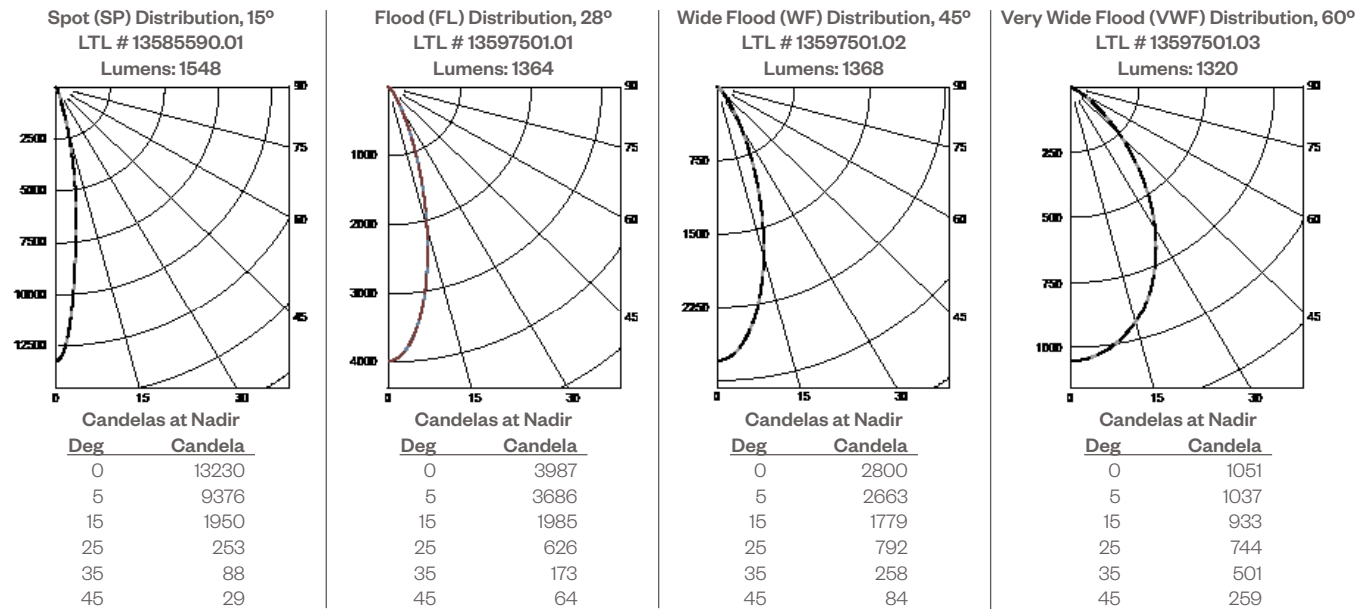
For updated performance issues prior to new IES file publication use the following multipliers on data below.

Wattage:	12W	18W
Factor:	0.83	1.0

CCT:	2700K-83	3000K-83	3500K-83	4000K-83
Factor:	0.96	1.0	1.02	1.04

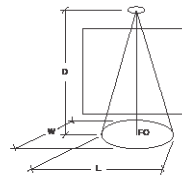
CCT:	2200K-90+	2700K-90+	3000K-90+	3500K-90+	4000K-90+	CRISP	3CLA
Factor:	0.71	0.80	0.83	0.87	0.90	0.65	0.75

18W LED, 3000K-83



Application Data:

	0° Aiming Angle Horizontal Footcandles			
	D	FC	L	W
Spot	5.0'	530	1.4	1.4
	7.5'	236	2.0	2.0
	10.0'	133	2.8	2.8
	12.5'	85	3.5	3.5
Flood	5.0'	160	2.6	2.6
	7.5'	71	3.7	3.7
	10.0'	40	5.0	5.0
	12.5'	26	6.3	6.3
Wide Flood	5.0'	112	3.0	3.0
	7.5'	50	4.6	4.6
	10.0'	28	6.0	6.0
	12.5'	18	7.6	7.6
Very Wide Flood	5.0'	42	5.0	5.0
	7.5'	19	7.4	7.4
	10.0'	11	9.9	9.9
	12.5'	7	12.8	12.8



Notes and Definitions:

- Beam spread is to 50% center beam candlepower (CBCP).
- D=Distance to floor or wall.
- FC=Footcandles on floor or wall at center beam aiming location.
- L=Effective Visual Beam length in feet (50% of maximum footcandle level).
- W=Effective Visual Beam width in feet (50% of maximum footcandle level).
- CB=Distance across or down to center beam location.

PROJECT:

TYPE:

Essenza Square Adjustable:

FIXTURE DATA: (Complete photometric data (.ies format) available upon request)

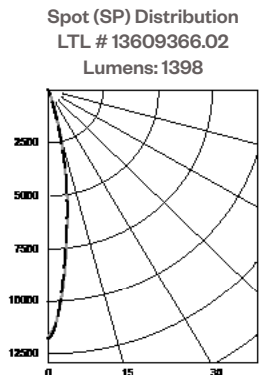
MULTIPLYING FACTORS: (Multiplying Factor is based on 3000K-83, 120V IES file on website)

Wattage:	12W	18W
Factor:	0.83	1.0

CCT:	2700K-83	3000K-83	3500K-83	4000K-83
Factor:	0.96	1.0	1.02	1.04

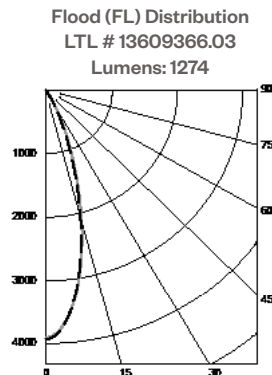
CCT:	2200K-90+	2700K-90+	3000K-90+	3500K-90+	4000K-90+	CRISP	3CLA
Factor:	0.71	0.80	0.83	0.87	0.90	0.65	0.75

18W LED, 3000K-83



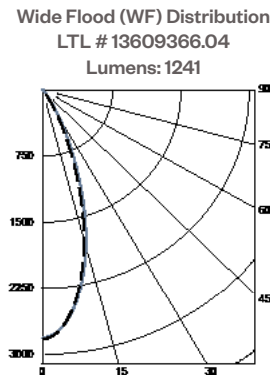
Candelas at Nadir

Deg	Candela
0	11760
5	8578
15	1983
25	228
35	22
45	11



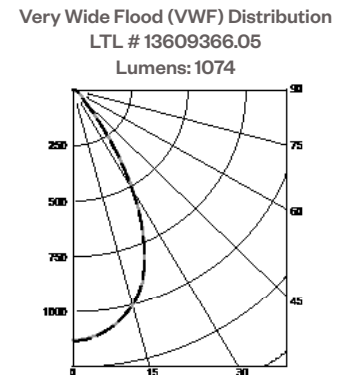
Candelas at Nadir

Deg	Candela
0	3935
5	3628
15	2024
25	599
35	88
45	26



Candelas at Nadir

Deg	Candela
0	2823
5	2680
15	1830
25	742
35	135
45	31




Candelas at Nadir

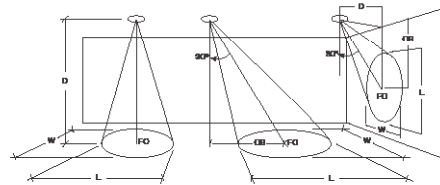
Deg	Candela
0	1131
5	1112
15	998
25	708
35	283
45	68

Application Data:

30° Aiming Angle Horizontal Footcandles



	D	FC	L	W
Spot	5.0'	471	1.5	1.5
	7.5'	210	2.2	2.1
	10.0'	118	3.0	2.9
	12.5'	76	3.6	3.6
Flood	5.0'	158	2.6	2.6
	7.5'	70	3.8	3.7
	10.0'	40	5.1	5.0
	12.5'	25	6.4	6.2
Wide Flood	5.0'	113	3.1	3.0
	7.5'	51	4.6	4.4
	10.0'	29	6.1	5.9
	12.5'	18	7.6	7.4
Very Wide Flood	5.0'	46	4.5	4.5
	7.5'	20	6.8	6.7
	10.0'	12	9.1	9.0
	12.5'	8	11.4	11.3



Notes and Definitions:

Beam spread is to 50% center beam candlepower (CBCP).

D=Distance to floor or wall.

FC=Footcandles on floor or wall at center beam aiming location.

L=Effective Visual Beam length in feet (50% of maximum footcandle level).

W=Effective Visual Beam width in feet (50% of maximum footcandle level).

CB=Distance across or down to center beam location.

PROJECT:

TYPE:

Essenza Square Lens Wall Wash:

FIXTURE DATA: (Complete photometric data (.ies format) available upon request)

MULTIPLYING FACTORS: (Multiplying Factor is based on 3000K-90+ 120V IES file on website)

Wattage:	12W	18W
Factor:	0.83	1.0

CCT:	2700K-83	3000K-83	3500K-83	4000K-83
Factor:	0.96	1.0	1.02	1.04

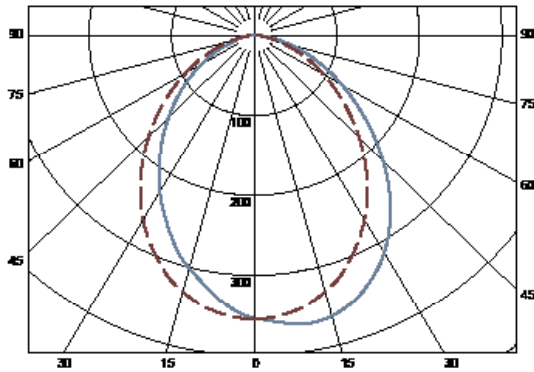
CCT:	2200K-90+	2700K-90+	3000K-90+	3500K-90+	4000K-90+	CRISP	3CLA
Factor:	0.71	0.80	0.83	0.87	0.90	0.65	0.75

18W LED, 3000K-83

Lens Wall Wash (RLW) Distribution

LTL #13609366.06

Lumens: 787



ZONAL LUMEN SUMMARY

Zone	Lumens	%Fixt
0-40	413	52.5
0-60	666	84.6
0-90	787	100.0
90-180	0	0.0

Luminaire Efficacy: 43.0 lumens/watt

Application Data:

Footcandles are average and rounded off.
Data for multiple units are based on a minimum of five units.

Footcandles on Wall

1.5 Feet From Wall

Distance from ceiling	1.5' Spacing				
	0.5'	1.5'	2.5'	3.5'	4.5'
0.5'	35	36	39	36	35
1.5'	62	65	67	65	62
2.5'	42	46	47	46	42
3.5'	26	28	29	28	26
4.5'	17	18	19	18	17
5.5'	11	12	13	12	11
6.5'	8	9	9	9	8
7.5'	6	7	7	7	6

1.5 Feet From Wall

Distance from ceiling	2' Spacing						
	0.5'	1.5'	2.5'	3.5'	4.5'	5.5'	6.5'
0.5'	25	32	25	33	25	32	25
1.5'	46	53	49	53	49	53	47
2.5'	33	36	36	37	36	36	33
3.5'	21	22	23	24	23	23	21
4.5'	14	15	15	16	15	15	14
5.5'	10	10	11	11	11	10	10
6.5'	7	8	8	8	8	8	7
7.5'	6	6	6	6	6	6	6

2 Feet From Wall

Distance from ceiling	2' Spacing					
	0.5'	1.5'	2.5'	3.5'	4.5'	5.5'
0.5'	15	17	17	17	17	16
1.5'	31	34	34	35	34	32
2.5'	31	33	34	34	33	31
3.5'	23	24	25	26	25	23
4.5'	16	17	18	18	18	16
5.5'	11	12	13	13	13	12
6.5'	9	9	10	10	10	9
7.5'	7	7	8	8	8	7

PROJECT:

TYPE:

Essenza Square Shower:

FIXTURE DATA: (Complete photometric data (.ies format) available upon request)

MULTIPLYING FACTORS: (Multiplying Factor is based on 3000K-97 120V IES file on website)

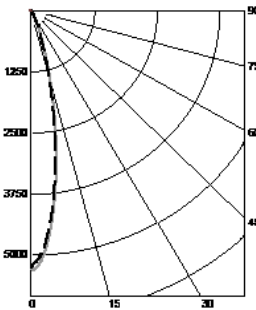
Wattage:	12W	18W
Factor:	0.83	1.0

CCT:	2700K-83	3000K-83	3500K-83	4000K-83
Factor:	1.16	1.20	1.23	1.25

CCT:	2200K-90+	2700K-90+	3000K-90+	3500K-90+	4000K-90+	CRISP	3CLA
Factor:	0.85	0.96	1.0	1.05	1.08	0.79	0.90

18W LED, 3000K-90+

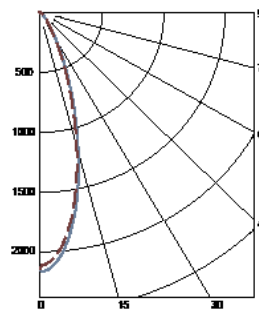
Spot (SP) Distribution
LTL #1163295
Lumens: 932.8



Candelas at Nadir

Deg	Candela
0	5257
5	4419
15	1354
25	245
35	70
45	26

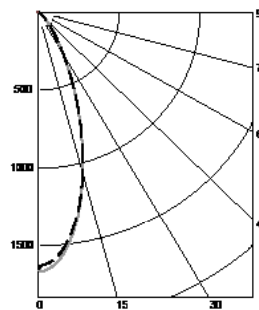
Flood (FL) Distribution
LTL #1163296
Lumens: 872.8



Candelas at Nadir

Deg	Candela
0	2145
5	2030
15	1206
25	465
35	145
45	51

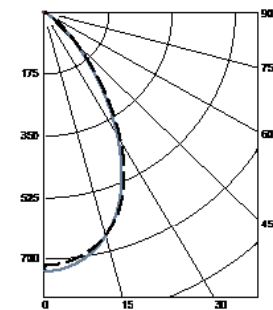
Wide Flood (WF) Distribution
LTL #1163297
Lumens: 866.3



Candelas at Nadir

Deg	Candela
0	1651
5	1584
15	1060
25	497
35	181
45	64

Very Wide Flood (VWF) Distribution
LTL #1163298
Lumens: 837.5




Candelas at Nadir

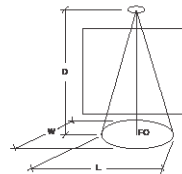
Deg	Candela
0	727
5	725
15	656
25	504
35	295
45	124

Application Data:

0° Aiming Angle Horizontal Footcandles



	D	FC	L	W
Spot	5.0'	211	1.7	1.7
	7.5'	94	2.8	2.7
	10.0'	53	3.6	3.4
	12.5'	34	4.5	4.3
Flood	5.0'	86	2.8	2.7
	7.5'	38	4.1	3.9
	10.0'	22	5.5	5.3
	12.5'	14	6.9	6.6
Wide Flood	5.0'	66	3.1	3.1
	7.5'	30	4.6	4.6
	10.0'	17	6.1	6.1
	12.5'	11	7.7	7.7
Very Wide Flood	5.0'	29	4.8	4.9
	7.5'	13	7.2	7.4
	10.0'	7	9.7	9.9
	12.5'	5	12.4	12.7



Notes and Definitions:

Beam spread is to 50% center beam candlepower (CBCP).

D=Distance to floor or wall.

FC=Footcandles on floor or wall at center beam aiming location.

L=Effective Visual Beam length in feet (50% of maximum footcandle level).

W=Effective Visual Beam width in feet (50% of maximum footcandle level).

CB=Distance across or down to center beam location.

PROJECT:

TYPE:

Essenza Square Pinhole Downlight:

FIXTURE DATA: (Complete photometric data (.ies format) available upon request)

For updated performance issues prior to new IES file publication use the following multipliers on data below.

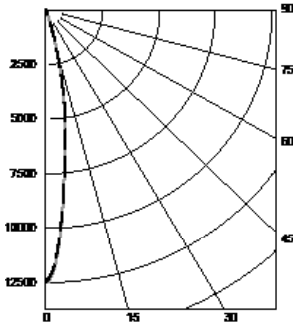
Wattage:	12W	18W
Factor:	0.83	1.0

CCT:	2700K-83	3000K-83	3500K-83	4000K-83
Factor:	0.96	1.0	1.02	1.04

CCT:	2200K-90+	2700K-90+	3000K-90+	3500K-90+	4000K-90+	CRISP	3CLA
Factor:	0.71	0.80	0.83	0.87	0.90	0.65	0.75

18W LED, 3000K-83

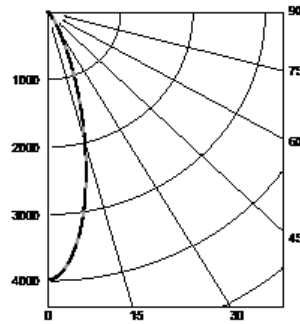
Spot (SP) Distribution, 15°
LTL # 13609366.07
Lumens: 1418



Candelas at Nadir

Deg	Candela
0	12470
5	8696
15	1748
25	214
35	66
45	13

Flood (FL) Distribution, 28°
LTL # 13609366.08A
Lumens: 1304



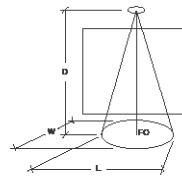
Candelas at Nadir

Deg	Candela
0	3985
5	3667
15	1932
25	578
35	150
45	39

Application Data:

0° Aiming Angle
Horizontal
Footcandles

	D	FC	L	W
Spot	5.0'	499	1.4	1.4
	7.5'	222	2.0	2.0
	10.0'	125	2.8	2.8
	12.5'	80	3.5	3.5
Flood	5.0'	160	2.6	2.6
	7.5'	71	3.7	3.7
	10.0'	40	5.0	5.0
	12.5'	26	6.2	6.2



Notes and Definitions:

Beam spread is to 50% center beam candlepower (CBCP).

D=Distance to floor or wall.

FC=Footcandles on floor or wall at center beam aiming location.

L=Effective Visual Beam length in feet (50% of maximum footcandle level).

W=Effective Visual Beam width in feet (50% of maximum footcandle level).

CB=Distance across or down to center beam location.

PROJECT:

TYPE:

DIMMING COMPATIBILITY:

Amerlux® Essenza fixtures are compatible with all major dimming protocols prevalent in the United States. Please see below for general compatibilities and wiring diagrams. Amerlux recommends testing your unique dimming configuration as the exact full configuration (Dimmer, Fixture Quantity, Voltage, etc) may affect dimming performance.

--- NOTE: INFORMATION BELOW IS FOR WIRED DIMMERS ONLY. FOR WIRELESS DIMMERS, CONSULT FACTORY ---

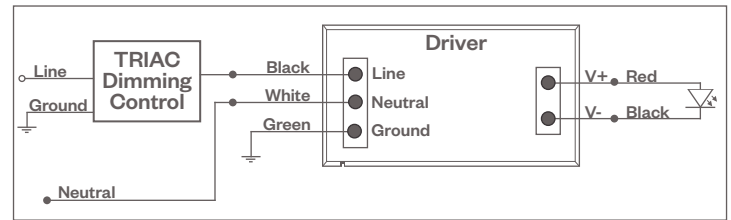
TRIAC (Forward Phase) DIMMING (Standard)

Utilizes standard TRIAC dimmers that are in wide use in installations across the US. Best for retrofit applications where TRIAC dimmers are installed.

Notes:

- 120VAC or 277VAC*
- Dims down to 5% light output (most cases)
- Consult Dimming manufacturer for installation instructions - DO NOT SHARE NEUTRALS!
- Must meet dimmer Minimum Load Requirements per dimming manufacturer

TRIAC Wiring Diagram



Compatible Dimmers*:

Wall Box (TRIAC 120VAC)	Central System
Lutron "Diva"	Lutron "GP" Panel
Lutron "Nova-T"	Lutron Grafik Eye QS
Lutron "Maestro"	
Lutron "Skylark"	

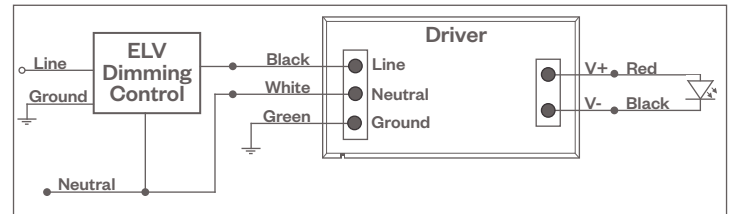
ELV - Electronic Low Voltage (Reverse Phase) DIMMING (Standard)

Utilizes specialized "ELV" dimmers.

Notes:

- 120VAC or 277VAC*
- Dims down to 5% light output (most cases)
- Consult Dimming manufacturer for installation instructions - DO NOT SHARE NEUTRALS!
- Must meet dimmer Minimum Load Requirements

ELV Wiring Diagram



Compatible Dimmers*:

Wall Box (ELV 120VAC)	Wall Box (ELV 277VAC)	Central System
Lutron "Diva"	Leviton Revoir II AWSMT-E	Lutron "GP" Panel with PHPM-PA 120/277VAC
Lutron "Nova-T"		Lutron Grafik Eye QS with PHPM-PA 120/277VAC
Lutron "Maestro"		
Lutron "Skylark"		
Leviton "Surslide"		
Leviton "Vizio"		

Notes:

- * Driver is 277VAC dimmable with appropriate dimmer (by others). All provided wiring diagrams show 120VAC wiring colors and method. Please refer to 277VAC dimmer manufacturer installation instructions for 277VAC wiring diagrams.
- † The absence of a dimmer from the lists above does not imply incompatibility. Please consult factory for compatibility inquiries.

PROJECT:

TYPE:

DIMMING COMPATIBILITY:

Amerlux® Essenza fixtures are compatible with all major dimming protocols prevalent in the United States. Please see below for general compatibilities and wiring diagrams. Amerlux recommends testing your unique dimming configuration as the exact full configuration (Dimmer, Fixture Quantity, Voltage, etc) may affect dimming performance.

--- NOTE: INFORMATION BELOW IS FOR WIRED DIMMERS ONLY. FOR WIRELESS DIMMERS, CONSULT FACTORY ---

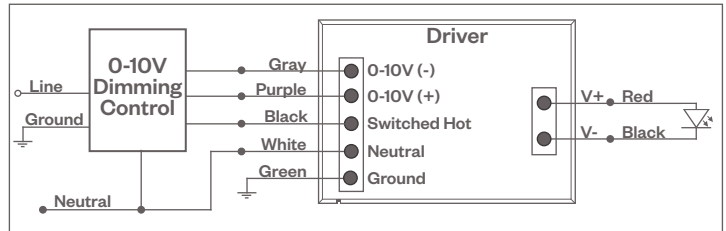
0-10V DIMMING

Integrates into a variety of building management and daylighting controls

Notes:

- 120VAC or 277VAC*
- Dims down to 1% light output
- Requires interface to turn off power to driver
- Consult Dimming manufacturer for installation instructions - DO NOT SHARE NEUTRALS!

0-10V Wiring Diagram



Compatible Dimmers*:

Wall Box

Lutron "Diva" - DVSTV | Leviton Renoir II 0-10V

Central System

Lutron Grafik Eye with GRX-TV1 Interface

LUTRON LDE1 DIMMING

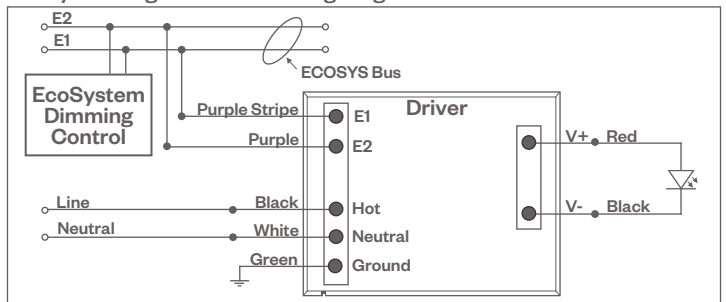
Integrates into Lutron EcoSystem building management

Notes:

- 120VAC or 277VAC*
- Dims down to 1% Soft-On/Fade-to-Black
- EcoSystem Control
- Consult Dimming manufacturer for installation instructions - DO NOT SHARE NEUTRALS!

Lutron LDE1 (HILUME-H-ECO)

EcoSystem Digital Control Wiring Diagram



Compatible Dimmers*:

Lutron ECO System

Pow Pak Dimming Modules
Energj Savr Node
Grafik Eye QS/Homeworks
QS Control Unit
Quantum Hub
Homeworks QS/My Room

Central System

Lutron EcoSystem compatible controls

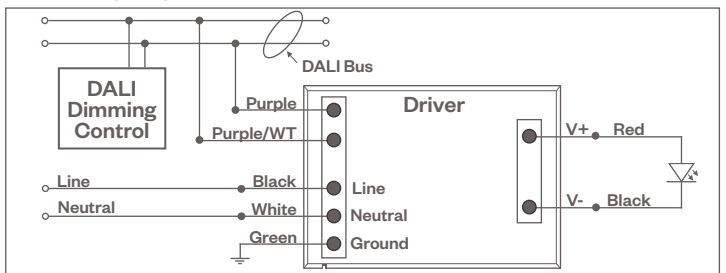
DALI DIMMING

Digital control protocol allows individual fixture control

Notes:

- 120VAC - 277VAC*
- Dims down to 1% light output in most cases

DALI Wiring Diagram



Compatible Dimmers*:

Wall Box (3-Wire Fluorescent)

Leviton CD250 Controller

Central System

Dynalite
Fifth Light

Notes:

- * Driver is 277VAC dimmable with appropriate dimmer (by others). All provided wiring diagrams show 120VAC wiring colors and method. Please refer to 277VAC dimmer manufacturer installation instructions for 277VAC wiring diagrams.
- † The absence of a dimmer from the lists above does not imply incompatibility. Please consult factory for compatibility inquiries.