

Essenza[®] HP

2000 LM Square Downlight



Features

Essenza HP LED Downlights are designed to deliver high punch of light for high ceilings and high ambient applications. The shallow frame (only 3-1/8" plenum depth*) is universal to accept either the round or square Essenza HP downlight trims.

* New construction only (see pg 4&5 for CP & REM requirements)

Product Overview

Type: Recessed Square Downlight
 Wattage: 23
 Lumen Output: 2048 lm (WF optic, 3000K, 83 CRI)
 Color Temp: 2200K, 2700K, 3000K, 3500K, 4000K
 CRI: 83 typ. (2700K, 3000K, 3500K, 4000K)
 90+ typ. (2200K, 2700K, 3000K, 3500K, 4000K)
 Dimming: CrispWhite & 3K Class A available
 TRIAC & ELV (120/277VAC) - 5% Dim
 Lutron Hi-lume[®] H Series/EcoSystem - 1% dim with soft on, fade to black, 120/277VAC
 0-10V (120/277VAC) - 1% Dim
 DALI dimming - 1% Dim



PROJECT:

TYPE:

PRODUCT DISCONTINUED
 Replacement Product: Hornet HP Select



Trimless

Fixture Type

| New Construction | Remodeler | Trim | Trimless |
|------------------|-----------|------|----------|
| Yes | Yes | Yes | Yes |

Performance Chart

| Wattage | Delivered Lumens | LPW | Color Temp |
|---------|------------------|-----|------------|
| 23 | 2048 | 89 | 3000K-83 |

Data based on Wide Flood optic, 3000K-83 ies files available on website.
 See page 6 for other performance data.

Electrical Data

| | 23W | |
|------|--------------|------|
| | System Watts | Amps |
| 120V | 23 | 0.19 |
| 277V | 23 | 0.08 |

Electronic constant current LED driver
 Includes 2W thermal protector



PROJECT:

TYPE:

Housing/Frame Ordering Information

| | | | | | |
|--|---|-------------------------------|---------------------------------------|--|---|
| 1 | 2 | 3 | 4 | 5 | 6 |
| 1 <u>Model</u> For New Construction EZ-HP-NC-A17[†] (New Construction) EZ-HP-CP-A17[†] (Chicago Plenum (CCEA) housing) For Existing Ceilings EZ-HP-REM-A17[†] (Remodeler, for existing ceilings) | 2 <u>Style</u> T - trimmed STL - square trimless | 3 <u>Wattage</u> 23 | 4 <u>Voltage</u> 120 277 | 5 <u>Driver</u> (for non-dimming, select LE/TE option) LE/TE - TRIAC/ELV dimming, 5% dim HILUME-H-ECO - Lutron Hi-lume® H Series, EcoSystem, 1% dim with soft on, fade to black O-10V - 0-10V dimming, 1% dim DALI - DALI dimming, 1% dim | 6 <u>Options/Accessories</u> EM - integral emergency battery pack with remote test switch, requires 7" ceiling clearance (not available for use with REM or CP option) |

Trim Ordering Information

| | | | | |
|--|---|---|---|---|
| 1 | 2 | 3 | 4 | 5 |
| 1 <u>Model</u> EZ-HP-SD-A17[†] (downlight) | 2 <u>Style</u> T - trimmed TL - trimless | 3 <u>Finish</u> <u>Trimmed</u> MWW - matte white, white flange SLVW - matte silver, white flange <u>Trimless</u> MW - matte white For other finishes consult factory, specify internal cone and trim ring finishes separately | 4 <u>Beam Spreads</u> NF - narrow flood, 21° WF - wide flood, 45° VWF - very wide flood, 60° | 5 <u>Color Temp</u> 27 - 2700K-83 229 - 2200K-90+ CRISP - CrispWhite 30 - 3000K-83 279 - 2700K-90+ 3CLA - 3K Class A 35 - 3500K-83 309 - 3000K-90+ 40 - 4000K-83 359 - 3500K-90+ 409 - 4000K-90+ |

[†] The "A" refers to the sequential revision in a year and "XX" refers to the year of update. Updates coincide with improved performance while not changing the overall fixture aesthetic and are reflected in the published performance data. Please contact your Amerlux representative for explanations of changes.

Essenza® HP

2000 Lumen Square Downlight



PROJECT:

TYPE:

Specifications

Application

Hospitality, retail and commercial ambient

Construction

20 ga. galvanized steel frame
18 ga. galvanized steel splice housing and hanger brackets
(not for use with Remodeler version)
Cast aluminum plaster frame with perforated face (for trimless version only)
Die-cast optical housing, trim and heatsink

Optical

Molded acrylic TIR optic

Beam spreads:

Narrow Flood, 21°; Wide Flood, 45°;
Very Wide Flood, 60°

LED

Color Temp Options:

2200K, 2700K, 3000K, 3500K, 4000K

CRI: 83 typ. (2700K, 3000K, 3500K, 4000K)

90+ typ. (2200K, 2700K, 3000K, 3500K, 4000K)

CrispWhite* LED available,

Class A** 3000K (high CRI, high gamut)

R9 Values: 11 (83 CRI), 55 (92 CRI)

Binning: 3 MacAdam (SDCM)

Life: 50,000+ hrs, > 70% of initial lumens at 50,000 hrs

**CrispWhite: CrispWhite Technology delivers the warmth of colors expected from a high 90 CRI solution but also creates the natural crisp white color that is pleasing to the eye. It creates the most impactful lighting ever available, by revealing the richest whites and vibrant colors that pop.*

***Class A LED: Class A LED's have a CRI > 80 and a GAI > 80. CRI defines color "Naturalness" and GAI defines color "Saturation." Both being high delivers rich colors and pure whites.*

Electrical

Wattage: 23

Electronic constant current LED driver, 120/277VAC input

This product complies with IEEE C62.41 for surge endurance up to 2.5KV. Amerlux® recommends using additional surge protection with this unit (supplied by others), surge and over voltage damage is not covered under warranty.

Note: Drivers are universal but thermal protector is voltage specific

Drivers

LE/TE - Leading Edge, TRIAC, forward phase/Trailing Edge, ELV, reverse phase

0-10V, Lutron DALI systems also available

See pages 7-8 for more dimming information

Finish

Powder coat paint

Consult factory for custom finishes

Mounting

Trimmed

For use in T-grid or sheetrock ceilings, max thickness 1"

Trimless

For use in sheetrock ceilings, max thickness 5/8"

Certifications

CSA listed to UL standards

Damp location

Chicago Plenum (CCEA) optional

Warranty

3 year limited warranty

Essenza[®] HP

2000 Lumen Square Downlight

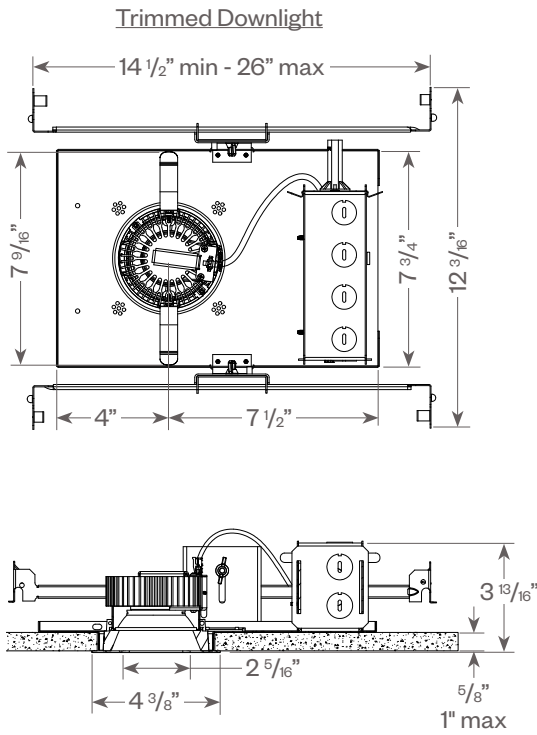


EZ-HP Square Downlight

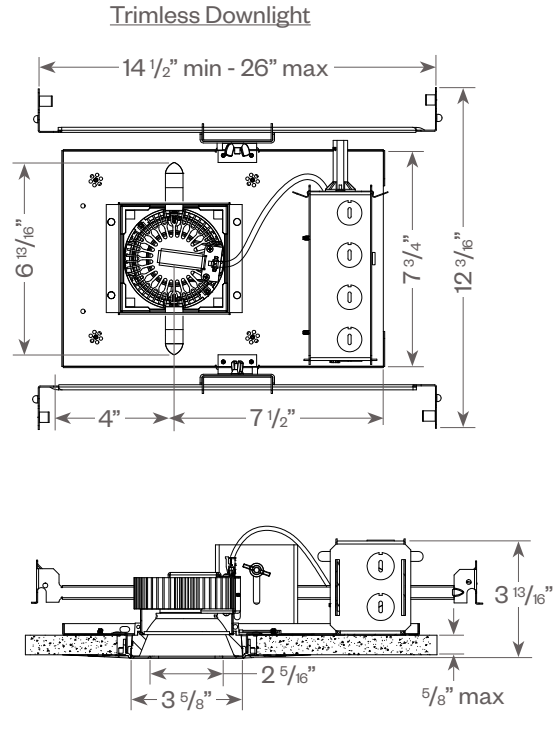
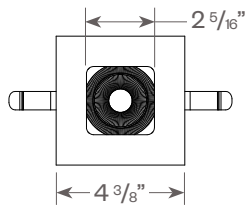
PROJECT:

TYPE:

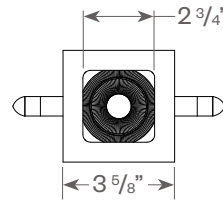
Essenza 2000 LM Square Downlight:



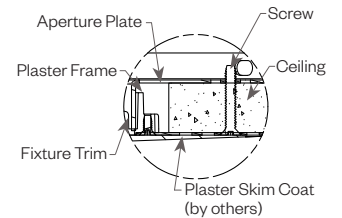
Ceiling cut out: 4"



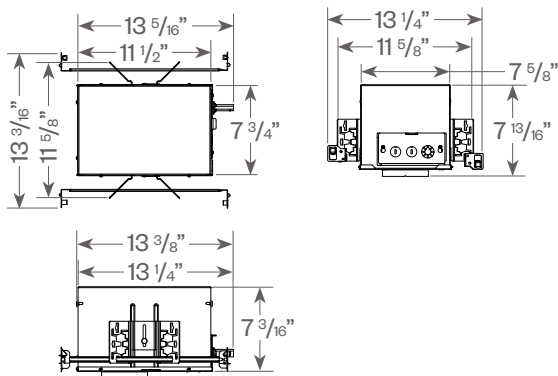
Ceiling cut out: 4 1/2"



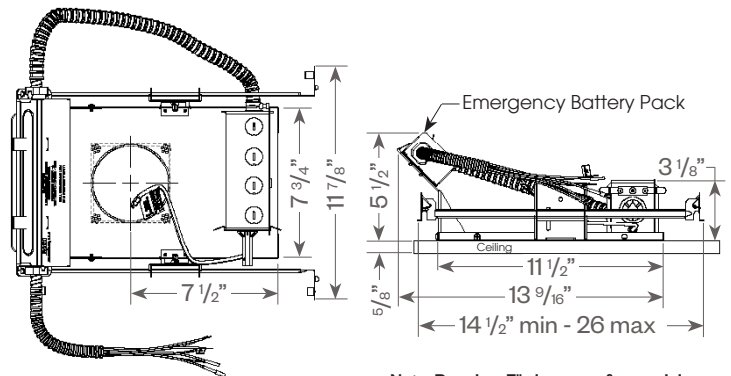
Plaster Frame Detail



Optional CP Housing



Frame with Emergency Battery Pack



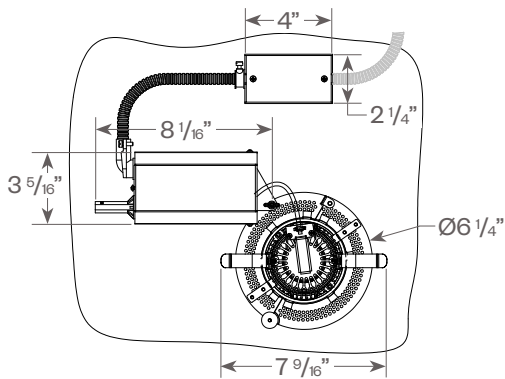
Note: Requires 7" clearance for servicing.

PROJECT:

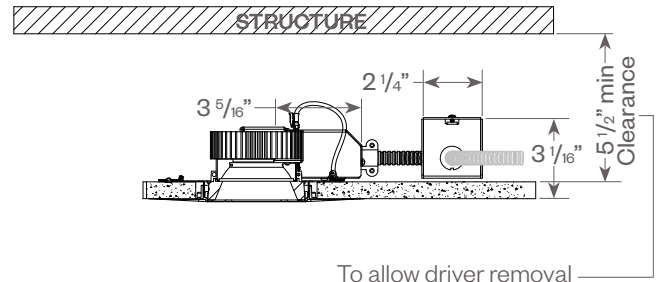
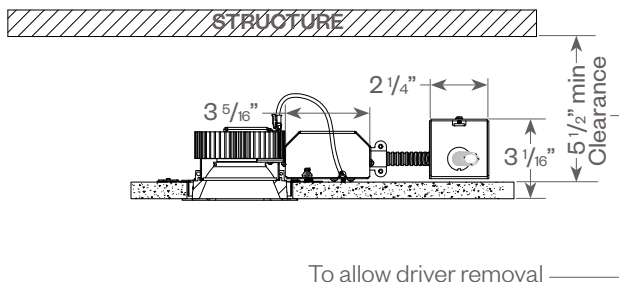
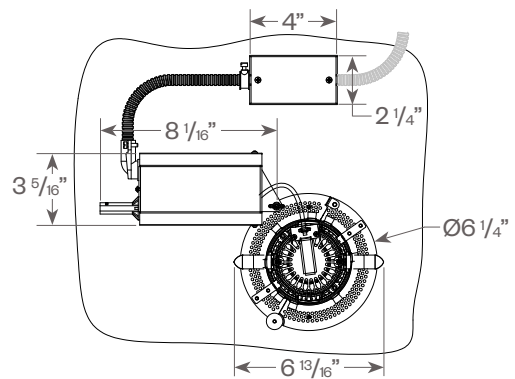
TYPE:

Essenza 2000 LM Round Downlight Remodeler:

Trimmed Downlight

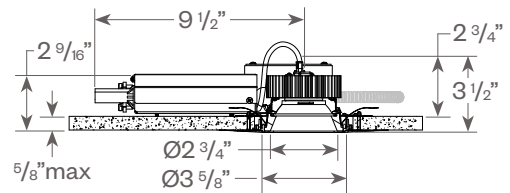
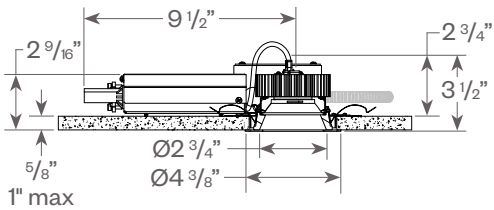


Trimless Downlight



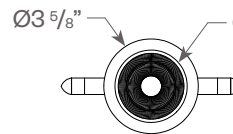
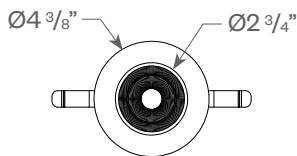
To allow driver removal through cut out.

To allow driver removal through cut out.

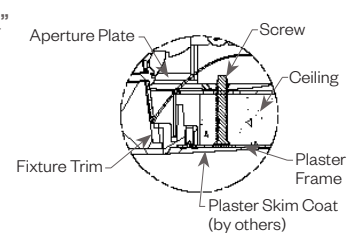


Ceiling cut out: 4" dia.

Ceiling cut out: 4 1/2" dia.



Plaster Frame Detail



Essenza® HP

2000 Lumen Square Downlight



PROJECT:

TYPE:

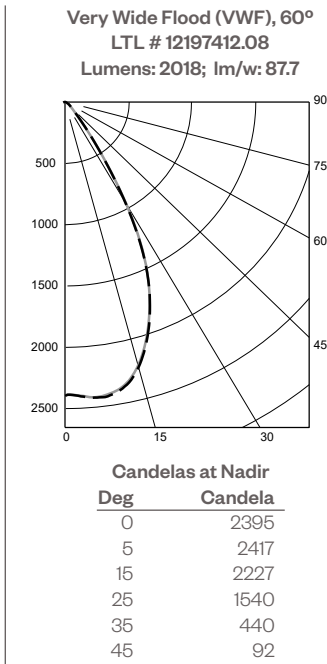
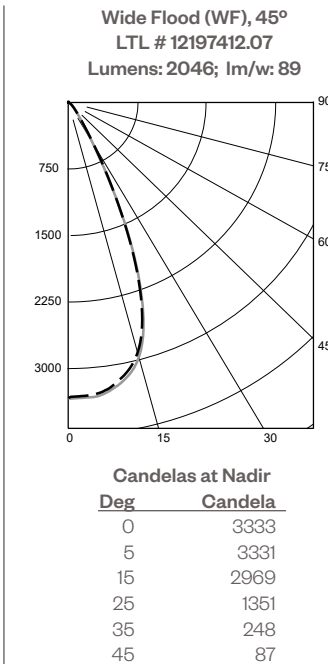
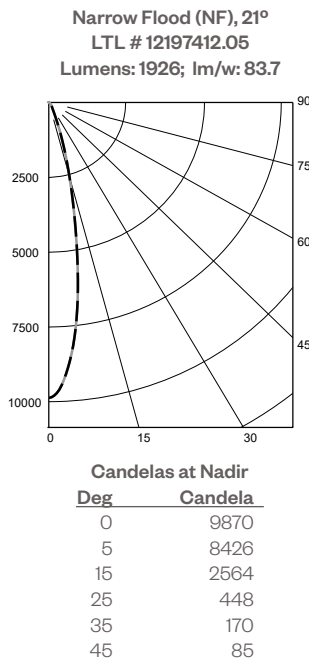
FIXTURE DATA: (Complete photometric data (.ies format) available upon request)

MULTIPLYING FACTORS: (Multiplying Factor is based on 3000K-83 120V IES file on website)

| CCT: | 2700K-83 | 3000K-83 | 3500K-83 | 4000K-83 |
|---------|----------|----------|----------|----------|
| Factor: | 0.96 | 1.0 | 1.02 | 1.04 |

| CCT: | 2200K-90+ | 2700K-90+ | 3000K-90+ | 3500K-90+ | 4000K-90+ | CRISP | 3CLA |
|---------|-----------|-----------|-----------|-----------|-----------|-------|------|
| Factor: | 0.71 | 0.80 | 0.83 | 0.87 | 0.90 | 0.65 | 0.75 |

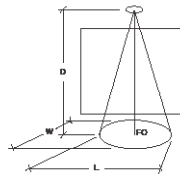
23W LED, 3000K-83



Application Data:

0° Aiming Angle Horizontal Footcandles

| | D | FC | L | W |
|-----------------|-------|-----|------|------|
| Narrow Flood | 5.0' | 396 | 1.7 | 1.7 |
| | 7.5' | 176 | 2.8 | 2.8 |
| | 10.0' | 99 | 3.6 | 3.6 |
| | 12.5' | 64 | 4.6 | 4.6 |
| Wide Flood | 5.0' | 134 | 3.9 | 3.8 |
| | 7.5' | 60 | 5.9 | 5.7 |
| | 10.0' | 34 | 7.9 | 7.8 |
| | 12.5' | 22 | 9.9 | 9.7 |
| Very Wide Flood | 5.0' | 109 | 4.3 | 4.3 |
| | 7.5' | 47 | 6.5 | 6.5 |
| | 10.0' | 26 | 8.9 | 8.9 |
| | 12.5' | 17 | 11.2 | 11.2 |



Notes and Definitions:

Beam spread is to 50% center beam candlepower (CBCP).

D=Distance to floor or wall.

FC=Footcandles on floor or wall at center beam aiming location.

L=Effective Visual Beam length in feet (50% of maximum footcandle level).

W=Effective Visual Beam width in feet (50% of maximum footcandle level).

CB=Distance across or down to center beam location.

PROJECT:

TYPE:

DIMMING COMPATIBILITY:

Amerlux[®] Essenza fixtures are compatible with all major dimming protocols prevalent in the United States. Please see below for general compatibilities and wiring diagrams. Amerlux recommends testing your unique dimming configuration as the exact full configuration (Dimmer, Fixture Quantity, Voltage, etc) may affect dimming performance.

--- NOTE: INFORMATION BELOW IS FOR WIRED DIMMERS ONLY. FOR WIRELESS DIMMERS, CONSULT FACTORY ---

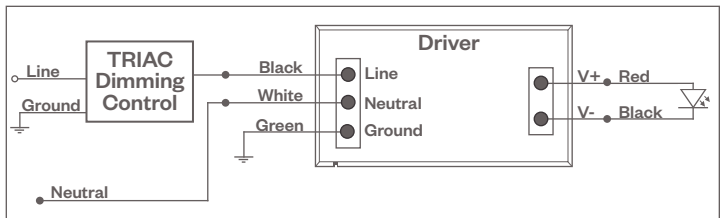
TRIAC (Forward Phase) DIMMING (Standard)

Utilizes standard TRIAC dimmers that are in wide use in installations across the US. Best for retrofit applications where TRIAC dimmers are installed.

Notes:

- 120VAC or 277VAC*
- Dims down to 5% light output (most cases)
- Consult Dimming manufacturer for installation instructions - DO NOT SHARE NEUTRALS!
- Must meet dimmer Minimum Load Requirements per dimming manufacturer

TRIAC Wiring Diagram



Compatible Dimmers†:

| Wall Box (TRIAC 120VAC) | Central System |
|-------------------------|----------------------|
| Lutron "Diva" | Lutron "GP" Panel |
| Lutron "Nova-T" | Lutron Grafik Eye QS |
| Lutron "Maestro" | |
| Lutron "Vareo" | |
| Lutron "Skylark" | |

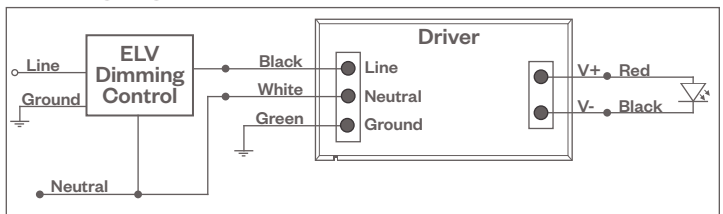
ELV - Electronic Low Voltage (Reverse Phase) DIMMING (Standard)

Utilizes specialized "ELV" dimmers.

Notes:

- 120VAC or 277VAC*
- Dims down to 5% light output (most cases)
- Consult Dimming manufacturer for installation instructions - DO NOT SHARE NEUTRALS!
- Must meet dimmer Minimum Load Requirements

ELV Wiring Diagram



Compatible Dimmers†:

| Wall Box (ELV 120VAC) | Wall Box (ELV 277VAC) | Central System |
|-----------------------|---------------------------|--|
| Lutron "Diva" | Leviton Revoir II AWSMT-E | Lutron "GP" Panel with PHPM-PA 120/277VAC |
| Lutron "Nova-T" | | Lutron Grafik Eye QS with PHPM-PA 120/277VAC |
| Lutron "Maestro" | | |
| Lutron "Vareo" | | |
| Lutron "Skylark" | | |
| Leviton "Surslide" | | |
| Leviton "Vizio" | | |

Notes:

- * Driver is 277VAC dimmable with appropriate dimmer (by others). All provided wiring diagrams show 120VAC wiring colors and method. Please refer to 277VAC dimmer manufacturer installation instructions for 277VAC wiring diagrams.
- † The absence of a dimmer from the lists above does not imply incompatibility. Please consult factory for compatibility inquiries.

PROJECT:

TYPE:

DIMMING COMPATIBILITY:

Amerlux® Essenza fixtures are compatible with all major dimming protocols prevalent in the United States. Please see below for general compatibilities and wiring diagrams. Amerlux recommends testing your unique dimming configuration as the exact full configuration (Dimmer, Fixture Quantity, Voltage, etc) may affect dimming performance.

--- NOTE: INFORMATION BELOW IS FOR WIRED DIMMERS ONLY. FOR WIRELESS DIMMERS, CONSULT FACTORY ---

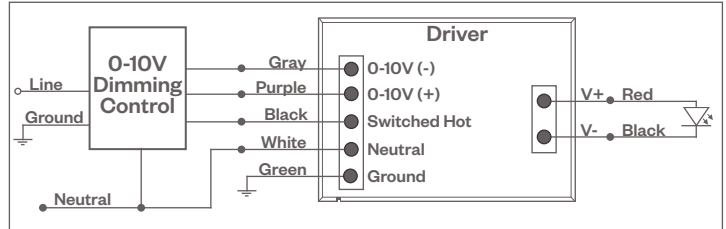
0-10V DIMMING

Integrates into a variety of building management and daylighting controls

Notes:

- 120VAC or 277VAC*
- Dims down to 1% light output
- Requires interface to turn off power to driver
- Consult Dimming manufacturer for installation instructions - DO NOT SHARE NEUTRALS!

0-10V Wiring Diagram



Compatible Dimmers*:

Wall Box

Lutron "Diva" - DTVV with PP-120H Interface

Leviton Renoir II 0-10V

Central System

Lutron Grafik Eye with GRX-TV1 Interface

LUTRON H-SERIES / ECOSYSTEM DIMMING

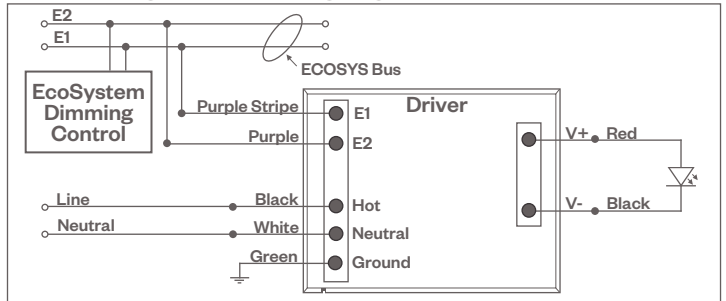
Integrates into Lutron EcoSystem building management

Notes:

- 120VAC or 277VAC*
- Dims down to 1% light output
- EcoSystem Control
- Consult Dimming manufacturer for installation instructions - DO NOT SHARE NEUTRALS!

HILUME-H-ECO, HILUME-5-ECO

EcoSystem Digital Control Wiring Diagram



Compatible Dimmers*:

Lutron ECO System

Pow Pak Dimming Modules
Energj Savr Node
Grafik Eye QS/Homeworks
QS Control Unit
Quantum Hub
Homeworks QS/My Room

Central System

Lutron EcoSystem compatible controls

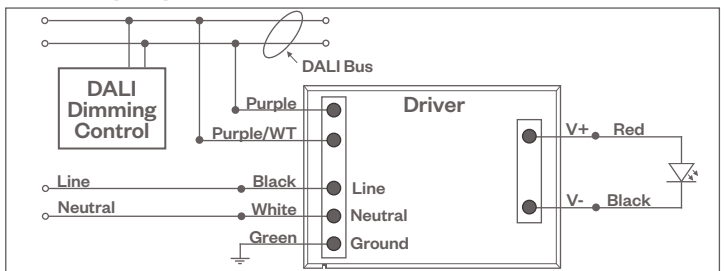
DALI DIMMING

Digital control protocol allows individual fixture control

Notes:

- 120VAC - 277VAC*
- Dims down to 1% light output in most cases

DALI Wiring Diagram



Compatible Dimmers*:

Wall Box (3-Wire Fluorescent)

Leviton CD250 Controller

Central System

Dynalite
Fifth Light

Notes:

- * Driver is 277VAC dimmable with appropriate dimmer (by others). All provided wiring diagrams show 120VAC wiring colors and method. Please refer to 277VAC dimmer manufacturer installation instructions for 277VAC wiring diagrams.
- † The absence of a dimmer from the lists above does not imply incompatibility. Please consult factory for compatibility inquiries.