

Essenza®

Round Downlights

Dim-To-Warm



Downlight



Adjustable

Features

Add ambiance to any hospitality, residential, retail or commercial space. Amerlux Essenza Downlight Dim-To-Warm option offers a lower kelvin temperature as you dim the lights. An adaptable light source in a cost-effective, solid state lighting package. The Dim-To-Warm option can tap into the powerful mediums of light and color to enhance the experience, well-being, and human emotion. Amerlux Dim-To-Warm allows designers to simulate the familiar glow and dimming of incandescent lamps.

Product Overview

- Type: Recessed Round Downlight, Accent, Wall Wash
- Wattage: 12W (IC/AT), 15W
- Lumen Output: 866 lm max (EZRD trim, 15W, Spot optic)
- Color Temp: 3000K to 1800K
- CRI: 95 typ.
- Dimming: TRIAC & ELV (120/277VAC) - 5% Dim
Lutron LDE1 Hi-lume® 1% Soft-On/Fade-to-Black (120/277VAC)
0-10V (120/277VAC) - 1% Dim
DALI dimming - 1% Dim

PROJECT:

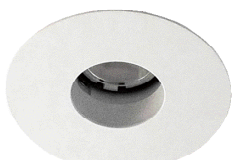
TYPE:



Lens Wall Wash



Shower



Pinhole Downlight

Fixture Type

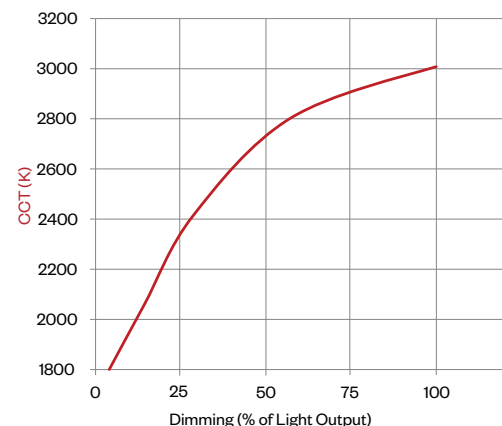
| New Construction | Remodeler | Trim | Trimless |
|------------------|-----------|------|----------|
| Yes | Yes | Yes | Yes |

Electrical Data

| | 12W (IC/AT) | | 15W* | |
|------|--------------|------|--------------|------|
| | System Watts | Amps | System Watts | Amps |
| 120V | 12 | 0.10 | 15 | 0.13 |
| 277V | 12 | 0.04 | 16 | 0.06 |

Electronic constant current LED driver
*Includes 2W thermal protector

Dim-To-Warm CCT Curve



PROJECT:

TYPE:

Housing/Frame Ordering Information

| 1 | 2 | 3 | 4 | 5 | 6 |
|--|---|--|---|---|--|
| <p>1 <u>Model</u> For New Construction EZ-NC-DTW-A17[†] (New Construction) EZ-CP-DTW-A17[†] (Chicago Plenum (CCEA) housing) EZ-IC-DTW-A17[†] (Insulated Ceiling/air tight housing, 12W only) For Existing Ceilings EZ-REM-DTW-A17[†]</p> | <p>2 <u>Style</u> T - trimmed RTL - round trimless</p> | <p>3 <u>Wattage</u> 12 (IC/AT) 15 (not available for use with IC housing)</p> | <p>4 <u>Voltage</u> 120 277 120/277 (for use with IC housing only)</p> | <p>5 <u>Driver</u> LE/TE - TRIAC/ELV dimming HILUME-H-ECO - Lutron LDE1 Hi-lume® 1% Soft-On/ Fade-to-Black 0-10V - 0-10V dimming, 1% dim DALI - DALI dimming, 1% dim</p> | <p>6 <u>Options/Accessories</u> EM - integral emergency battery pack with remote test switch, requires 7" ceiling clearance (not available for use with REM, CP or IC option) HB49 - hanger bars from min 29" to max 49" (not available for use with REM options)</p> |

Trim Ordering Information

| 1 | 2 | 3 | 4 | 5 |
|--|---|--|--|---|
| <p>1 <u>Model</u> EZRD-DTW-A17[†] (downlight) EZRA-DTW-A17[†] (adjustable) EZRLW-DTW-A17[†] (wall wash) EZRSHW-DTW-A17[†] (shower, not available for use in trimless) EZRPD-DTW-A17[†] (pinhole downlight)</p> | <p>2 <u>Style</u> T - trimmed TL - trimless (not available for Shower (EZRSHW) trim)</p> | <p>3 <u>Finish</u> <u>RD/RA/RLW/RSHW Trims:</u> <u>Trimmed</u> MWW - matte white, white flange <u>Trimless</u> MW - matte white <u>RPD Trim (Trimmed & Trimless):</u> MW - matte white</p> | <p>4 <u>Beam Spreads</u> (not for use with EZRLW trim) VNF - very narrow flood, 18° FL - flood, 35° WF* - wide flood, 45° VWF* - very wide flood, 50° * Not available for use with EZRPD trim</p> | <p>5 <u>Color Temp</u> 95 CRI 309 - 3000K-95</p> |

† The "A" refers to the sequential revision in a year and "XX" refers to the year of update. Updates coincide with improved performance while not changing the overall fixture aesthetic and are reflected in the published performance data. Please contact your Amerlux representative for explanations of changes.

PROJECT:

TYPE:

Specifications

Application

Hospitality, retail and commercial ambient, accent and wall wash lighting

Construction

20 ga. galvanized steel frame
18 ga. galvanized steel splice housing and hanger brackets (not for use with Remodeler version)
Cast aluminum plaster frame with perforated face (for trimless version only)
Die-cast optical housing, trim and heatsink

Optical

Beam spreads (for RD, RA, RSHW & RPD fixtures):

Very Narrow Flood, 18°; Flood, 35°; Wide Flood, 45°;
Very Wide Flood, 50°

Tilt (for RA fixture): 0-30° tilt lock, 355° rotation

Lens:

RLW fixture: Engineered nano technology lens provides high transmission while concealing LED image

Shower fixture: Siliconed solite lens

LED

Color Temp Options:

3000K dims to 1800K (12W fixtures start at 2900K)

CRI: 95 typ. (± 3 across dimming range)

R9 Values: 85 (95 CRI)

Binning: 3 MacAdam (SDCM)

Life: 50,000+ hrs, > 70% of initial lumens at 50,000 hrs

Electrical

Wattage: 12 (IC/AT), 15

Electronic constant current LED driver, 120/277VAC input

This product complies with IEEE C62.41 for surge endurance up to 2.5KV. Amerlux® recommends using additional surge protection with this unit (supplied by others), surge and over voltage damage is not covered under warranty.

Note: Drivers are universal input voltage but thermal protector is voltage specific

Drivers

LE/TE - Leading Edge, TRIAC, forward phase/Trailing Edge, ELV, reverse phase

0-10V, Lutron and DALI systems also available

See pages 12-13 for more dimming information

Finish

Powder coat paint

Consult factory for custom finishes

Mounting

26" Hanger bars included (except for Remodeler versions)

Optional **HB49** - hanger bars from min 29" to max 49" available

Trimmed

For use in T-grid or sheetrock ceilings, max thickness 1"

Trimless

For use in sheetrock ceilings, max thickness 5/8"

Certifications

CSA listed to UL standards

Damp location

IC/AT (insulated ceiling/air tight) rated, 12W only, optional

Chicago Plenum (CCEA) optional

JA10 compliant for Title 24 per UL Test 13005791.01A

(available upon request)

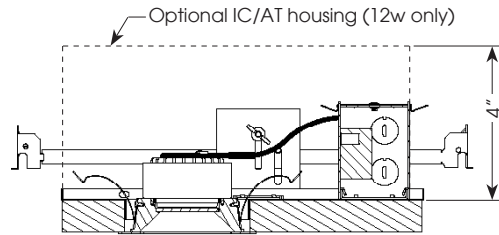
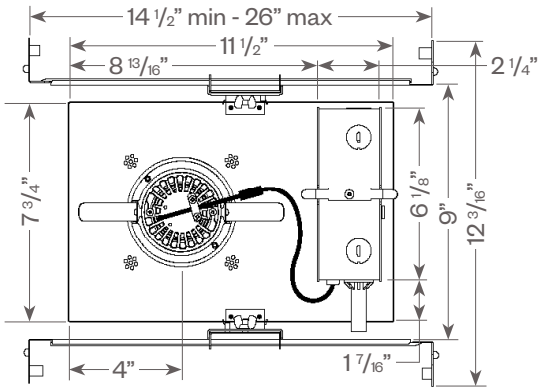
Warranty

3 year limited warranty

PROJECT:

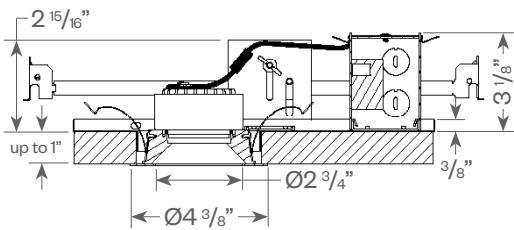
TYPE:

Essenza Round Downlight:

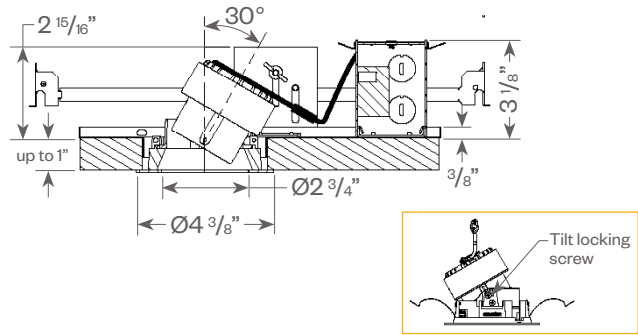


Ceiling cut out: 4" dia.

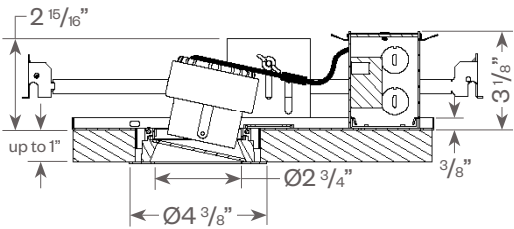
Downlight



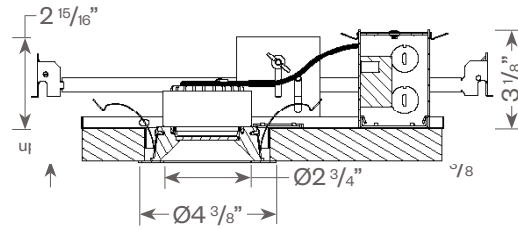
Adjustable



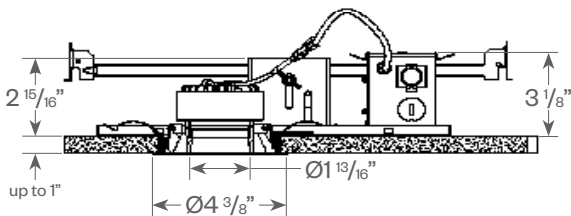
Lens Wall Wash



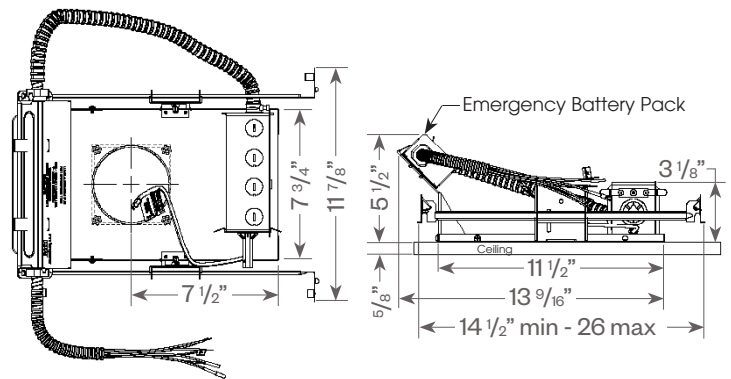
Shower



Pinhole Downlight



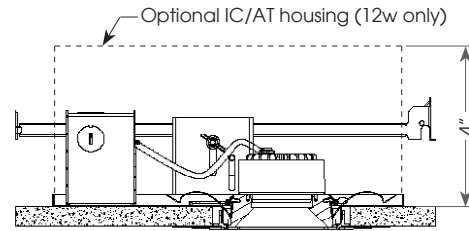
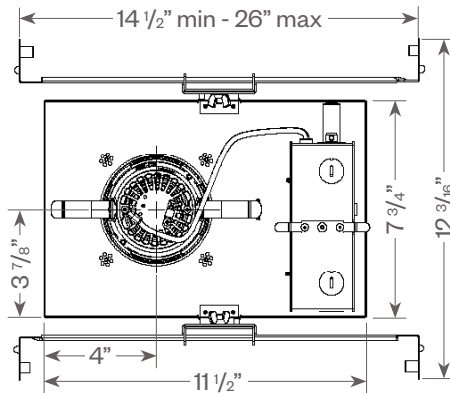
Frame with Emergency Battery Pack



PROJECT:

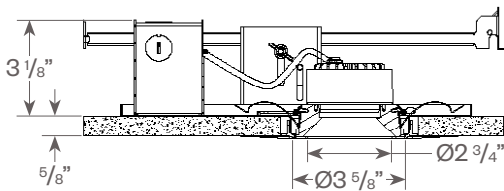
TYPE:

Essenza Round Downlight Trimless:

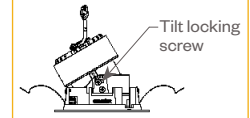
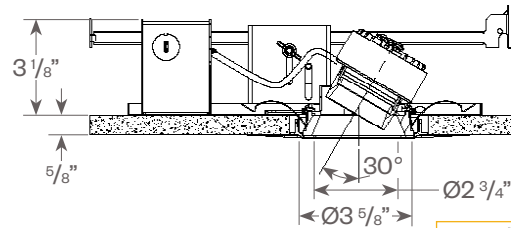


Trimless Ceiling cut out: 4 1/2" dia.

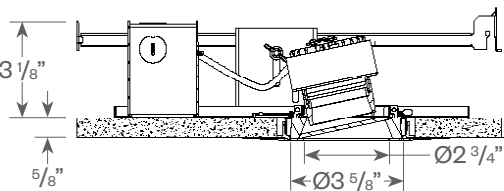
Downlight



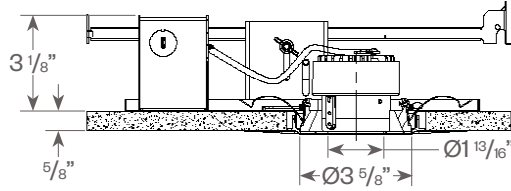
Adjustable



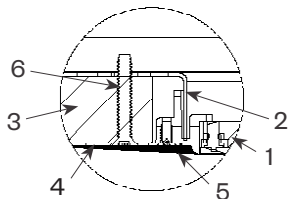
Lens Wall Wash



Pinhole Downlight

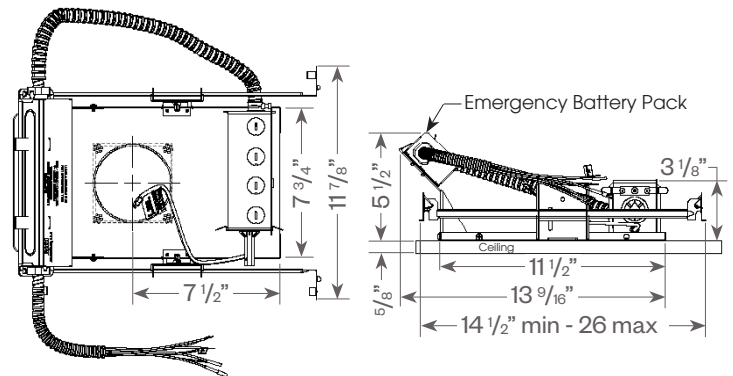


Plaster Frame Installation Detail
(for trimless fixture only)



1. Reflector Trim
2. Aperture plate
3. Ceiling 5/8"
4. Cast Aluminum Plaster Frame
5. Plaster Skim Coat (by others)
6. 6-32 Type F Thread Cutting Screw

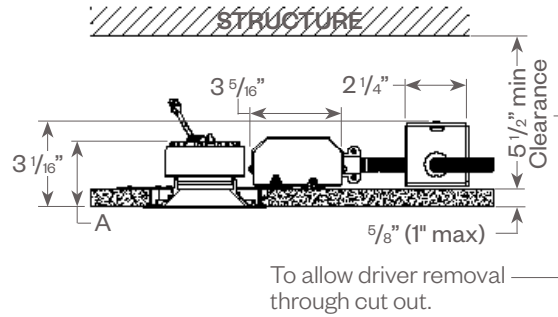
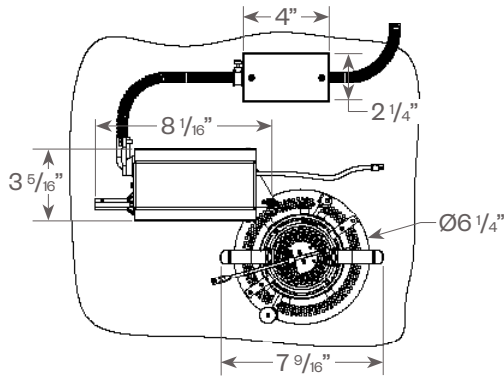
Frame with Emergency Battery Pack



PROJECT:

TYPE:

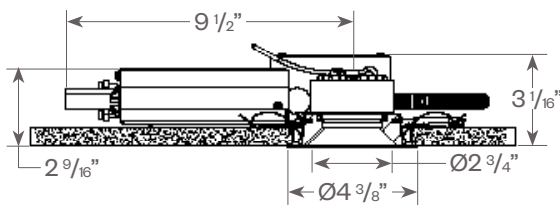
Essenza Round Remodeler:



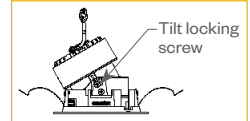
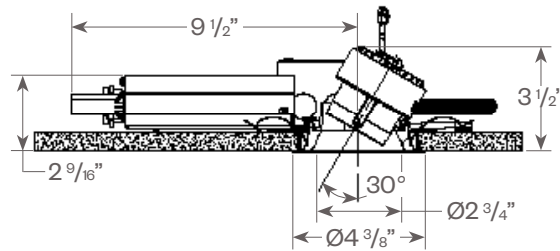
| Product | A |
|-------------|---------|
| EZ-RD-REM | 2 3/8" |
| EZ-RA-REM | 3 3/16" |
| EZ-RLW-REM | 3 5/16" |
| EZ-RSHW-REM | 2 3/8" |
| EZ-RPD-REM | 2 1/2" |

Ceiling cut out: 4" dia.

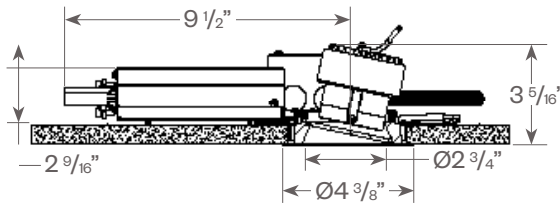
Downlight



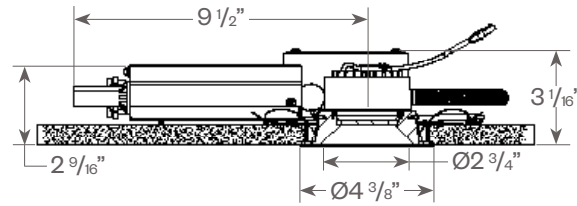
Adjustable



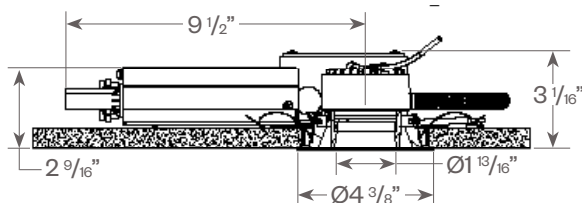
Lens Wall Wash



Shower



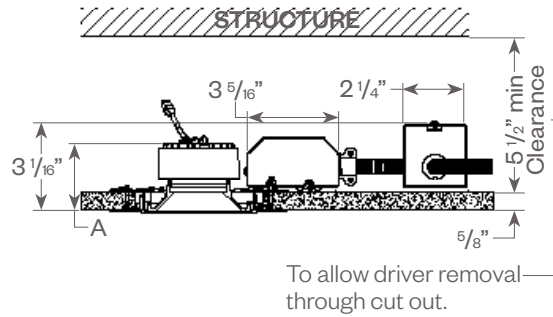
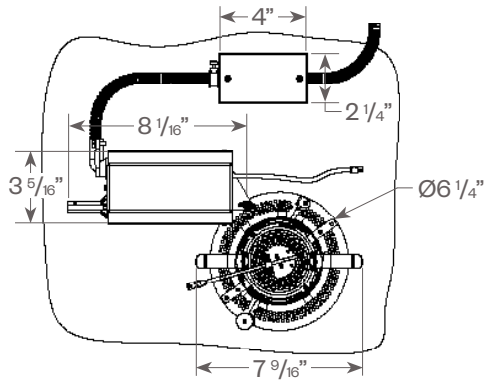
Pinhole Downlight



PROJECT:

TYPE:

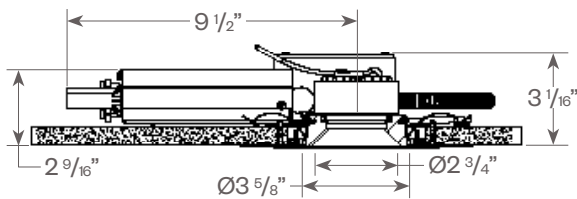
Essenza Round Remodeler Trimless:



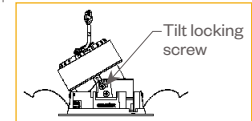
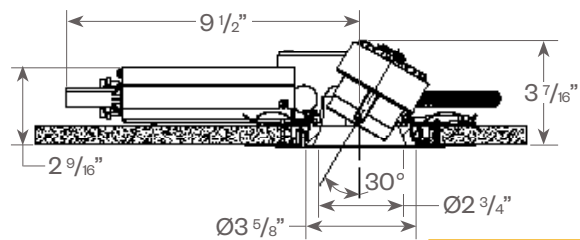
| Product | A |
|---------------|---------|
| EZ-RD-REM-TL | 2 5/16" |
| EZ-RA-REM-TL | 3 1/8" |
| EZ-RLW-REM-TL | 3 1/4" |
| EZ-RPD-REM-TL | 2 7/16" |

Trimless Ceiling cut out: 4 1/2" dia.

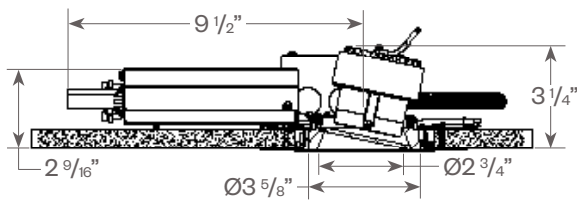
Downlight



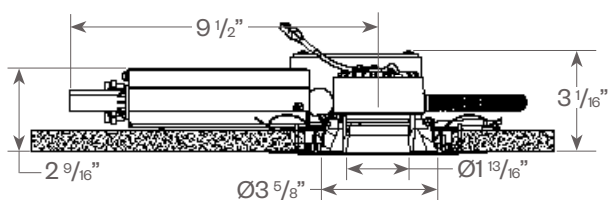
Adjustable



Lens Wall Wash

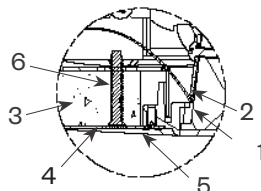


Pinhole Downlight



Plaster Frame Installation Detail (for trimless fixture only)

1. Reflector Trim
2. Aperture plate
3. Ceiling 5/8"
4. Cast Aluminum Plaster Frame
5. Plaster Skim Coat (by others)
6. 6-32 Type F Thread Cutting Screw



PROJECT:

TYPE:

Essenza Round Downlight:

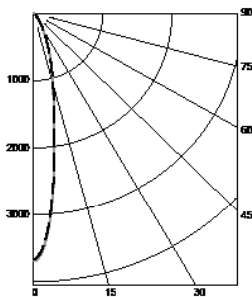
FIXTURE DATA: (Complete photometric data (.ies format) available upon request)

MULTIPLYING FACTORS: (Multiplying Factor is based on 3000K-95 120V IES file on website)

| Wattage: | 12W | 15W |
|----------|-----|-----|
| Factor: | 0.8 | 1.0 |

15W LED, 3000K-95

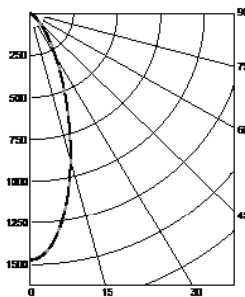
Very Narrow Flood (VNF)
Distribution, 18°
LTL # 11919582.01
Lumens: 866



Candelas at Nadir

| Deg | Candela |
|-----|---------|
| 0 | 3674 |
| 5 | 2877 |
| 15 | 1011 |
| 25 | 392 |
| 35 | 143 |
| 45 | 40 |

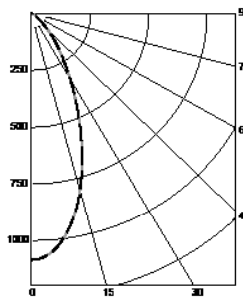
Flood (FL)
Distribution, 35°
LTL# 11919582.02
Lumens: 796



Candelas at Nadir

| Deg | Candela |
|-----|---------|
| 0 | 1474 |
| 5 | 1392 |
| 15 | 900 |
| 25 | 434 |
| 35 | 192 |
| 45 | 72 |

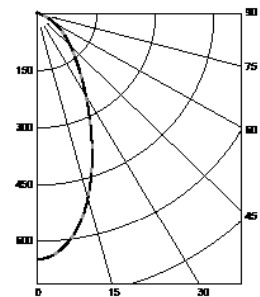
Wide Flood (WF)
Distribution, 45°
LTL # 11919582.03
Lumens: 790



Candelas at Nadir

| Deg | Candela |
|-----|---------|
| 0 | 1086 |
| 5 | 1051 |
| 15 | 799 |
| 25 | 459 |
| 35 | 223 |
| 45 | 92 |

Very Wide Flood (VWF)
Distribution, 50°
LTL # 11919582.04
Lumens: 663




Candelas at Nadir

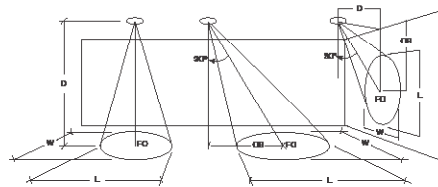
| Deg | Candela |
|-----|---------|
| 0 | 648 |
| 5 | 629 |
| 15 | 497 |
| 25 | 317 |
| 35 | 189 |
| 45 | 118 |

Application Data:

0° Aiming Angle Horizontal Footcandles



| | D | FC | L | W |
|-------------------|-------|-----|-----|-----|
| Very Narrow Flood | 5.0' | 141 | 1.6 | 1.6 |
| | 7.5' | 64 | 2.5 | 2.5 |
| | 10.0' | 36 | 3.3 | 3.3 |
| | 12.5' | 23 | 3.9 | 3.9 |
| Flood | 5.0' | 57 | 3.1 | 3.1 |
| | 7.5' | 26 | 4.5 | 4.5 |
| | 10.0' | 15 | 5.9 | 5.9 |
| | 12.5' | 9 | 7.5 | 7.5 |
| Wide Flood | 5.0' | 42 | 3.6 | 3.6 |
| | 7.5' | 19 | 5.4 | 5.4 |
| | 10.0' | 11 | 7.2 | 7.2 |
| | 12.5' | 7 | 9.0 | 9.0 |
| Very Wide Flood | 5.0' | 25 | 3.8 | 3.8 |
| | 7.5' | 11 | 5.7 | 5.7 |
| | 10.0' | 7 | 7.7 | 7.7 |
| | 12.5' | 4 | 9.7 | 9.7 |



Notes and Definitions:

- Beam spread is to 50% center beam candlepower (OBCP).
- D=Distance to floor or wall.
- FC=Footcandles on floor or wall at center beam aiming location.
- L=Effective Visual Beam length in feet (50% of maximum footcandle level).
- W=Effective Visual Beam width in feet (50% of maximum footcandle level).
- CB=Distance across or down to center beam location.

PROJECT:

TYPE:

Essenza Round Adjustable:

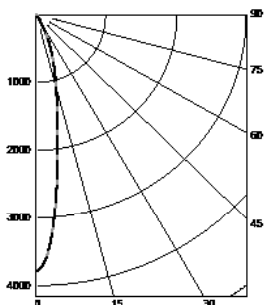
FIXTURE DATA: (Complete photometric data (.ies format) available upon request)

MULTIPLYING FACTORS: (Multiplying Factor is based on 3000K-95 120V IES file on website)

| Wattage: | 12W | 15W |
|----------|-----|-----|
| Factor: | 0.8 | 1.0 |

15W LED, 3000K-95

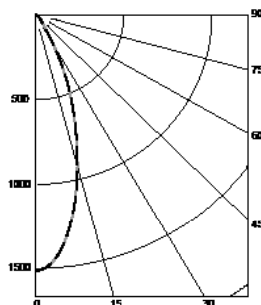
Very Narrow Flood (VNF)
Distribution, 18°
LTL # 11919582.05
Lumens: 780



Candelas at Nadir

| Deg | Candela |
|-----|---------|
| 0 | 3781 |
| 5 | 2933 |
| 15 | 1042 |
| 25 | 335 |
| 35 | 61 |
| 45 | 33 |

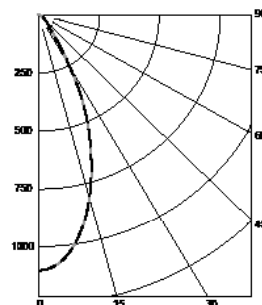
Flood (FL)
Distribution, 35°
LTL# 11919582.06
Lumens: 699



Candelas at Nadir

| Deg | Candela |
|-----|---------|
| 0 | 1515 |
| 5 | 1430 |
| 15 | 919 |
| 25 | 405 |
| 35 | 91 |
| 45 | 41 |

Wide Flood (WF)
Distribution, 45°
LTL # 11919582.07
Lumens: 679

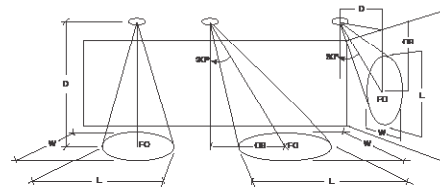


Candelas at Nadir

| Deg | Candela |
|-----|---------|
| 0 | 1103 |
| 5 | 1067 |
| 15 | 809 |
| 25 | 445 |
| 35 | 117 |
| 45 | 46 |

Application Data:

| | 0° Aiming Angle Horizontal Footcandles | | | |
|-------------------|--|-----|-----|-----|
| | D | FC | L | W |
| Very Narrow Flood | 5.0' | 145 | 1.6 | 1.6 |
| | 7.5' | 66 | 2.5 | 2.5 |
| | 10.0' | 37 | 3.3 | 3.3 |
| | 12.5' | 24 | 3.9 | 3.9 |
| Flood | 5.0' | 58 | 3.1 | 3.1 |
| | 7.5' | 26 | 4.5 | 4.5 |
| | 10.0' | 15 | 5.9 | 5.9 |
| | 12.5' | 10 | 7.4 | 7.4 |
| Wide Flood | 5.0' | 43 | 3.6 | 3.6 |
| | 7.5' | 19 | 5.4 | 5.4 |
| | 10.0' | 11 | 7.1 | 7.1 |
| | 12.5' | 7 | 8.9 | 8.9 |



Notes and Definitions:

Beam spread is to 50% center beam candlepower (CBCP).

D=Distance to floor or wall.

FC=Footcandles on floor or wall at center beam aiming location.

L=Effective Visual Beam length in feet (50% of maximum footcandle level).

W=Effective Visual Beam width in feet (50% of maximum footcandle level).

CB=Distance across or down to center beam location.

PROJECT:

TYPE:

Essenza Round Lens Wall Wash:

FIXTURE DATA: (Complete photometric data (.ies format) available upon request)

MULTIPLYING FACTORS: (Multiplying Factor is based on 3000K-95 120V IES file on website)

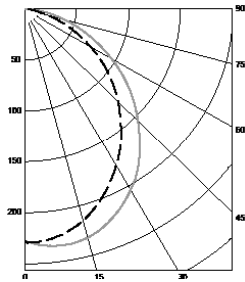
| Wattage: | 12W | 15W |
|----------|-----|-----|
| Factor: | 0.8 | 1.0 |

15W LED, 3000K-95

Lens Wall Wash (RLW) Distribution

LTL #11919582.11

Lumens: 533



ZONAL LUMEN SUMMARY

| Zone | Lumens | %Fixt |
|--------|--------|-------|
| 0-40 | 270 | 50.7 |
| 0-60 | 449 | 84.1 |
| 0-90 | 533 | 100.0 |
| 90-180 | 0 | 0.0 |


Luminaire Efficacy: 38.3 lumens/watt

Application Data:

Footcandles are average and rounded off.
Data for multiple units are based on a minimum of five units.


Footcandles on Wall

1.5 Feet From Wall




| Distance from ceiling | 0.5' | 1.5' | 2.5' | 3.5' | 4.5' | 5.5' | 6.5' | 7.5' |
|-----------------------|------|------|------|------|------|------|------|------|
| 0.5' | 29 | 30 | 32 | 30 | 29 | | | |
| 1.5' | 45 | 47 | 49 | 47 | 45 | | | |
| 2.5' | 28 | 31 | 32 | 31 | 29 | | | |
| 3.5' | 17 | 19 | 19 | 19 | 17 | | | |
| 4.5' | 11 | 12 | 12 | 12 | 11 | | | |
| 5.5' | 7 | 8 | 8 | 8 | 8 | | | |
| 6.5' | 5 | 6 | 6 | 6 | 6 | | | |
| 7.5' | 4 | 5 | 5 | 5 | 4 | | | |

1.5 Feet From Wall



| Distance from ceiling | 0.5' | 1.5' | 2.5' | 3.5' | 4.5' | 5.5' | 6.5' | 7.5' |
|-----------------------|------|------|------|------|------|------|------|------|
| 0.5' | 20 | 27 | 21 | 27 | 21 | 20 | | |
| 1.5' | 34 | 38 | 36 | 38 | 36 | 34 | | |
| 2.5' | 23 | 24 | 25 | 25 | 24 | 23 | | |
| 3.5' | 14 | 15 | 16 | 16 | 15 | 14 | | |
| 4.5' | 9 | 10 | 10 | 10 | 10 | 9 | | |
| 5.5' | 6 | 7 | 7 | 7 | 7 | 6 | | |
| 6.5' | 5 | 5 | 5 | 5 | 5 | 5 | | |
| 7.5' | 4 | 4 | 4 | 4 | 4 | 4 | | |

2 Feet From Wall



| Distance from ceiling | 0.5' | 1.5' | 2.5' | 3.5' | 4.5' | 5.5' | 6.5' | 7.5' |
|-----------------------|------|------|------|------|------|------|------|------|
| 0.5' | 12 | 13 | 13 | 13 | 13 | 12 | | |
| 1.5' | 24 | 26 | 26 | 26 | 26 | 24 | | |
| 2.5' | 22 | 23 | 24 | 24 | 24 | 23 | 22 | |
| 3.5' | 15 | 17 | 17 | 18 | 17 | 15 | | |
| 4.5' | 11 | 12 | 12 | 12 | 12 | 11 | | |
| 5.5' | 8 | 8 | 9 | 9 | 9 | 8 | 8 | |
| 6.5' | 6 | 6 | 6 | 7 | 6 | 6 | 6 | |
| 7.5' | 5 | 5 | 5 | 5 | 5 | 5 | 5 | |

PROJECT:

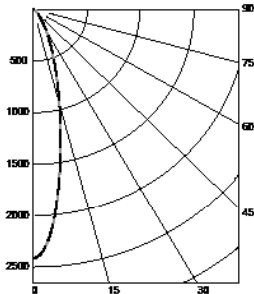
TYPE:

Essenza Round Shower:

FIXTURE DATA: (Complete photometric data (.ies format) available upon request)

15W LED, 3000K-95

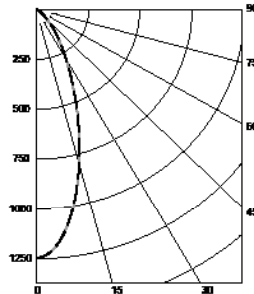
Very Narrow Flood (VNF)
Distribution, 18°
LTL # 11919582.08
Lumens: 813



Candelas at Nadir

| Deg | Candela |
|-----|---------|
| 0 | 2413 |
| 5 | 2103 |
| 15 | 961 |
| 25 | 389 |
| 35 | 155 |
| 45 | 56 |

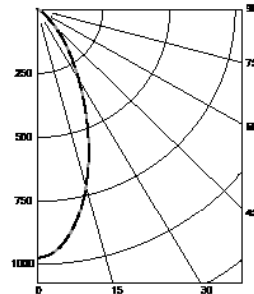
Flood (FL)
Distribution, 35°
LTL# 11919582.09
Lumens: 748



Candelas at Nadir

| Deg | Candela |
|-----|---------|
| 0 | 1246 |
| 5 | 1181 |
| 15 | 796 |
| 25 | 412 |
| 35 | 194 |
| 45 | 79 |

Wide Flood (WF)
Distribution, 45°
LTL # 11919582.10
Lumens: 742

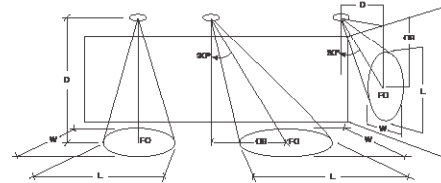


Candelas at Nadir

| Deg | Candela |
|-----|---------|
| 0 | 974 |
| 5 | 940 |
| 15 | 713 |
| 25 | 427 |
| 35 | 219 |
| 45 | 94 |

Application Data:

| | | 0° Aiming Angle Horizontal Footcandles | | | |
|-------------------|-------|--|-----|-----|---|
| | | D | FC | L | W |
| Very Narrow Flood | 5.0' | 93 | 2.2 | 2.2 | |
| | 7.5' | 42 | 3.3 | 3.3 | |
| | 10.0' | 24 | 4.2 | 4.2 | |
| | 12.5' | 15 | 5.3 | 5.3 | |
| Flood | 5.0' | 48 | 3.2 | 3.2 | |
| | 7.5' | 22 | 4.7 | 4.7 | |
| | 10.0' | 12 | 6.2 | 6.2 | |
| | 12.5' | 8 | 7.8 | 7.8 | |
| Wide Flood | 5.0' | 38 | 3.6 | 3.6 | |
| | 7.5' | 17 | 5.4 | 5.4 | |
| | 10.0' | 10 | 7.2 | 7.2 | |
| | 12.5' | 6 | 9.1 | 9.1 | |



Notes and Definitions:

Beam spread is to 50% center beam candlepower (CBCP).

D=Distance to floor or wall.

FC=Footcandles on floor or wall at center beam aiming location.

L=Effective Visual Beam length in feet (50% of maximum footcandle level).

W=Effective Visual Beam width in feet (50% of maximum footcandle level).

CB=Distance across or down to center beam location.

PROJECT:

TYPE:

DIMMING COMPATIBILITY:

Amerlux® Essenza fixtures are compatible with all major dimming protocols prevalent in the United States. Please see below for general compatibilities and wiring diagrams. Amerlux recommends testing your unique dimming configuration as the exact full configuration (Dimmer, Fixture Quantity, Voltage, etc) may affect dimming performance.

--- NOTE: INFORMATION BELOW IS FOR WIRED DIMMERS ONLY. FOR WIRELESS DIMMERS, CONSULT FACTORY ---

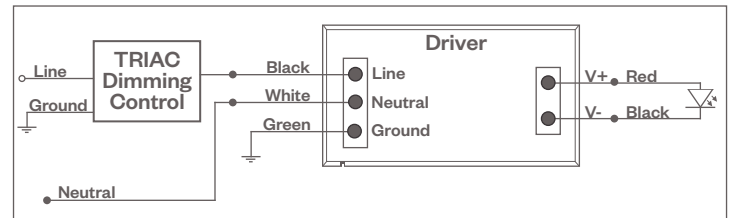
TRIAC (Forward Phase) DIMMING (Standard)

Utilizes standard TRIAC dimmers that are in wide use in installations across the US. Best for retrofit applications where TRIAC dimmers are installed.

Notes:

- 120VAC or 277VAC*
- Dims down to 5% light output (most cases)
- Consult Dimming manufacturer for installation instructions - DO NOT SHARE NEUTRALS!
- Must meet dimmer Minimum Load Requirements per dimming manufacturer

TRIAC Wiring Diagram



Compatible Dimmers*:

| Wall Box (TRIAC 120VAC) | Central System |
|-------------------------|----------------------|
| Lutron "Diva" | Lutron "GP" Panel |
| Lutron "Nova-T" | Lutron Grafik Eye QS |
| Lutron "Maestro" | |
| Lutron "Skylark" | |

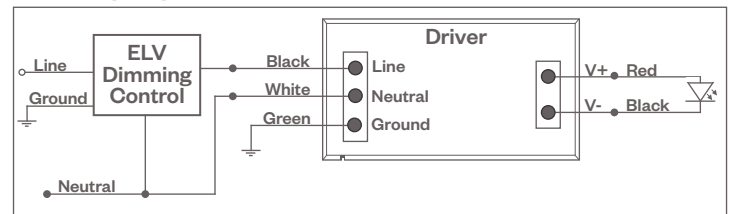
ELV - Electronic Low Voltage (Reverse Phase) DIMMING (Standard)

Utilizes specialized "ELV" dimmers.

Notes:

- 120VAC or 277VAC*
- Dims down to 5% light output (most cases)
- Consult Dimming manufacturer for installation instructions - DO NOT SHARE NEUTRALS!
- Must meet dimmer Minimum Load Requirements

ELV Wiring Diagram



Compatible Dimmers*:

| Wall Box (ELV 120VAC) | Wall Box (ELV 277VAC) | Central System |
|-----------------------|---------------------------|--|
| Lutron "Diva" | Leviton Revoir II AWSMT-E | Lutron "GP" Panel with PHPM-PA 120/277VAC |
| Lutron "Nova-T" | | Lutron Grafik Eye QS with PHPM-PA 120/277VAC |
| Lutron "Maestro" | | |
| Lutron "Skylark" | | |
| Leviton "Surslide" | | |
| Leviton "Vizio" | | |

Notes:

- * Driver is 277VAC dimmable with appropriate dimmer (by others). All provided wiring diagrams show 120VAC wiring colors and method. Please refer to 277VAC dimmer manufacturer installation instructions for 277VAC wiring diagrams.
- † The absence of a dimmer from the lists above does not imply incompatibility. Please consult factory for compatibility inquiries.

PROJECT:

TYPE:

DIMMING COMPATIBILITY:

Amerlux® Essenza fixtures are compatible with all major dimming protocols prevalent in the United States. Please see below for general compatibilities and wiring diagrams. Amerlux recommends testing your unique dimming configuration as the exact full configuration (Dimmer, Fixture Quantity, Voltage, etc) may affect dimming performance.

--- NOTE: INFORMATION BELOW IS FOR WIRED DIMMERS ONLY. FOR WIRELESS DIMMERS, CONSULT FACTORY ---

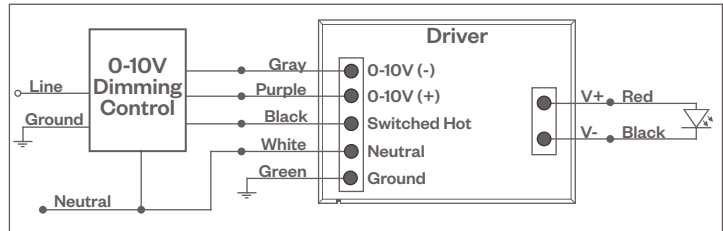
0-10V DIMMING

Integrates into a variety of building management and daylighting controls

Notes:

- 120VAC or 277VAC*
- Dims down to 1% light output
- Requires interface to turn off power to driver
- Consult Dimming manufacturer for installation instructions - DO NOT SHARE NEUTRALS!

0-10V Wiring Diagram



Compatible Dimmers*:

Wall Box

Lutron "Diva" - DVSTV | Leviton Renoir II 0-10V

Central System

Lutron Grafik Eye with GRX-TV1 Interface

LUTRON LDE1 DIMMING

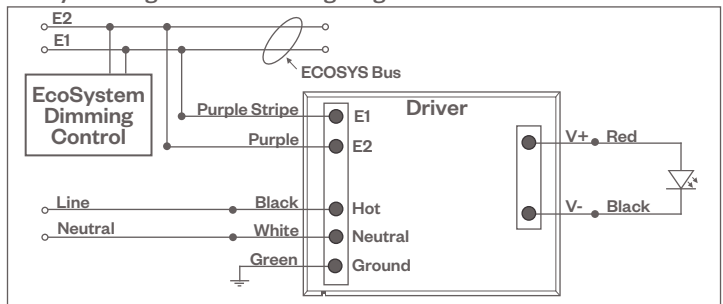
Integrates into Lutron EcoSystem building management

Notes:

- 120VAC or 277VAC*
- Dims down to 1% Soft-On/Fade-to-Black
- EcoSystem Control
- Consult Dimming manufacturer for installation instructions - DO NOT SHARE NEUTRALS!

Lutron LDE1 (HILUME-H-ECO)

EcoSystem Digital Control Wiring Diagram



Compatible Dimmers*:

Lutron ECO System

Pow Pak Dimming Modules
Energj Savr Node
Grafik Eye QS/Homeworks
QS Control Unit
Quantum Hub
Homeworks QS/My Room

Central System

Lutron EcoSystem compatible controls

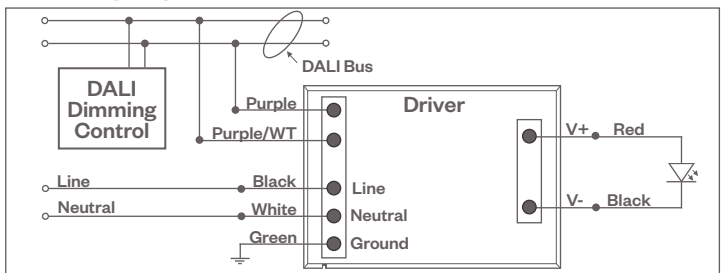
DALI DIMMING

Digital control protocol allows individual fixture control

Notes:

- 120VAC - 277VAC*
- Dims down to 1% light output in most cases

DALI Wiring Diagram



Compatible Dimmers*:

Wall Box (3-Wire Fluorescent)

Leviton CD250 Controller

Central System

Dynalite
Fifth Light

Notes:

- * Driver is 277VAC dimmable with appropriate dimmer (by others). All provided wiring diagrams show 120VAC wiring colors and method. Please refer to 277VAC dimmer manufacturer installation instructions for 277VAC wiring diagrams.
- † The absence of a dimmer from the lists above does not imply incompatibility. Please consult factory for compatibility inquiries.