

PROJECT:

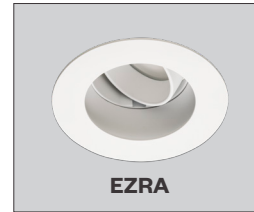
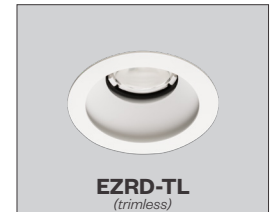
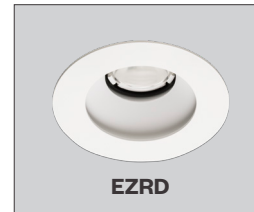
TYPE:

Features

Add ambiance to any hospitality, residential, retail or commercial space. Amerlux Essenza Downlight Dim-To-Warm option offers a lower kelvin temperature as you dim the lights. An adaptable light source in a cost-effective, solid state lighting package. The Dim-To-Warm option can tap into the powerful mediums of light and color to enhance the experience, well-being, and human emotion. Amerlux Dim-To-Warm allows designers to simulate the familiar glow and dimming of incandescent lamps.

Product Overview

Type: Recessed Round Downlight, Accent, Wall Wash
 Wattage: 12W (IC), 15W
 Color Temp: 3000K to 1800K
 CRI: 95 typ.
 Dimming: TRIAC & ELV, 5% Dim, 120/277VAC
 Lutron LDE1 Hi-Lume® 1% Soft-On/Fade-to-Black, 120/277VAC
 0-10V, 1% Dim, 120/277VAC
 DALI, 1% Dim, 120/277VAC



Certifications



Fixture Summary

Fixture Type

New Construction	Remodeler	Trim	Trimless
Yes	Yes	Yes	Yes

Performance Data

Watts	Delivered Lumens	LPW	Color Temp-CRI
15	866	58.7	3000K-83

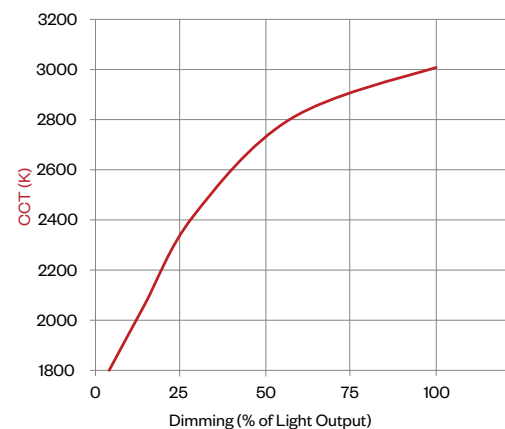
Data is based on 3000K-83 120V IES files available on website.
 Data is based on RD trim, VNF optic. See pages 8-11 for other performance data.
 Includes 2W for thermal protector.

Electrical Data

Voltage	12W		15W*	
	System Watts	Amps	System Watts	Amps
120V	12	0.10	15	0.13
277V	12	0.04	15	0.06

Electronic constant current LED driver.
 * Includes thermal protector, 2W power consumption.

Dim-To-Warm CCT Curve



PROJECT:

TYPE:

Ordering Information - Housing/Frame

1	2	3	4	5	6
1 Model For New Construction EZ-NC-DTW-A17 (New Construction) EZ-CP-DTW-A17 (Chicago Plenum, 12W only) EZ-IC-DTW-A17 (Insulated Ceiling/air tight, 12W only) For Existing Ceilings EZ-REM-DTW-A17 (Remodeler)	2 Style T - trimmed RTL - round trimless	3 Wattage 12 (IC) 15 (not available for use with IC housing)	4 Voltage 120 277 120/277 (for use with IC housing only)	5 Driver (for non-dimming, select LE/TE option) LE/TE ^{T24} TRIAC/ELV dimming, 5% dim HILUME-H-ECO Lutron LDE1 Hi-lume® 1% dim Soft-On/Fade-to-Black 0-10V ^{T24} 0-10V dimming; 1% dim DALI DALI dimming; 1% dim	6 Options/Accessories EM integral emergency battery pack with remote test switch, requires 7" ceiling clearance (not available for use with CP, IC or REM options) HB49 hanger bars from min 29" to max 49" (not available for use with REM option) Note: 26" hanger bars are included as standard. Choose HB49 option above for larger mounting spaces only.

Ordering Information - Trim

1	2	3	4	5
1 Model EZRD-DTW-A17 (downlight) EZRA-DTW-A17 (adjustable) EZRLW-DTW-A17 (wall wash) EZRSHW-DTW-A17 (shower) EZRPD-DTW-A17 (pinhole downlight)	2 Style T - trimmed TL - trimless (not available for shower (EZRSHW) trim)	3 Finish RD/RA/RLW/RSHW trims Trimmed Trimless MWW matte white, white flange MW matte white RPD trim (Trimmed & Trimless) MW matte white	4 Beam Spread (not for use with EZRLW trim) VNF very narrow flood, 18° FL flood, 35° WF wide flood, 45° (not recommended for use with EZRPD trim) VWF very wide flood, 50° (not recommended for use with EZRPD trim)	5 Color Temp 95 CRI 309 3000K-95

PROJECT:

TYPE:

Specifications

Application

Hospitality, retail and commercial ambient, accent and wall wash lighting

Construction

20 ga. galvanized steel frame

18 ga. galvanized steel splice housing and hanger brackets (*not for use with Remodeler version*)

Cast aluminum plaster frame with perforated face (*for trimless version only*)

Die-cast optical housing, trim and heatsink

Optical

For RD/RA/RSHW/RPD

Beam Spreads: Very narrow flood, 18°; Flood, 35°; Wide Flood, 45°; Very Wide Flood, 50°

For RA

Tilt: 0-30° tilt lock, 355° rotation

For RLW/RSHW

RLW fixture: Engineered nano technology lens provides high transmission while concealing LED image

RSHW fixture: Siliconed solite lens

LED

Color Temp Options: 3000K dims to 1800K (*12W fixtures start at 2900K*)

CRI: 95 typ. (± 3 across dimming range)

R9 Values: 85 (*95 CRI*)

Binning: 3 MacAdam (*SDCM*)

Life: 50,000+ hrs, > 70% of initial lumens at 50,000 hrs

Electrical

Wattage: 12W (*IC*), 15W

Electronic constant current LED driver, 120/277VAC input

This product complies with IEEE C62.41 for surge endurance up to 2.5KV.

Amerlux® recommends using additional surge protection with this unit (supplied by others), surge and over voltage damage is not covered under warranty.

Note: Drivers are universal but thermal protector is voltage specific

Drivers

LE/TE - Leading Edge (*Triac, Forward Phase*) or Trailing Edge (*ELV, Reverse Phase*)

0-10V, Lutron and DALI systems also available

See pages 12-13 for more dimming information

Finish

Powder coat paint

Consult factory for custom finishes

Mounting

26" Hanger bars included (*except for Remodeler versions*)

Optional **HB49** - hanger bars from min 29" to max 49" available

Trimmed Fixture

For use in grid or sheetrock ceilings, max ceiling thickness 1"

Trimless Fixture

For use in sheetrock ceilings, max ceiling thickness 5/8"

Certifications

CSA approved to UL standards

Damp location

Chicago Plenum (*CCEA*) optional

IC/AT rated option (*12W only*)

JA10 compliant for Title 24 per UL Test 13005791.01A (*available upon request*)

Warranty

5 year limited warranty

Emergency Battery Pack (EM)

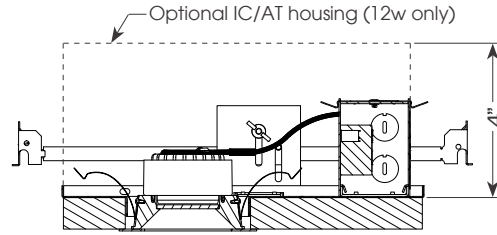
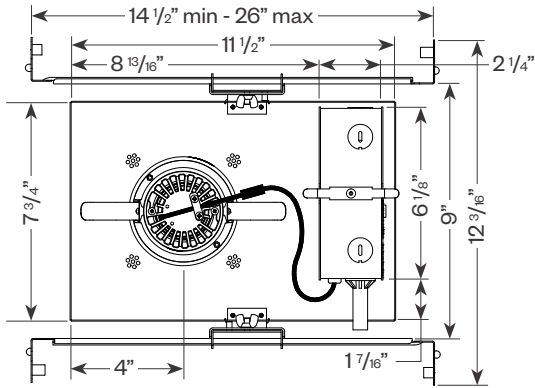
Powers fixture at 5.1 watts (*approx. 400 Lm*) for 90 minutes (*not for use with REM, CP or IC versions*)

See page 15 for wiring schematic

PROJECT:

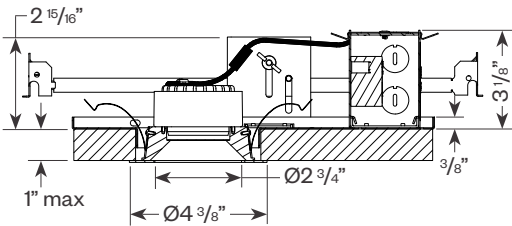
TYPE:

Product Details - Trimmed

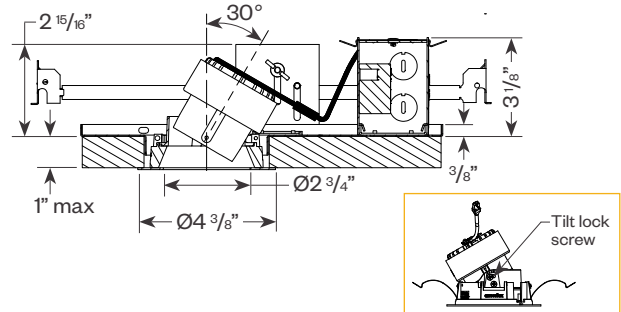


Ceiling Cut Out: 4" dia.

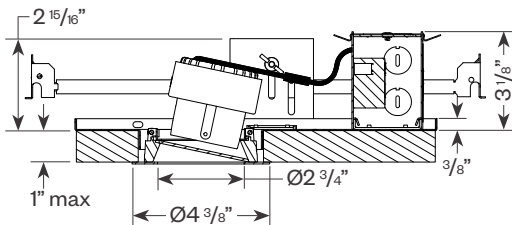
Downlight



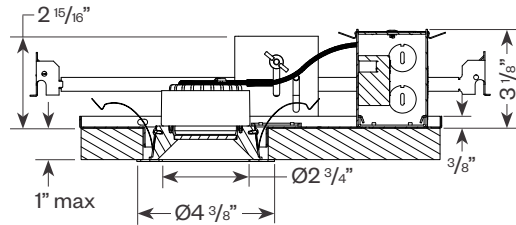
Adjustable



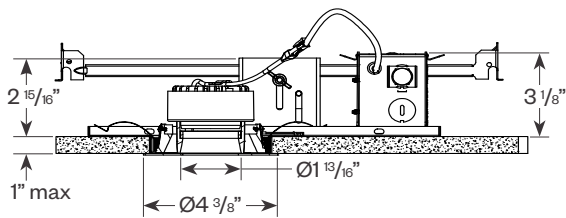
Lens Wall Wash



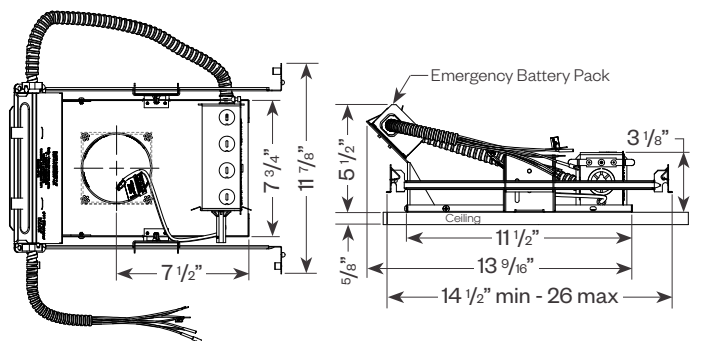
Shower



Pinhole Downlight



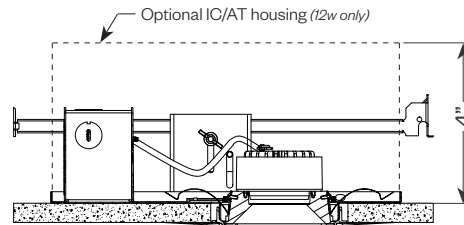
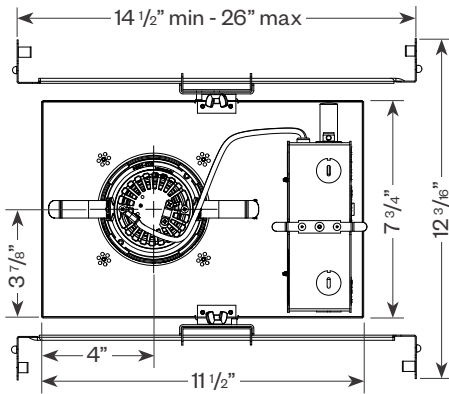
Frame with Emergency Battery Pack



PROJECT:

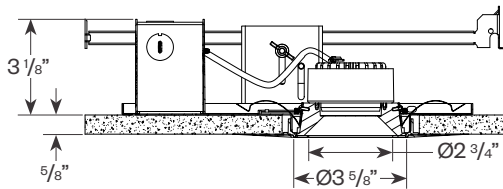
TYPE:

Product Details - Trimless

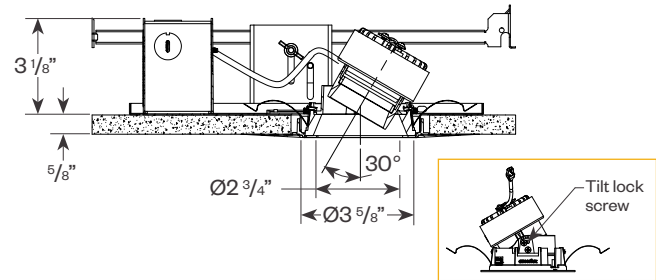


Trimless Ceiling Cut Out: 4 1/2" dia.

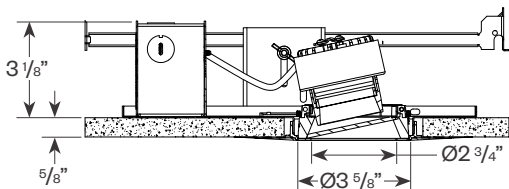
Downlight



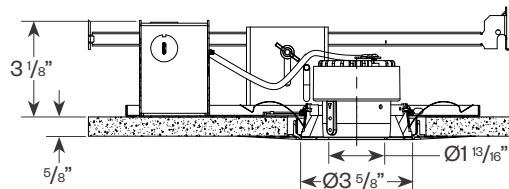
Adjustable



Lens Wall Wash

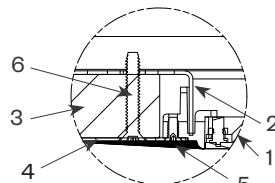


Pinhole Downlight

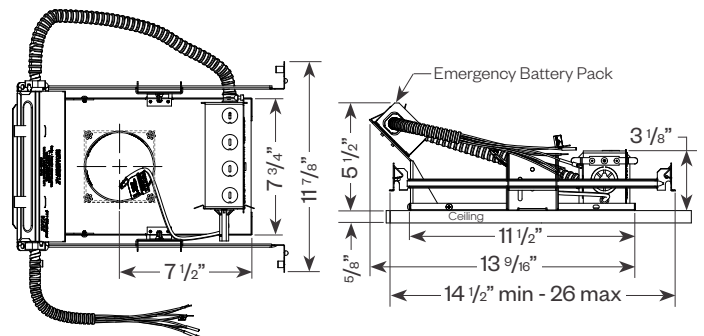


Plaster Frame Installation Detail (for trimless fixture only)

1. Reflector Trim
2. Aperture Plate
3. Ceiling 5/8"
4. Cast Aluminum Plaster Frame
5. Plaster Skim Coat (by others)
6. 6-32 Type F Thread Cutting Screw



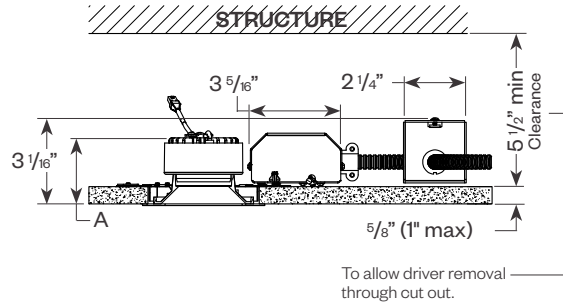
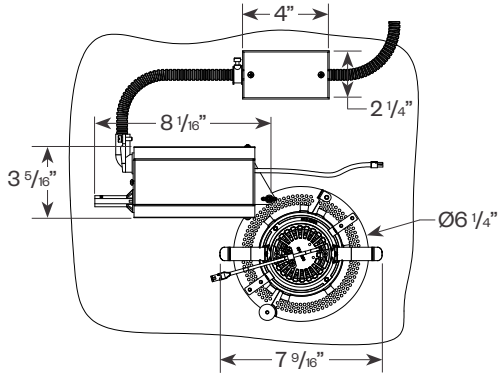
Frame with Emergency Battery Pack



PROJECT:

TYPE:

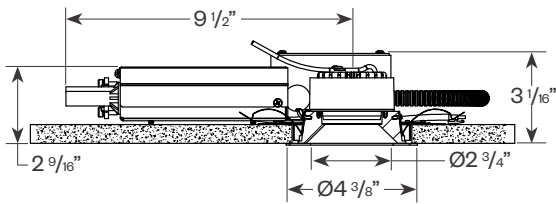
Product Details - Remodeler Trimmed



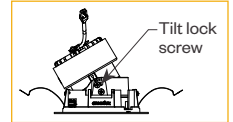
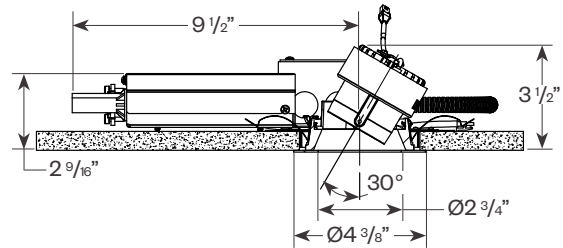
Product	A
EZRD-REM	2 9/8"
EZRA-REM	3 3/16"
EZRLW-REM	3 5/16"
EZRSHW-REM	2 9/8"
EZRPD-REM	2 1/2"

Ceiling Cut Out: 4" dia.

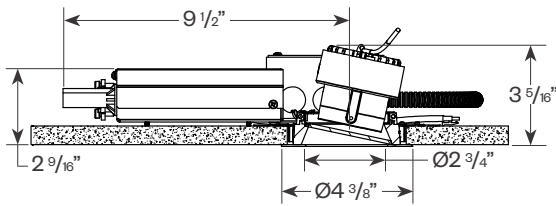
Downlight



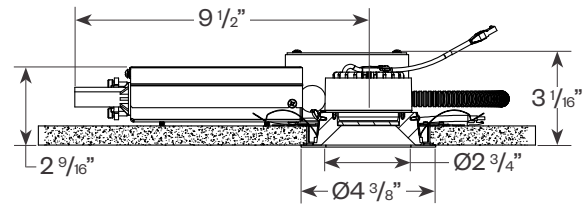
Adjustable



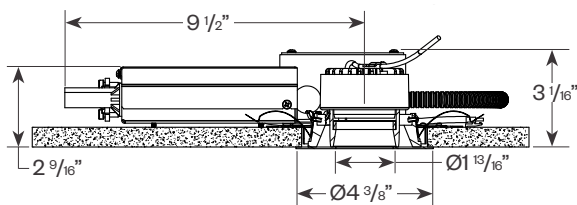
Lens Wall Wash



Shower



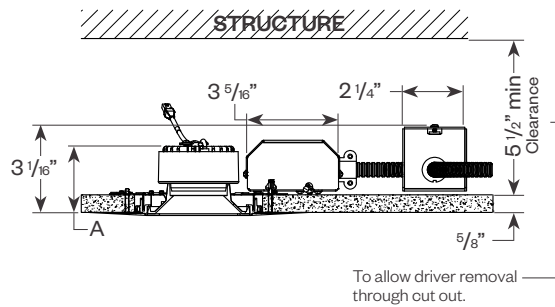
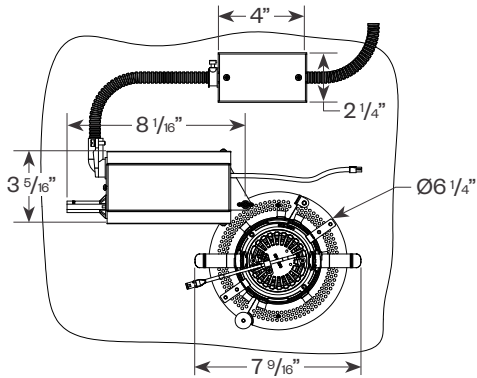
Pinhole Downlight



PROJECT:

TYPE:

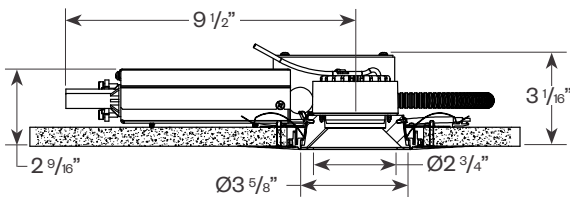
Product Details - Remodeler Trimless



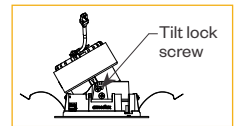
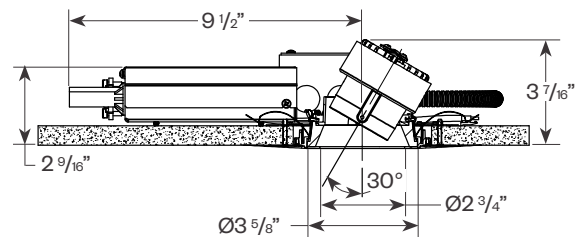
Product	A
EZRD-REM-TL	2 5/16"
EZRA-REM-TL	3 1/8"
EZRLW-REM-TL	3 1/4"
EZRPD-REM-TL	2 7/16"

Trimless Ceiling Cut Out: 4 1/2" dia.

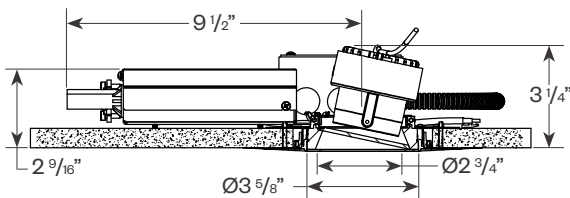
Downlight



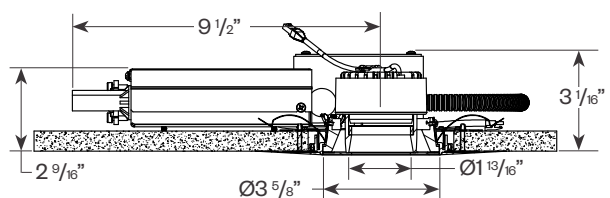
Adjustable



Lens Wall Wash

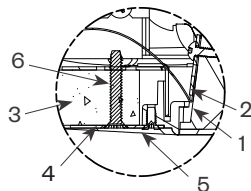


Pinhole Downlight



Plaster Frame Installation Detail (for trimless fixture only)

1. Reflector Trim
2. Aperture Plate
3. Ceiling 5/8"
4. Cast Aluminum Plaster Frame
5. Plaster Skim Coat (by others)
6. 6-32 Type F Thread Cutting Screw



PROJECT:

TYPE:

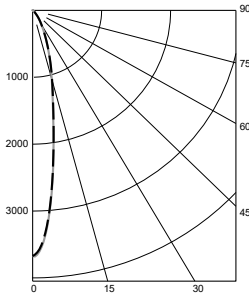
Performance Data - Round Downlight (EZR-DTW)

Multiplying Factors: (Multiplying Factor is based on 3000K-95 120V IES file on website)

Wattage:	12W	15W
Factor:	0.8	1.0

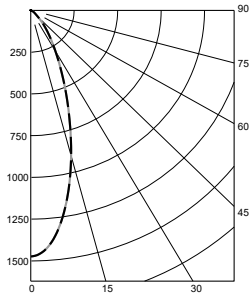
15W LED, 3000K-95

Very Narrow Flood (VNF)
Distribution, 18°
LTL # 11919582.01
Lumens: 866



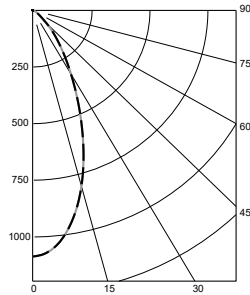
Candelas at Nadir	
Deg	Candela
0	3674
5	2877
15	1011
25	392
35	143
45	40

Flood (FL)
Distribution, 35°
LTL # 11919582.02
Lumens: 796



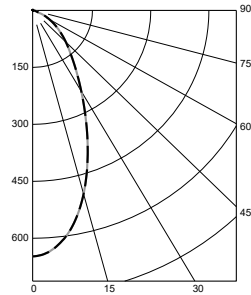
Candelas at Nadir	
Deg	Candela
0	1474
5	1392
15	900
25	434
35	192
45	72

Wide Flood (WF)
Distribution, 45°
LTL # 11919582.03
Lumens: 790



Candelas at Nadir	
Deg	Candela
0	1086
5	1051
15	799
25	459
35	223
45	92

Very Wide Flood (VWF)
Distribution, 50°
LTL # 11919582.04
Lumens: 663



Candelas at Nadir	
Deg	Candela
0	648
5	629
15	497
25	317
35	189
45	118

Application Data - Round Downlight (EZR-DTW)

Notes and Definitions:

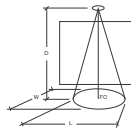
Beam spread is to 50% center beam candlepower (CBCP).

D=Distance to floor or wall.

FC=Footcandles on floor or wall at center beam aiming location.

L=Effective Visual Beam length in feet (50% of maximum footcandle level).

W=Effective Visual Beam width in feet (50% of maximum footcandle level).



0° Aiming Angle
Horizontal
Footcandles

Very Narrow Flood	D	FC	L	W
	5.0'	141	1.6	1.6
7.5'	64	2.5	2.5	
10.0'	36	3.3	3.3	
12.5'	23	3.9	3.9	



0° Aiming Angle
Horizontal
Footcandles

Flood	D	FC	L	W
	5.0'	57	3.1	3.1
7.5'	26	4.5	4.5	
10.0'	15	5.9	5.9	
12.5'	9	7.5	7.5	



0° Aiming Angle
Horizontal
Footcandles

Wide Flood	D	FC	L	W
	5.0'	42	3.6	3.6
7.5'	19	5.4	5.4	
10.0'	11	7.2	7.2	
12.5'	7	9.0	9.0	



0° Aiming Angle
Horizontal
Footcandles

Very Wide Flood	D	FC	L	W
	5.0'	25	3.8	3.8
7.5'	11	5.7	5.7	
10.0'	7	7.7	7.7	
12.5'	4	9.7	9.7	

PROJECT:

TYPE:

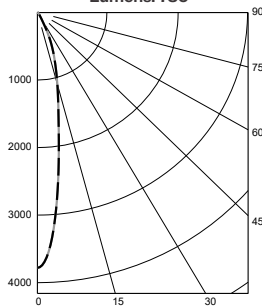
Performance Data - Round Adjustable (EZRA-DTW)

Multiplying Factors: (Multiplying Factor is based on 3000K-95 120V IES file on website)

Wattage:	12W	15W
Factor:	0.8	1.0

15W LED, 3000K-95

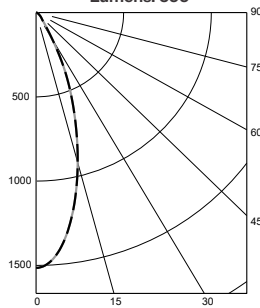
Very Narrow Flood (VNF)
Distribution, 18°
LTL # 11919582.05
Lumens: 780



Candelas at Nadir

Deg	Candela
0	3781
5	2933
15	1042
25	335
35	61
45	33

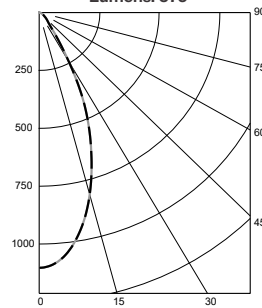
Flood (FL)
Distribution, 35°
LTL # 11919582.06
Lumens: 699



Candelas at Nadir

Deg	Candela
0	1515
5	1430
15	919
25	405
35	91
45	41

Wide Flood (WF)
Distribution, 45°
LTL # 11919582.07
Lumens: 679



Candelas at Nadir

Deg	Candela
0	1103
5	1067
15	809
25	445
35	117
45	46

Application Data - Round Adjustable (EZRA-DTW)

Notes and Definitions:

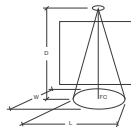
Beam spread is to 50% center beam candlepower (CBCP).

D=Distance to floor or wall.

FC=Footcandles on floor or wall at center beam aiming location.

L=Effective Visual Beam length in feet (50% of maximum footcandle level).

W=Effective Visual Beam width in feet (50% of maximum footcandle level).



0° Aiming Angle
Horizontal
Footcandles

	D	FC	L	W
Very Narrow Flood	5.0'	145	1.6	1.6
	7.5'	66	2.5	2.5
	10.0'	37	3.3	3.3
	12.5'	24	3.9	3.9



0° Aiming Angle
Horizontal
Footcandles

	D	FC	L	W
Flood	5.0'	58	3.1	3.1
	7.5'	26	4.5	4.5
	10.0'	15	5.9	5.9
	12.5'	10	7.4	7.4



0° Aiming Angle
Horizontal
Footcandles

	D	FC	L	W
Wide Flood	5.0'	43	3.6	3.6
	7.5'	19	5.4	5.4
	10.0'	11	7.1	7.1
	12.5'	7	8.9	8.9

PROJECT:

TYPE:

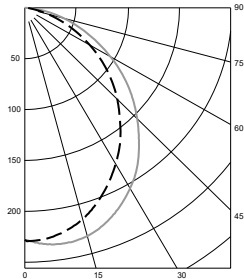
Performance Data - Round Lens Wall Wash (EZRLW-DTW)

Multiplying Factors: (Multiplying Factor is based on 3000K-95 120V IES file on website)

Wattage:	12W	15W
Factor:	0.8	1.0

15W LED, 3000K-95

Lens Wall Wash Distribution
LTL #11919582.11
Lumens: 533



ZONAL LUMEN SUMMARY

Zone	Lumens	%Fixt
0-40	270	50.7
0-60	449	84.1
0-90	533	100.0
90-180	0	0.0

Luminaire Efficacy: 36.3 lumens/watt

Application Data - Round Lens Wall Wash (EZRLW-DTW)

Footcandles on Wall

Footcandles are average and rounded off.
Data for multiple units are based on a minimum of five units.

1.5 Feet From Wall

Distance from ceiling	1.5' Spacing					
	0.5'	1.5'	2.5'	3.5'	4.5'	5.5'
0.5'	29	30	32	30	29	29
1.5'	45	47	49	47	45	45
2.5'	28	31	32	31	29	29
3.5'	17	19	19	19	17	17
4.5'	11	12	12	12	11	11
5.5'	7	8	8	8	8	8
6.5'	5	6	6	6	6	6
7.5'	4	5	5	5	4	4

1.5 Feet From Wall

Distance from ceiling	2' Spacing					
	0.5'	1.5'	2.5'	3.5'	4.5'	5.5'
0.5'	20	27	21	27	21	20
1.5'	34	38	36	38	36	34
2.5'	23	24	25	25	24	23
3.5'	14	15	16	16	15	14
4.5'	9	10	10	10	10	9
5.5'	6	7	7	7	7	6
6.5'	5	5	5	5	5	5
7.5'	4	4	4	4	4	4

2 Feet From Wall

Distance from ceiling	2' Spacing					
	0.5'	1.5'	2.5'	3.5'	4.5'	5.5'
0.5'	12	13	13	13	13	12
1.5'	24	26	26	26	26	24
2.5'	22	23	24	24	24	22
3.5'	15	17	17	18	17	15
4.5'	11	12	12	12	12	11
5.5'	8	8	9	9	9	8
6.5'	6	6	6	7	6	6
7.5'	5	5	5	5	5	5

PROJECT:

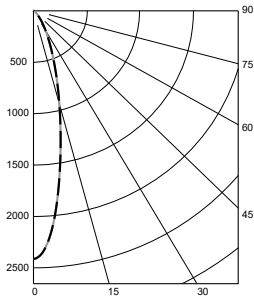
TYPE:

Performance Data - Round Shower (EZRSHW-DTW)

(Complete photometric data (.ies format) available on website)

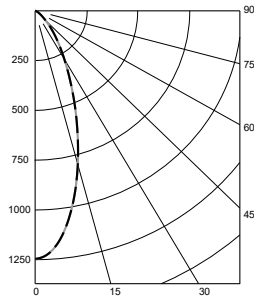
15W LED, 3000K-95

Very Narrow Flood (VNF)
Distribution, 18°
LTL # 11919582.08
Lumens: 813



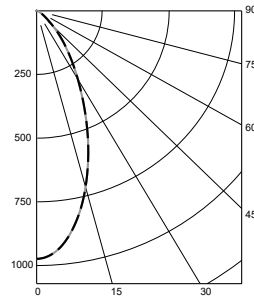
Candelas at Nadir	
Deg	Candela
0	2413
5	2103
15	961
25	389
35	155
45	56

Flood (FL)
Distribution, 35°
LTL # 11919582.09
Lumens: 748



Candelas at Nadir	
Deg	Candela
0	1246
5	1181
15	796
25	412
35	194
45	79

Wide Flood (WF)
Distribution, 45°
LTL # 11919582.10
Lumens: 742



Candelas at Nadir	
Deg	Candela
0	974
5	940
15	713
25	427
35	219
45	94

Application Data - Round Shower (EZRSHW-DTW)

Notes and Definitions:

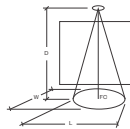
Beam spread is to 50% center beam candlepower (CBCP).

D=Distance to floor or wall.

FC=Footcandles on floor or wall at center beam aiming location.

L=Effective Visual Beam length in feet (50% of maximum footcandle level).

W=Effective Visual Beam width in feet (50% of maximum footcandle level).



0° Aiming Angle
Horizontal
Footcandles

Very Narrow Flood	D	FC	L	W
	5.0'	93	2.2	2.2
	7.5'	42	3.3	3.3
	10.0'	24	4.2	4.2
	12.5'	15	5.3	5.3



0° Aiming Angle
Horizontal
Footcandles

Flood	D	FC	L	W
	5.0'	48	3.2	3.2
	7.5'	22	4.7	4.7
	10.0'	12	6.2	6.2
	12.5'	8	7.8	7.8



0° Aiming Angle
Horizontal
Footcandles

Wide Flood	D	FC	L	W
	5.0'	38	3.6	3.6
	7.5'	17	5.4	5.4
	10.0'	10	7.2	7.2
	12.5'	6	9.1	9.1

PROJECT:	TYPE:
-----------------	--------------

Dimming Compatibility

Amerlux® Essenza® fixtures are compatible with all major dimming protocols prevalent in the United States. Please see below for general compatibilities and wiring diagrams. Amerlux recommends testing your unique dimming configuration as the exact full configuration (*Dimmer, Fixture Quantity, Voltage, etc*) may affect dimming performance.

--- NOTE: INFORMATION BELOW IS FOR WIRED DIMMERS ONLY. FOR WIRELESS DIMMERS, CONSULT FACTORY ---

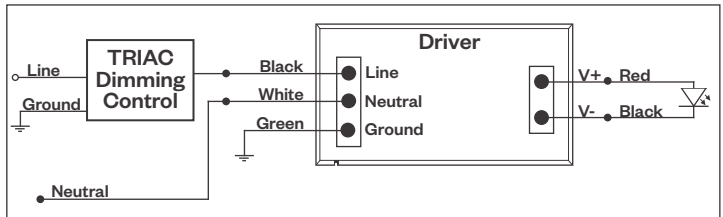
TRIAC (Forward Phase) Dimming

Utilizes standard TRIAC dimmers that are in wide use in installations across the US. Best for retrofit applications where TRIAC dimmers are installed.

Notes:

- 120VAC or 277VAC*
- Dims down to 5% light output (*most cases*)
- Consult Dimming manufacturer for installation instructions - **DO NOT SHARE NEUTRALS!**
- Must meet dimmer Minimum Load Requirements per dimming manufacturer

TRIAC Wiring Diagram



Compatible Dimmers†:	
Wall Box (TRIAC 120VAC)	Central System
Lutron "Diva"	Lutron "GP" Panel
Lutron "Nova-T"	Lutron Grafik Eye QS
Lutron "Maestro"	
Lutron "Skylark"	

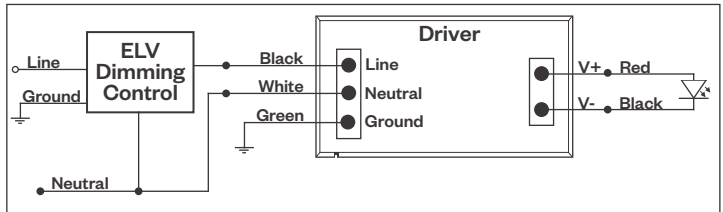
ELV - Electronic Low Voltage (Reverse Phase) Dimming

Utilizes specialized "ELV" dimmers.

Notes:

- 120VAC or 277VAC*
- Dims down to 5% light output (*most cases*)
- Consult Dimming manufacturer for installation instructions - **DO NOT SHARE NEUTRALS!**
- Must meet dimmer Minimum Load Requirements per dimming manufacturer

ELV Wiring Diagram



Compatible Dimmers†:		
Wall Box (ELV 120VAC)	Wall Box (ELV 277VAC)	Central System
Lutron "Diva"	Leviton Revoir II AWSMT-E	Lutron "GP" Panel with PHPM-PA 120/277VAC
Lutron "Nova-T"		Lutron Grafik Eye QS with PHPM-PA 120/277VAC
Lutron "Maestro"		
Lutron "Skylark"		
Leviton "Surslide"		
Leviton "Vizio"		

Notes:
 * Driver is 277VAC dimmable with appropriate dimmer (*by others*). All provided wiring diagrams show 120VAC wiring colors and method. Please refer to 277VAC dimmer installation instructions for 277VAC wiring diagrams.
 † The absence of a dimmer from the lists above does not imply incompatibility. Please consult factory for compatibility inquiries.

PROJECT:

TYPE:

Dimming Compatibility *(continued)*

Amerlux® Essenza® fixtures are compatible with all major dimming protocols prevalent in the United States. Please see below for general compatibilities and wiring diagrams. Amerlux recommends testing your unique dimming configuration as the exact full configuration (*Dimmer, Fixture Quantity, Voltage, etc*) may affect dimming performance.

--- NOTE: INFORMATION BELOW IS FOR WIRED DIMMERS ONLY. FOR WIRELESS DIMMERS, CONSULT FACTORY ---

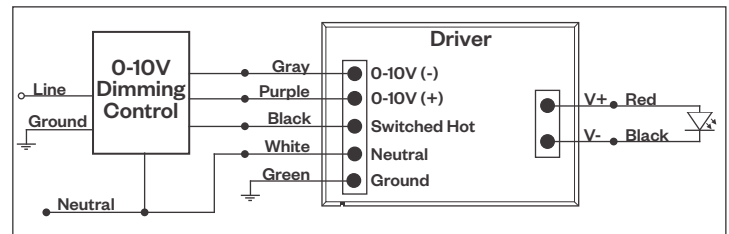
0-10V Dimming

Integrates into a variety of building management and daylighting controls

Notes:

- 120VAC or 277VAC*
- Dims down to 1% light output
- Requires interface to turn off power to driver
- Consult Dimming manufacturer for installation instructions - **DO NOT SHARE NEUTRALS!**

0-10V Wiring Diagram



Compatible Dimmers*:

Wall Box		Central System
Lutron "Diva" - DVSTV	Leviton Renoir II 0-10V	Lutron Grafik Eye with GRX-TVI Interface

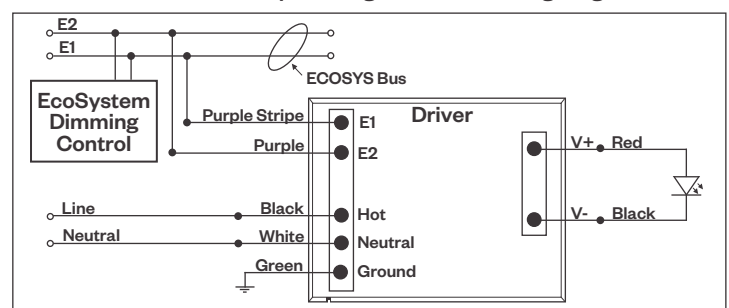
Lutron LDE1 Dimming

Integrates into Lutron EcoSystem building management

Notes:

- 120VAC or 277VAC*
- Dims down to 1% Soft-On/Fade-to-Black
- EcoSystem Control
- Consult Dimming manufacturer for installation instructions - **DO NOT SHARE NEUTRALS!**

LDE1 (HILUME-H-ECO) EcoSystem Digital Control Wiring Diagram



Compatible Dimmers*:

Lutron ECO System	Central System
Pow Pak Dimming Modules	Lutron EcoSystem compatible controls
Energi Savr Node	
Grafik Eye QS/Homeworks	
QS Control Unit	
Quantum Hub	
Homeworks QS/My Room	

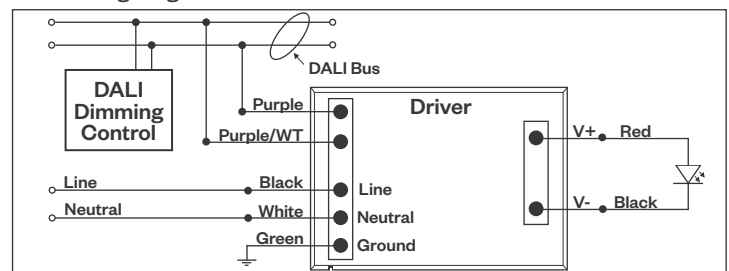
DALI Dimming

Digital control protocol allows individual fixture control

Notes:

- 120VAC - 277VAC*
- Dims down to 1% light output in most cases

DALI Wiring Diagram



Compatible Dimmers*:

Wall Box (3-Wire Fluorescent)	Central System
Leviton CD250 Controller	Dynalite
	Fifth Light

Notes:

* Driver is 277VAC dimmable with appropriate dimmer (*by others*). All provided wiring diagrams show 120VAC wiring colors and method. Please refer to 277VAC dimmer installation instructions for 277VAC wiring diagrams.

† The absence of a dimmer from the lists above does not imply incompatibility. Please consult factory for compatibility inquiries.

PROJECT:	TYPE:
-----------------	--------------

Emergency Battery Pack

Wiring Diagram

