

INSTRUCTION SHEET



**ESSENZA-A17/HDL-HP-A14/HDL-HP-A17
FRAME INSTALLATION**

689-0625

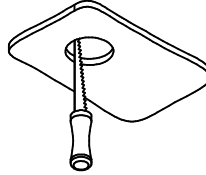
PAGE 1 OF 2

WARNING - RISK OF FIRE AND ELECTRICAL SHOCK. FIXTURE MUST BE INSTALLED BY A QUALIFIED ELECTRICIAN ONLY. FIXTURE IS INTENDED FOR INSTALLATION IN ACCORDANCE WITH THE NATIONAL ELECTRICAL CODE, LOCAL AND FEDERAL SPECIFICATIONS. DISCONNECT POWER AT ELECTRICAL PANEL BEFORE SERVICING.

RETAIN THESE INSTRUCTIONS FOR MAINTENANCE REFERENCE.

CEILING CUTOUT

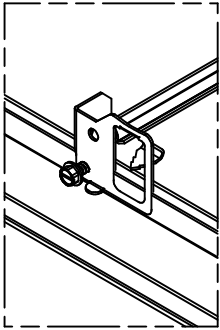
MODEL	STYLE	CUTOUT
HDL-HP-xx-A17 xx=NC xx=CP xx=IC xx=REM	R-T (Round Trimmed)	Ø4"
	S-T (Square Trimmed)	4"x4"
	R-TL (Round Trimless)	Ø4-1/2"
	S-TL (Square Trimless)	4-1/2"x4-1/2"



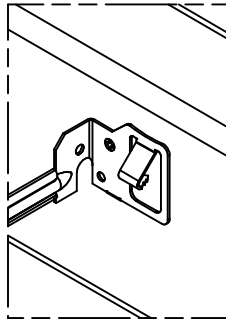
MODEL	STYLE	CUTOUT
EZ-xx-A17 xx=NC xx=CP xx=IC xx=REM	T (Trimmed)	Ø4"
	R-TL (Round Trimless)	Ø4-1/2"
	S-TL (Square Trimless)	4-1/2"x4-1/2"

**NOTE: ROUND FRAME INSTALLATION SHOWN.
FOLLOW SAME PROCEDURE TO INSTALL SQUARE FRAME.**

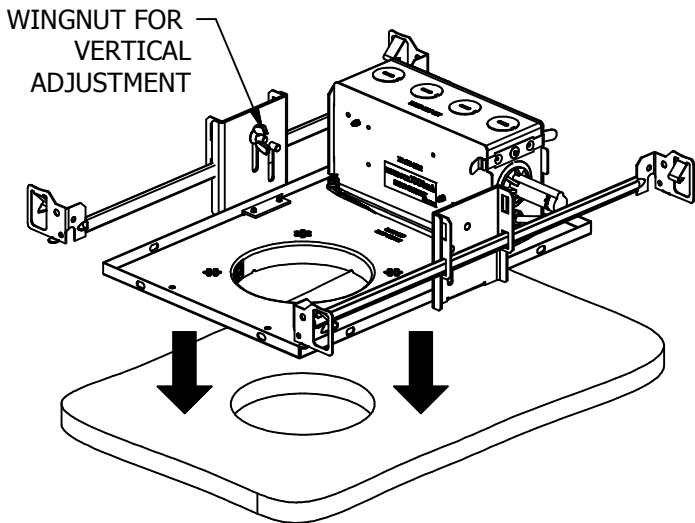
TRIMMED FRAME



FASTEN TO STRUCTURAL MEMBER OR T-BAR

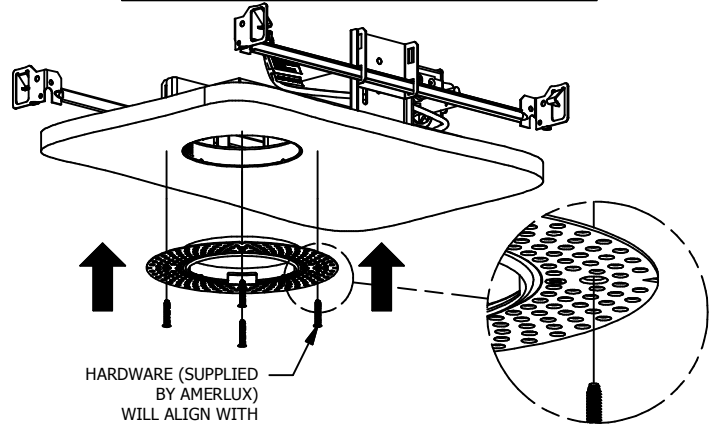


SCREW TO WOOD OR METAL STRUCTURE

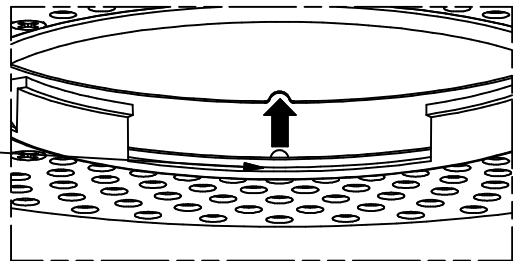


WINGNUT FOR VERTICAL ADJUSTMENT

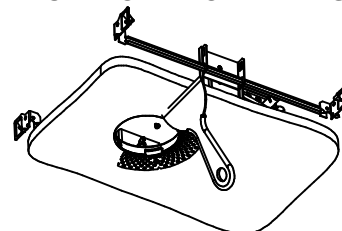
ROUND TRIMLESS FRAME



HARDWARE (SUPPLIED BY AMERLUX) WILL ALIGN WITH PERFORATION IN APERTURE PLATE



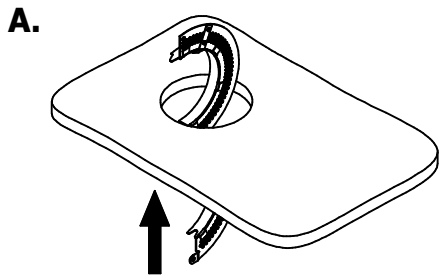
IMPORTANT NOTE: REST ALIGNMENT MARKERS WITHIN THE NOTCHES OF APERTURE AS SHOWN. THIS IS CRITICAL FOR PROPER ALIGNMENT.



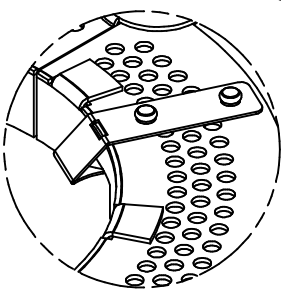
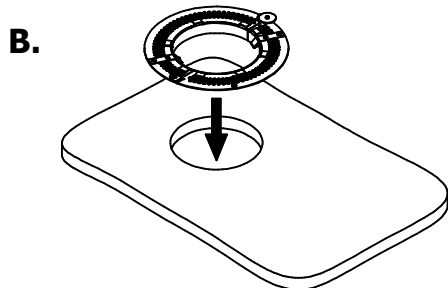
Amerlux, 178 Bauer Drive, Oakland, N.J. 07436, T: 973-882-5010, F: 973-882-2604 www.amerlux.com

**WARNING - RISK OF FIRE AND ELECTRICAL SHOCK. FIXTURE MUST BE INSTALLED BY A QUALIFIED ELECTRICIAN ONLY. FIXTURE IS INTENDED FOR INSTALLATION IN ACCORDANCE WITH THE NATIONAL ELECTRICAL CODE, LOCAL AND FEDERAL SPECIFICATIONS. DISCONNECT POWER AT ELECTRICAL PANEL BEFORE SERVICING.
RETAIN THESE INSTRUCTIONS FOR MAINTENANCE REFERENCE.**

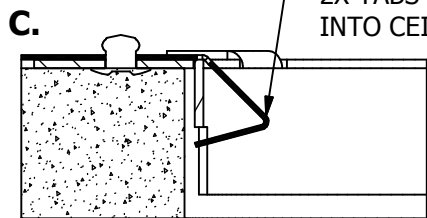
REMODELER FRAME



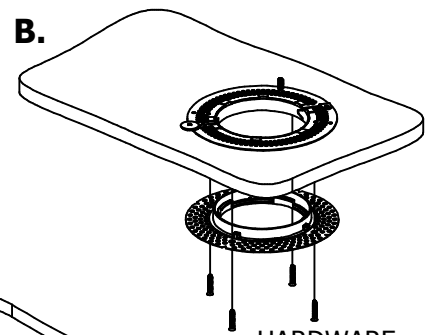
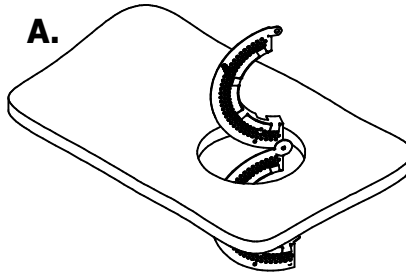
OPEN RING AND INSERT INTO CEILING, THEN CLOSE RING AND LOCATE IN CEILING CUTOUT.



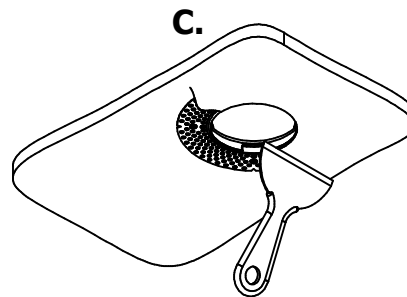
SECURE BY HAMMERING 2X TABS INTO CEILING.



REMODELER TRIMLESS FRAME



HARDWARE (SUPPLIED BY AMERLUX).



**REMODELER DRIVER INSTALLATION
REMODELER AND REMODELER TRIMLESS FRAMES**

