

# Essenza®

## Round Downlights



### Features

Essenza LED Downlights are designed to deliver the features required for your Hotel and Residential High Rise or Commercial projects. Available with 12W or 18W LED modules, and centered around the outputs of traditional MR-16's, the Essenza is perfect for your lighting needs in these areas. The shallow frame (only 3-1/8" plenum depth) is universal to accept either round or square (standard) trims. Trims available include Downlight, Adjustable Accent, Wall Wash and Lensed Shower trims, giving designers the ability to complete any design scheme.

### Product Overview

**Type:** Recessed Round Downlight, Accent, Wall Wash  
**Wattage:** 12W, 18W  
**Lumen Output:** 1,548 max; 87.3 Lm/W (EZRD Spot optic, 3000K-83)  
**Color Temp:** 2200K, 2700K, 3000K, 3500K, 4000K  
**CRI:** 83 typ. (2700K, 3000K, 3500K, 4000K)  
 90+ typ. (2200K, 2700K, 3000K, 3500K, 4000K)  
 CrispWhite & 3K Class A available  
**Dimming:** TRIAC & ELV (120/277VAC) - 5% Dim  
 Lutron LDE1 Hi-lume® 1% Soft-On/Fade-to-Black (120/277VAC)  
 0-10V (120/277VAC) - 1% Dim  
 DALI dimming - 1% Dim



Downlight



Adjustable

### PROJECT:

### TYPE:



Lens Wall Wash



Shower



Pinhole Downlight

### Fixture Type

New Construction	Remodeler	Trim	Trimless
Yes	Yes	Yes	Yes

### Performance Chart

Wattage	83 CRI			90+ CRI		
	Delivered Lumens	LPW	Color Temp	Delivered Lumens	LPW	Color Temp
12	1284	102.4	3000K-83	1074	85.7	3000K-90+
18	1548	87.3	3000K-83	1295	71.94	3000K-90+

Data is EZRD Spot optic. See pages 6-9 for other beam spreads  
 18W includes 2W thermal protector

### Electrical Data

	12W		18W	
	System Watts	Amps	System Watts	Amps
120V	12	0.10	18	0.15
277V	12	0.04	18	0.06

Electronic constant current LED driver  
 18W includes 2W thermal protector



**PROJECT:**

**TYPE:**

**Housing/Frame Ordering Information**

1	2	3	4	5	6
<p><b>1 Model</b> For New Construction <b>EZ-NC-A17<sup>†</sup></b> (New Construction) <b>EZ-CP-A17<sup>†</sup></b> (Chicago Plenum (CCEA) housing, 12W only) <b>EZ-IC-A17<sup>†T24</sup></b> (Insulated Ceiling/air tight housing, 12W only)</p> <p>For Existing Ceilings <b>EZ-REM-A17<sup>†</sup></b> (Remodeler, for existing ceilings)</p>	<p><b>2 Style</b> T - trimmed RTL - round trimless</p>	<p><b>3 Wattage</b> <b>12<sup>T24</sup></b> <b>18</b> (not available for use with CP or IC housing)</p>	<p><b>4 Voltage</b> <b>120</b> <b>277</b> <b>120/277</b> (for use with IC housing only)</p>	<p><b>5 Driver</b> (for non-dimming, select LE/TE option) <b>LE/TE<sup>T24</sup></b> - TRIAC/ELV dimming <b>HILUME-H-ECO</b> - Lutron LDE1 Hi-lume® 1% Soft-On/ Fade-to-Black <b>0-10V<sup>T24</sup></b> - 0-10V dimming, 1% dim <b>DALI</b> - DALI dimming, 1% dim</p>	<p><b>6 Options/Accessories</b> <b>EM</b> - integral emergency battery pack with remote test switch, requires 7" ceiling clearance (not available for use with REM, CP or IC option) <b>HB49</b> - hanger bars from min 29" to max 49" (not available for use with REM options)</p>

**Trim Ordering Information**

1	2	3	4	5
<p><b>1 Model</b> <b>EZRD-A17<sup>†T24</sup></b> (downlight) <b>EZRA-A17<sup>†T24</sup></b> (adjustable) <b>EZRLW-A17<sup>†</sup></b> (wall wash, not JA8/Title compliant) <b>EZRSHW-A17<sup>†T24</sup></b> (shower, not available for use in trimless) <b>EZRPD-A17<sup>†T24</sup></b> (pinhole downlight)</p>	<p><b>2 Style</b> T - trimmed TL - trimless (not available for Shower (EZRSHW) trim)</p>	<p><b>3 Finish</b> RD/RA/RLW/RSHW Trims: <u>Trimmed</u> <b>MWW</b> - matte white, white flange <u>Trimless</u> <b>MW</b> - matte white</p> <p><u>RPD Trim (Trimmed &amp; Trimless):</u> <b>MW</b> - matte white</p>	<p><b>4 Beam Spreads</b> (not for use with EZRLW trim) <b>SP</b> - spot, 15° <b>FL</b> - flood, 28° <b>WF</b> - wide flood, 45° (not available for use with EZRPD trim) <b>VWF</b> - very wide flood, 60° (not available for use with EZRPD trim)</p>	<p><b>5 Color Temp</b> <b>83 CRI</b>                      <b>90+ CRI<sup>T24</sup></b> <b>27</b> - 2700K-83      <b>229</b> - 2200K-90+      <b>CRISP</b> - CrispWhite <b>30</b> - 3000K-83      <b>279</b> - 2700K-90+      <b>3CLA</b> - 3K Class A <b>35</b> - 3500K-83      <b>309</b> - 3000K-90+ <b>40</b> - 4000K-83      <b>359</b> - 3500K-90+                                  <b>409</b> - 4000K-90+</p>

<sup>T24</sup> JA8/Title 24 Compliant

<sup>†</sup> The "A" refers to the sequential revision in a year and "XX" refers to the year of update. Updates coincide with improved performance while not changing the overall fixture aesthetic and are reflected in the published performance data. Please contact your Amerlux representative for explanations of changes.

## PROJECT:

## TYPE:

### Specifications

#### Application

Hospitality, retail and commercial ambient, accent and wall wash lighting

#### Construction

20 ga. galvanized steel frame  
18 ga. galvanized steel splice housing and hanger brackets (not for use with Remodeler version)  
Cast aluminum plaster frame with perforated face (for trimless version only)  
Die-cast optical housing, trim and heatsink

#### Optical

Beam spreads (for RD, RA, RSHW & RPD fixtures):

Spot, 15°; Flood, 28°; Wide Flood, 45°;

Very Wide Flood, 60°

Tilt (for RA fixture): 0-30° tilt lock, 355° rotation

Lens:

RLW fixture: Engineered nano technology lens provides high transmission while concealing LED image

Shower fixture: Siliconed solite lens

#### LED

Color Temp Options:

2200K, 2700K, 3000K, 3500K, 4000K

CRI: 83 typ. (2700K, 3000K, 3500K, 4000K)

90+ typ. (2200K, 2700K, 3000K, 3500K, 4000K)

CrispWhite\* LED available,

Class A\*\* 3000K (high CRI, high gamut)

R9 Values: 11 (83 CRI), 55 (92 CRI)

Binning: 3 MacAdam (SDCM)

Life: 50,000+ hrs, > 70% of initial lumens at 50,000 hrs

*\*CrispWhite: CrispWhite Technology delivers the warmth of colors expected from a high 90 CRI solution but also creates the natural crisp white color that is pleasing to the eye. It creates the most impactful lighting ever available, by revealing the richest whites and vibrant colors that pop.*

*\*\*Class A LED: Class A LED's have a CRI > 80 and a GAI > 80. CRI defines color "Naturalness" and GAI defines color "Saturation." Both being high delivers rich colors and pure whites.*

#### Electrical

Wattage: 12, 18

Electronic constant current LED driver, 120/277VAC input

**This product complies with IEEE C62.41 for surge endurance up to 2.5KV. Amerlux® recommends using additional surge protection with this unit (supplied by others), surge and over voltage damage is not covered under warranty.**

**Note:** Drivers are universal but thermal protector is voltage specific

#### Drivers

LE/TE - Leading Edge, TRIAC, forward phase/Trailing Edge, ELV, reverse phase

0-10V, Lutron and DALI systems also available

See pages 13-14 for more dimming information

#### Finish

Powder coat paint

Consult factory for custom finishes

#### Mounting

26" Hanger bars included (except for Remodeler versions)

Optional **HB49** - hanger bars from min 29" to max 49" available

Trimmed

For use in T-grid or sheetrock ceilings, max thickness 1"

Trimless

For use in sheetrock ceilings, max thickness 5/8"

#### Certifications

CSA listed to UL standards

Damp location

Wet location (with Shower trim)

IC/AT (insulated ceiling/air tight) rated, 12W only, optional

Chicago Plenum (CCEA) optional

JA8/Title 24 Compliant (see ordering page for options that apply)

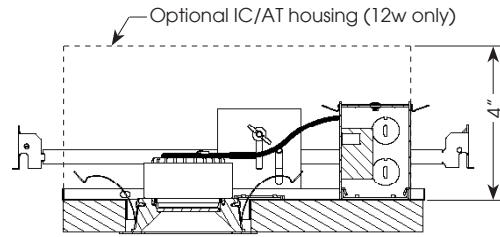
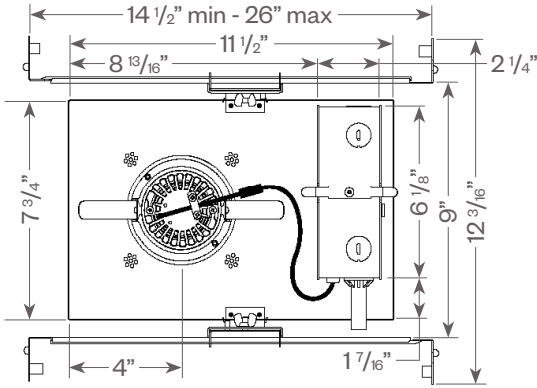
#### Warranty

3 year limited warranty

**PROJECT:**

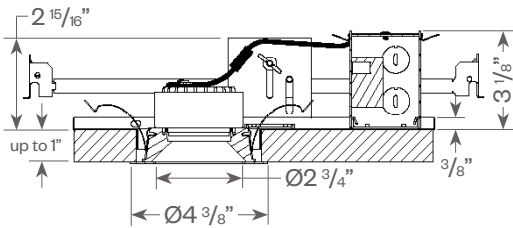
**TYPE:**

**Essenza Round Downlight:**

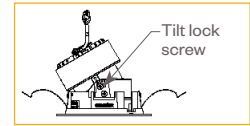
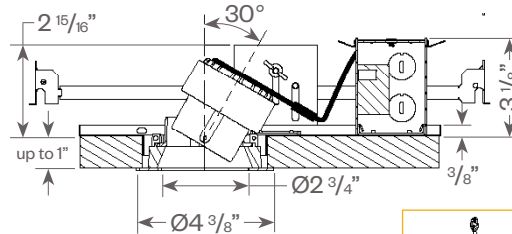


Ceiling cut out: 4" dia.

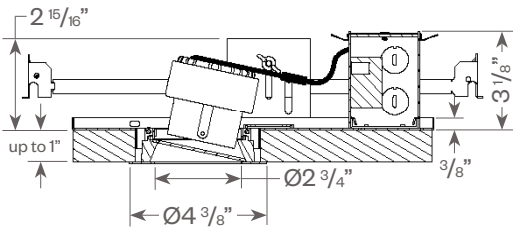
**Downlight**



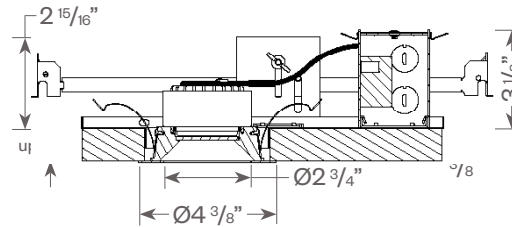
**Adjustable**



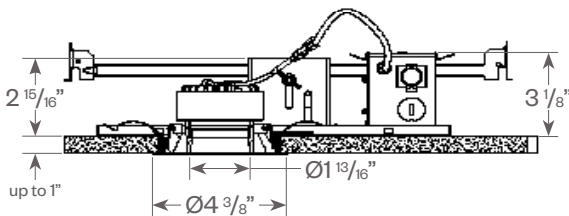
**Lens Wall Wash**



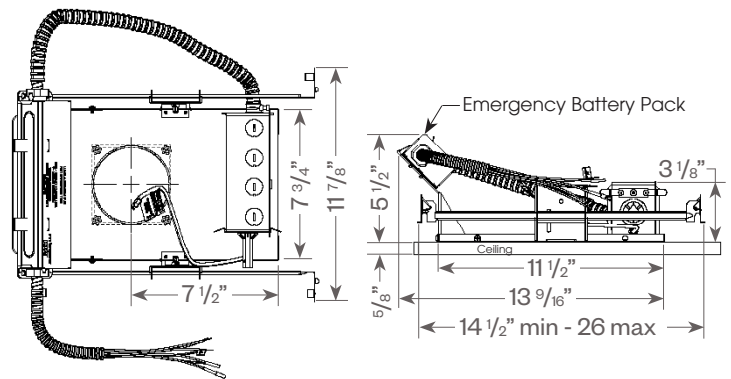
**Shower**



**Pinhole Downlight**



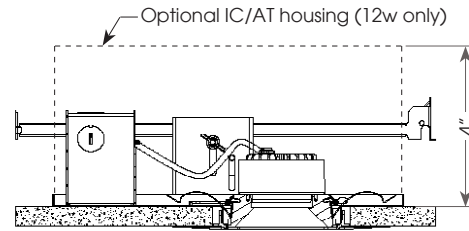
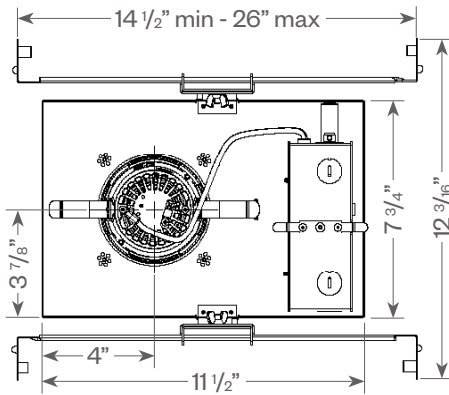
**Frame with Emergency Battery Pack**



**PROJECT:**

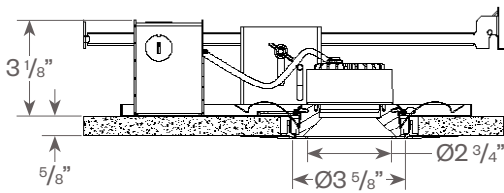
**TYPE:**

**Essenza Round Downlight Trimless:**

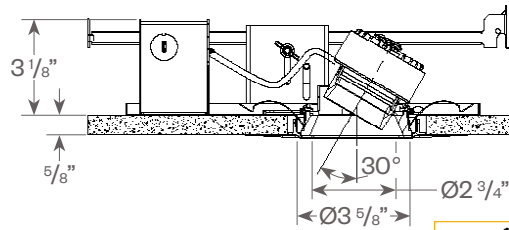


Trimless Ceiling cut out: 4 1/2" dia.

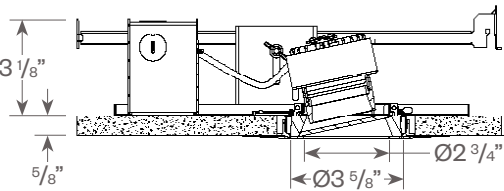
**Downlight**



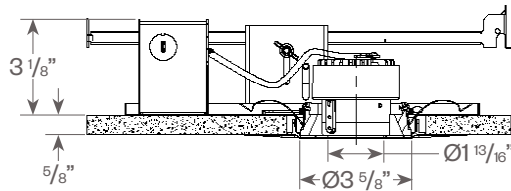
**Adjustable**



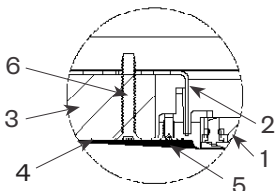
**Lens Wall Wash**



**Pinhole Downlight**

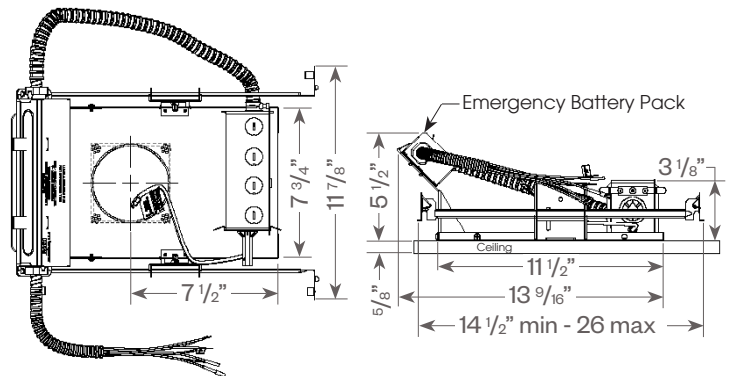


**Plaster Frame Installation Detail**  
(for trimless fixture only)



1. Reflector Trim
2. Aperture plate
3. Ceiling 5/8"
4. Cast Aluminum Plaster Frame
5. Plaster Skim Coat (by others)
6. 6-32 Type F Thread Cutting Screw

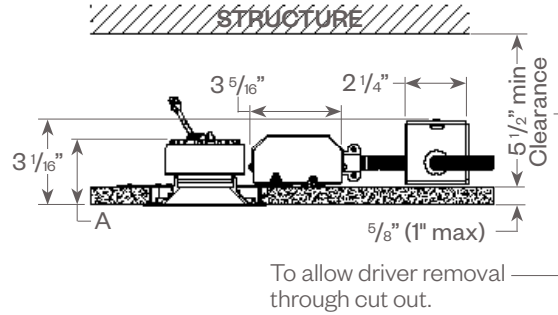
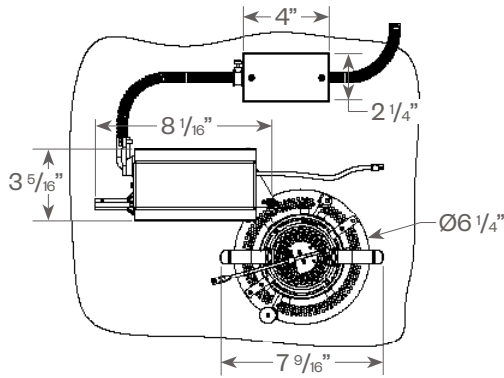
**Frame with Emergency Battery Pack**



**PROJECT:**

**TYPE:**

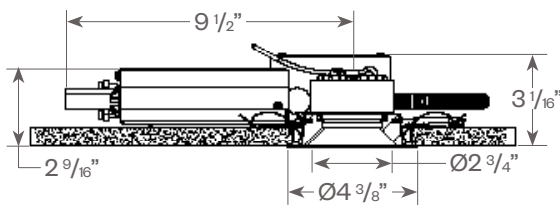
**Essenza Round Remodeler:**



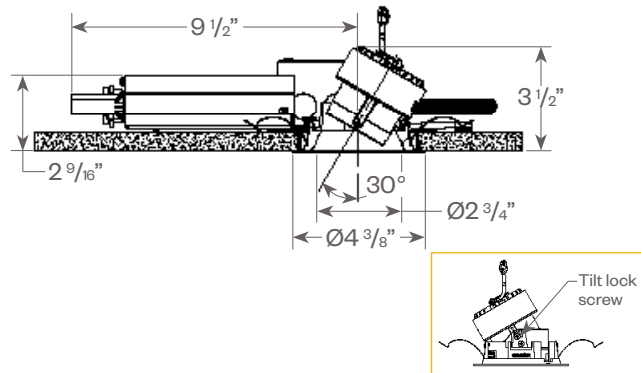
Product	A
EZ-RD-REM	2 3/8"
EZ-RA-REM	3 3/16"
EZ-RLW-REM	3 5/16"
EZ-RSHW-REM	2 3/8"
EZ-RPD-REM	2 1/2"

**Ceiling cut out: 4" dia.**

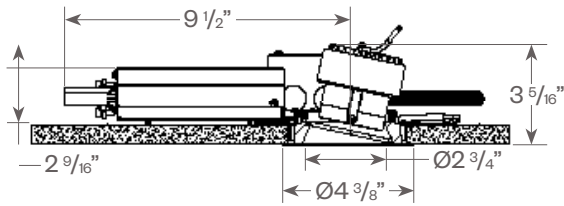
**Downlight**



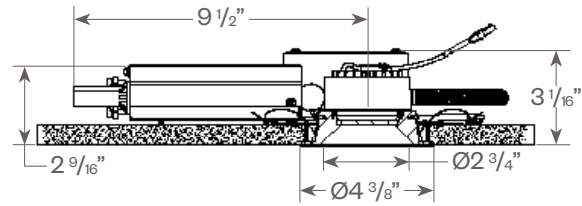
**Adjustable**



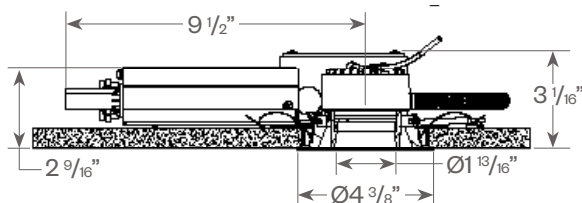
**Lens Wall Wash**



**Shower**



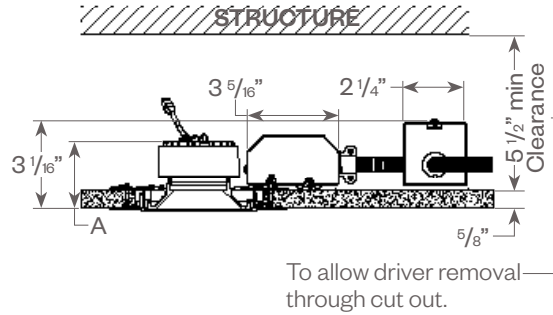
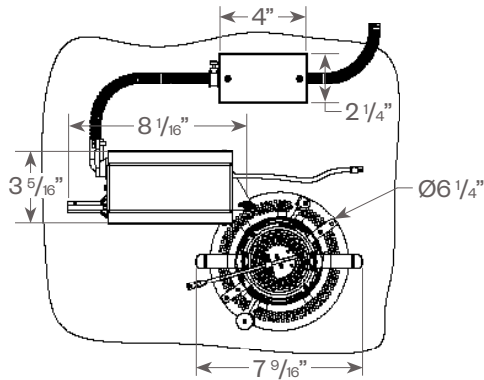
**Pinhole Downlight**



**PROJECT:**

**TYPE:**

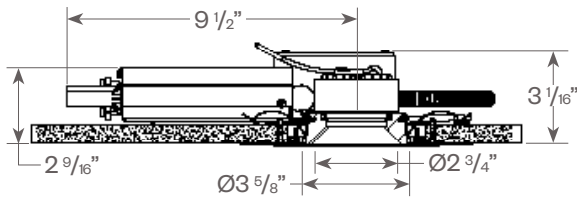
**Essenza Round Remodeler Trimless:**



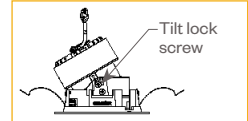
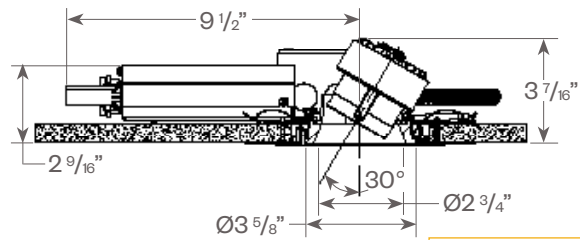
Product	A
EZ-RD-REM-TL	2 5/16"
EZ-RA-REM-TL	3 1/8"
EZ-RLW-REM-TL	3 1/4"
EZ-RPD-REM-TL	2 7/16"

Trimless Ceiling cut out: 4 1/2" dia.

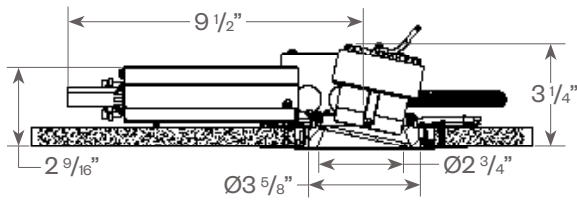
**Downlight**



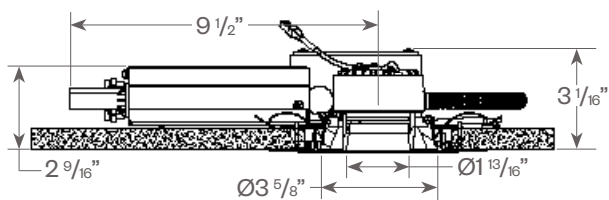
**Adjustable**



**Lens Wall Wash**

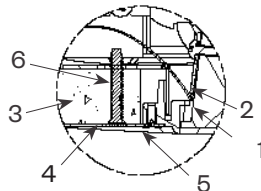


**Pinhole Downlight**



**Plaster Frame Installation Detail** (for trimless fixture only)

1. Reflector Trim
2. Aperture plate
3. Ceiling 5/8"
4. Cast Aluminum Plaster Frame
5. Plaster Skim Coat (by others)
6. 6-32 Type F Thread Cutting Screw



**PROJECT:**

**TYPE:**

**Essenza Round Downlight:**

**FIXTURE DATA:** (Complete photometric data (.ies format) available upon request)

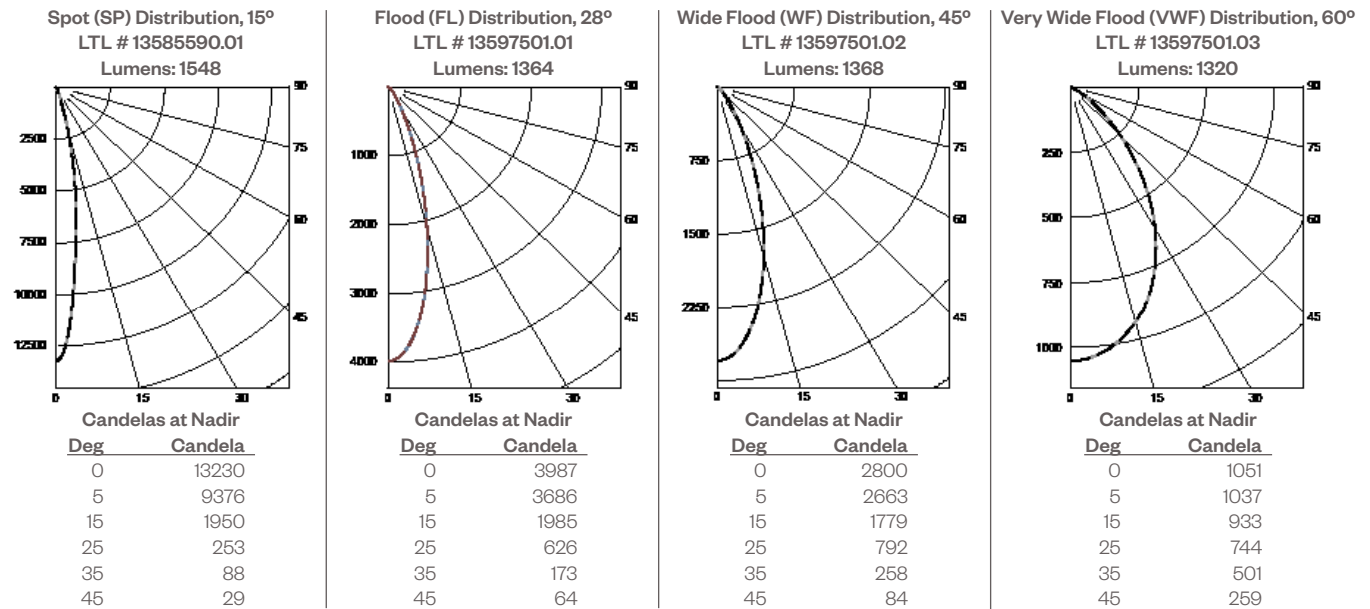
For updated performance issues prior to new IES file publication use the following multipliers on data below.

<b>Wattage:</b>	<b>12W</b>	<b>18W</b>
Factor:	0.83	1.0

<b>CCT:</b>	<b>2700K-83</b>	<b>3000K-83</b>	<b>3500K-83</b>	<b>4000K-83</b>
Factor:	0.96	1.0	1.02	1.04

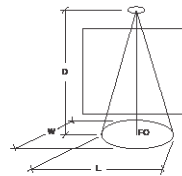
<b>CCT:</b>	<b>2200K-90+</b>	<b>2700K-90+</b>	<b>3000K-90+</b>	<b>3500K-90+</b>	<b>4000K-90+</b>	<b>CRISP</b>	<b>3CLA</b>
Factor:	0.71	0.80	0.83	0.87	0.90	0.65	0.75

**18W LED, 3000K-83**



**Application Data:**

		0° Aiming Angle Horizontal Footcandles			
		D	FC	L	W
Spot	5.0'	530	1.4	1.4	
	7.5'	236	2.0	2.0	
	10.0'	133	2.8	2.8	
	12.5'	85	3.5	3.5	
Flood	5.0'	160	2.6	2.6	
	7.5'	71	3.7	3.7	
	10.0'	40	5.0	5.0	
	12.5'	26	6.3	6.3	
Wide Flood	5.0'	112	3.0	3.0	
	7.5'	50	4.6	4.6	
	10.0'	28	6.0	6.0	
	12.5'	18	7.6	7.6	
Very Wide Flood	5.0'	42	5.0	5.0	
	7.5'	19	7.4	7.4	
	10.0'	11	9.9	9.9	
	12.5'	7	12.8	12.8	



**Notes and Definitions:**

- Beam spread is to 50% center beam candlepower (CBCP).
- D=Distance to floor or wall.
- FC=Footcandles on floor or wall at center beam aiming location.
- L=Effective Visual Beam length in feet (50% of maximum footcandle level).
- W=Effective Visual Beam width in feet (50% of maximum footcandle level).
- CB=Distance across or down to center beam location.



**PROJECT:**

**TYPE:**

**Essenza Round Adjustable:**

**FIXTURE DATA:** (Complete photometric data (.ies format) available upon request)

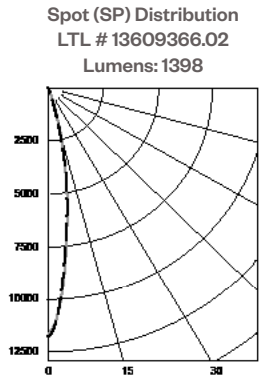
**MULTIPLYING FACTORS:** (Multiplying Factor is based on 3000K-83, 120V IES file on website)

<b>Wattage:</b>	<b>12W</b>	<b>18W</b>
Factor:	0.83	1.0

<b>CCT:</b>	<b>2700K-83</b>	<b>3000K-83</b>	<b>3500K-83</b>	<b>4000K-83</b>
Factor:	0.96	1.0	1.02	1.04

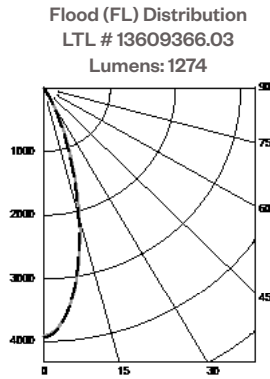
<b>CCT:</b>	<b>2200K-90+</b>	<b>2700K-90+</b>	<b>3000K-90+</b>	<b>3500K-90+</b>	<b>4000K-90+</b>	<b>CRISP</b>	<b>3CLA</b>
Factor:	0.71	0.80	0.83	0.87	0.90	0.65	0.75

**18W LED, 3000K-83**



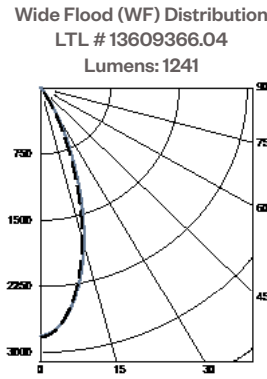
**Candelas at Nadir**

Deg	Candela
0	11760
5	8578
15	1983
25	228
35	22
45	11



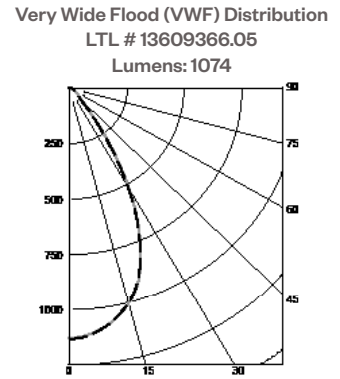
**Candelas at Nadir**

Deg	Candela
0	3935
5	3628
15	2024
25	599
35	88
45	26



**Candelas at Nadir**

Deg	Candela
0	2823
5	2680
15	1830
25	742
35	135
45	31



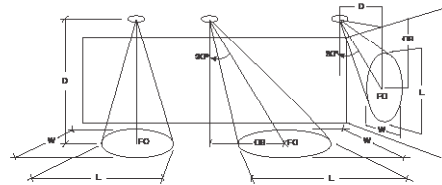
**Candelas at Nadir**

Deg	Candela
0	1131
5	1112
15	998
25	708
35	283
45	68

**Application Data:**

**30° Aiming Angle Horizontal Footcandles**

	D	FC	L	W
<b>Spot</b>	5.0'	471	1.5	1.5
	7.5'	210	2.2	2.1
	10.0'	118	3.0	2.9
	12.5'	76	3.6	3.6
<b>Flood</b>	5.0'	158	2.6	2.6
	7.5'	70	3.8	3.7
	10.0'	40	5.1	5.0
	12.5'	25	6.4	6.2
<b>Wide Flood</b>	5.0'	113	3.1	3.0
	7.5'	51	4.6	4.4
	10.0'	29	6.1	5.9
	12.5'	18	7.6	7.4
<b>Very Wide Flood</b>	5.0'	46	4.5	4.5
	7.5'	20	6.8	6.7
	10.0'	12	9.1	9.0
	12.5'	8	11.4	11.3



**Notes and Definitions:**

Beam spread is to 50% center beam candlepower (CBCP).

**D**=Distance to floor or wall.

**FC**=Footcandles on floor or wall at center beam aiming location.

**L**=Effective Visual Beam length in feet (50% of maximum footcandle level).

**W**=Effective Visual Beam width in feet (50% of maximum footcandle level).

**CB**=Distance across or down to center beam location.

**PROJECT:**

**TYPE:**

**Essenza Round Lens Wall Wash:**

**FIXTURE DATA:** (Complete photometric data (.ies format) available upon request)

**MULTIPLYING FACTORS:** (Multiplying Factor is based on 3000K-90+ 120V IES file on website)

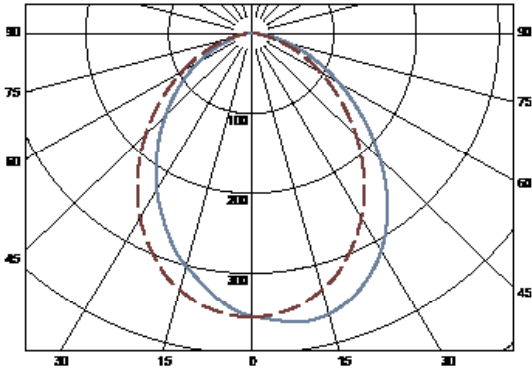
Wattage:	12W	18W
Factor:	0.83	1.0

CCT:	2700K-83	3000K-83	3500K-83	4000K-83
Factor:	0.96	1.0	1.02	1.04

CCT:	2200K-90+	2700K-90+	3000K-90+	3500K-90+	4000K-90+	CRISP	3CLA
Factor:	0.71	0.80	0.83	0.87	0.90	0.65	0.75

**18W LED, 3000K-83**

Lens Wall Wash (RLW) Distribution  
 LTL #13609366.06  
 Lumens: 787



**ZONAL LUMEN SUMMARY**

Zone	Lumens	%Fixt
0-40	413	52.5
0-60	666	84.6
0-90	787	100.0
90-180	0	0.0

**Luminaire Efficacy: 43.0 lumens/watt**

**Application Data:**

Footcandles are average and rounded off.  
 Data for multiple units are based on a minimum of five units.

**Footcandles on Wall**

1.5 Feet From Wall

Distance from ceiling	1.5' Spacing				
	0.5'	1.5'	2.5'	3.5'	4.5'
0.5'	35	36	39	36	35
1.5'	62	65	67	65	62
2.5'	42	46	47	46	42
3.5'	26	28	29	28	26
4.5'	17	18	19	18	17
5.5'	11	12	13	12	11
6.5'	8	9	9	9	8
7.5'	6	7	7	7	6

1.5 Feet From Wall

Distance from ceiling	2' Spacing						
	0.5'	1.5'	2.5'	3.5'	4.5'	5.5'	6.5'
0.5'	25	32	25	33	25	32	25
1.5'	46	53	49	53	49	53	47
2.5'	33	36	36	37	36	36	33
3.5'	21	22	23	24	23	23	21
4.5'	14	15	15	16	15	15	14
5.5'	10	10	11	11	11	10	10
6.5'	7	8	8	8	8	8	7
7.5'	6	6	6	6	6	6	6

2 Feet From Wall

Distance from ceiling	2' Spacing					
	0.5'	1.5'	2.5'	3.5'	4.5'	5.5'
0.5'	15	17	17	17	17	16
1.5'	31	34	34	35	34	32
2.5'	31	33	34	34	33	31
3.5'	23	24	25	26	25	23
4.5'	16	17	18	18	18	16
5.5'	11	12	13	13	13	12
6.5'	9	9	10	10	10	9
7.5'	7	7	8	8	8	7

**PROJECT:**

**TYPE:**

**Essenza Round Shower:**

**FIXTURE DATA:** (Complete photometric data (.ies format) available upon request)

**MULTIPLYING FACTORS:** (Multiplying Factor is based on 3000K-97 120V IES file on website)

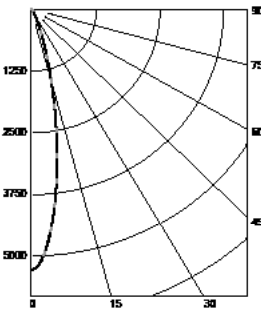
Wattage:	12W	18W
Factor:	0.83	1.0

CCT:	2700K-83	3000K-83	3500K-83	4000K-83
Factor:	1.16	1.20	1.23	1.25

CCT:	2200K-90+	2700K-90+	3000K-90+	3500K-90+	4000K-90+	CRISP	3CLA
Factor:	0.85	0.96	1.0	1.05	1.08	0.79	0.90

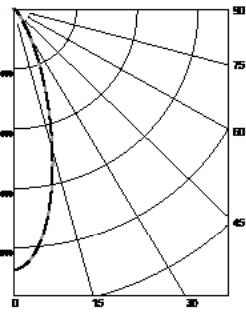
**18W LED, 3000K-90+**

Spot (SP) Distribution, 15°  
LTL #1163278  
Lumens: 964



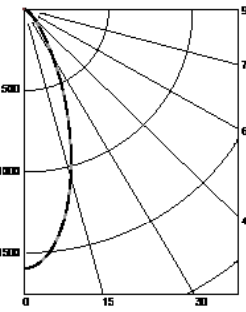
Candelas at Nadir	
Deg	Candela
0	5276
5	4386
15	1351
25	250
35	77
45	32

Flood (FL) Distribution, 28°  
LTL # 1163279  
Lumens: 907



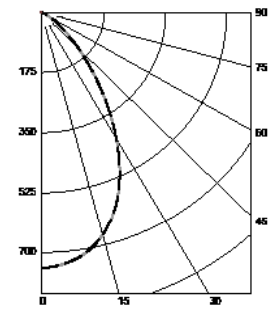
Candelas at Nadir	
Deg	Candela
0	2186
5	2043
15	1209
25	465
35	152
45	59

Wide Flood (WF) Distribution, 45°  
LTL # 1163280  
Lumens: 900



Candelas at Nadir	
Deg	Candela
0	1594
5	1522
15	1057
25	524
35	204
45	78

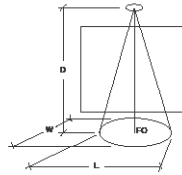
Very Wide Flood (VWF) Distribution, 60°  
LTL # 1163281  
Lumens: 876



Candelas at Nadir	
Deg	Candela
0	745
5	736
15	670
25	524
35	320
45	148

**Application Data:**

	0° Aiming Angle Horizontal Footcandles			
	D	FC	L	W
Spot	5.0'	211	1.7	1.7
	7.5'	94	2.7	2.7
	10.0'	53	3.5	3.5
	12.5'	34	4.4	4.4
Flood	5.0'	99	2.6	2.6
	7.5'	42	3.8	3.8
	10.0'	23	5.2	5.2
	12.5'	15	6.6	6.6
Wide Flood	5.0'	64	3.2	3.2
	7.5'	29	4.8	4.8
	10.0'	16	6.4	6.4
	12.5'	10	7.9	7.9
Very Wide Flood	5.0'	34	4.6	4.6
	7.5'	15	7.0	7.0
	10.0'	8	9.5	9.5
	12.5'	5	12.2	12.2



**Notes and Definitions:**

Beam spread is to 50% center beam candlepower (CBCP).

**D**=Distance to floor or wall.

**FC**=Footcandles on floor or wall at center beam aiming location.

**L**=Effective Visual Beam length in feet (50% of maximum footcandle level).

**W**=Effective Visual Beam width in feet (50% of maximum footcandle level).

**CB**=Distance across or down to center beam location.

**PROJECT:**

**TYPE:**

**Essenza Round Pinhole Downlight:**

**FIXTURE DATA:** (Complete photometric data (.ies format) available upon request)

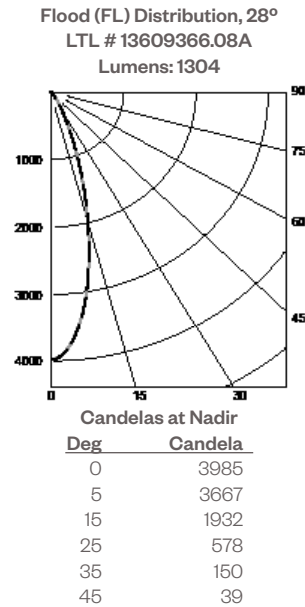
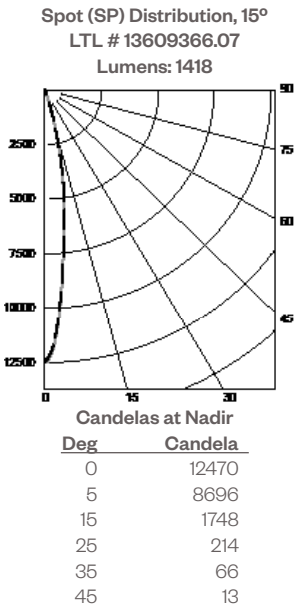
For updated performance issues prior to new IES file publication use the following multipliers on data below.

<b>Wattage:</b>	<b>12W</b>	<b>18W</b>
Factor:	0.83	1.0

<b>CCT:</b>	<b>2700K-83</b>	<b>3000K-83</b>	<b>3500K-83</b>	<b>4000K-83</b>
Factor:	0.96	1.0	1.02	1.04

<b>CCT:</b>	<b>2200K-90+</b>	<b>2700K-90+</b>	<b>3000K-90+</b>	<b>3500K-90+</b>	<b>4000K-90+</b>	<b>CRISP</b>	<b>3CLA</b>
Factor:	0.71	0.80	0.83	0.87	0.90	0.65	0.75

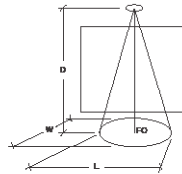
**18W LED, 3000K-83**



**Application Data:**

**0° Aiming Angle**  
**Horizontal**  
**Footcandles**

	0° Aiming Angle			
	D	FC	L	W
<b>Spot</b>	5.0'	499	1.4	1.4
	7.5'	222	2.0	2.0
	10.0'	125	2.8	2.8
	12.5'	80	3.5	3.5
<b>Flood</b>	5.0'	160	2.6	2.6
	7.5'	71	3.7	3.7
	10.0'	40	5.0	5.0
	12.5'	26	6.2	6.2



**Notes and Definitions:**

- Beam spread is to 50% center beam candlepower (CBCP).
- D**=Distance to floor or wall.
- FC**=Footcandles on floor or wall at center beam aiming location.
- L**=Effective Visual Beam length in feet (50% of maximum footcandle level).
- W**=Effective Visual Beam width in feet (50% of maximum footcandle level).
- CB**=Distance across or down to center beam location.

**PROJECT:**

**TYPE:**

**DIMMING COMPATIBILITY:**

Amerlux® Essenza fixtures are compatible with all major dimming protocols prevalent in the United States. Please see below for general compatibilities and wiring diagrams. Amerlux recommends testing your unique dimming configuration as the exact full configuration (Dimmer, Fixture Quantity, Voltage, etc) may affect dimming performance.

**--- NOTE: INFORMATION BELOW IS FOR WIRED DIMMERS ONLY. FOR WIRELESS DIMMERS, CONSULT FACTORY ---**

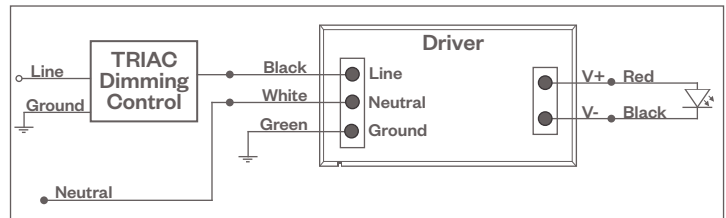
**TRIAC (Forward Phase) DIMMING (Standard)**

Utilizes standard TRIAC dimmers that are in wide use in installations across the US. Best for retrofit applications where TRIAC dimmers are installed.

**Notes:**

- 120VAC or 277VAC\*
- Dims down to 5% light output (most cases)
- Consult Dimming manufacturer for installation instructions - DO NOT SHARE NEUTRALS!
- Must meet dimmer Minimum Load Requirements per dimming manufacturer

**TRIAC Wiring Diagram**



**Compatible Dimmers\*:**

Wall Box (TRIAC 120VAC)	Central System
Lutron "Diva"	Lutron "GP" Panel
Lutron "Nova-T"	Lutron Grafik Eye QS
Lutron "Maestro"	
Lutron "Skylark"	

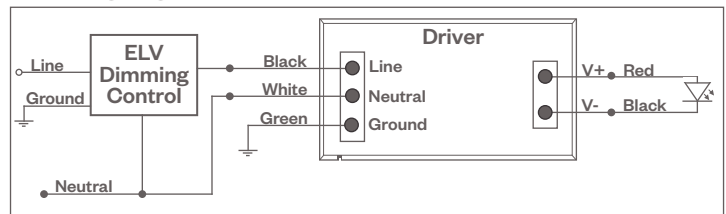
**ELV - Electronic Low Voltage (Reverse Phase) DIMMING (Standard)**

Utilizes specialized "ELV" dimmers.

**Notes:**

- 120VAC or 277VAC\*
- Dims down to 5% light output (most cases)
- Consult Dimming manufacturer for installation instructions - DO NOT SHARE NEUTRALS!
- Must meet dimmer Minimum Load Requirements

**ELV Wiring Diagram**



**Compatible Dimmers\*:**

Wall Box (ELV 120VAC)	Wall Box (ELV 277VAC)	Central System
Lutron "Diva"	Leviton Revoir II AWSMT-E	Lutron "GP" Panel with PHPM-PA 120/277VAC
Lutron "Nova-T"		Lutron Grafik Eye QS with PHPM-PA 120/277VAC
Lutron "Maestro"		
Lutron "Skylark"		
Leviton "Surslide"		
Leviton "Vizio"		

**Notes:**

- \* Driver is 277VAC dimmable with appropriate dimmer (by others). All provided wiring diagrams show 120VAC wiring colors and method. Please refer to 277VAC dimmer manufacturer installation instructions for 277VAC wiring diagrams.
- † The absence of a dimmer from the lists above does not imply incompatibility. Please consult factory for compatibility inquiries.

**PROJECT:**

**TYPE:**

**DIMMING COMPATIBILITY:**

Amerlux® Essenza fixtures are compatible with all major dimming protocols prevalent in the United States. Please see below for general compatibilities and wiring diagrams. Amerlux recommends testing your unique dimming configuration as the exact full configuration (Dimmer, Fixture Quantity, Voltage, etc) may affect dimming performance.

**--- NOTE: INFORMATION BELOW IS FOR WIRED DIMMERS ONLY. FOR WIRELESS DIMMERS, CONSULT FACTORY ---**

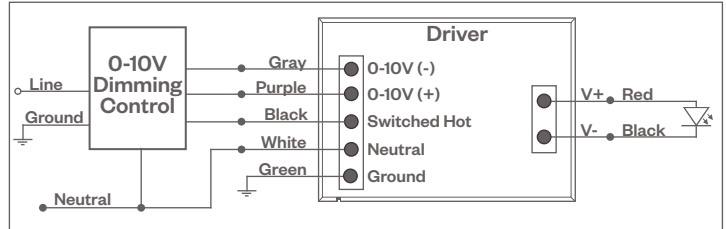
**0-10V DIMMING**

Integrates into a variety of building management and daylighting controls

**Notes:**

- 120VAC or 277VAC\*
- Dims down to 1% light output
- Requires interface to turn off power to driver
- Consult Dimming manufacturer for installation instructions - DO NOT SHARE NEUTRALS!

**0-10V Wiring Diagram**



**Compatible Dimmers\*:**

**Wall Box**

Lutron "Diva" - DVSTV | Leviton Renoir II 0-10V

**Central System**

Lutron Grafik Eye with GRX-TV1 Interface

**LUTRON LDE1 DIMMING**

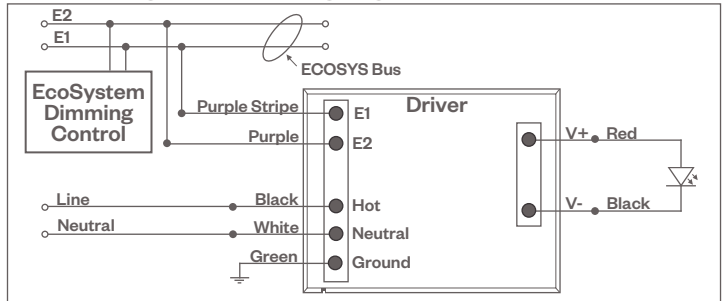
Integrates into Lutron EcoSystem building management

**Notes:**

- 120VAC or 277VAC\*
- Dims down to 1% Soft-On/Fade-to-Black
- EcoSystem Control
- Consult Dimming manufacturer for installation instructions - DO NOT SHARE NEUTRALS!

**Lutron LDE1 (HILUME-H-ECO)**

**EcoSystem Digital Control Wiring Diagram**



**Compatible Dimmers\*:**

**Lutron ECO System**

Pow Pak Dimming Modules  
Energj Savr Node  
Grafik Eye QS/Homeworks  
QS Control Unit  
Quantum Hub  
Homeworks QS/My Room

**Central System**

Lutron EcoSystem compatible controls

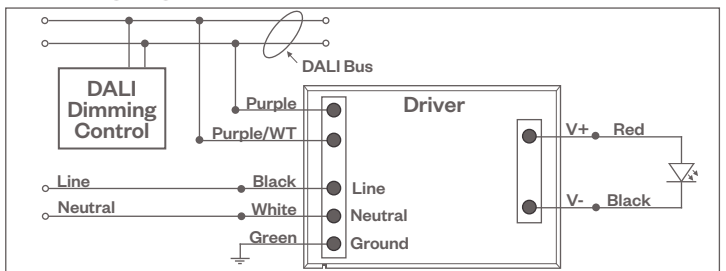
**DALI DIMMING**

Digital control protocol allows individual fixture control

**Notes:**

- 120VAC - 277VAC\*
- Dims down to 1% light output in most cases

**DALI Wiring Diagram**



**Compatible Dimmers\*:**

**Wall Box (3-Wire Fluorescent)**

Leviton CD250 Controller

**Central System**

Dynalite  
Fifth Light

**Notes:**

- \* Driver is 277VAC dimmable with appropriate dimmer (by others). All provided wiring diagrams show 120VAC wiring colors and method. Please refer to 277VAC dimmer manufacturer installation instructions for 277VAC wiring diagrams.
- † The absence of a dimmer from the lists above does not imply incompatibility. Please consult factory for compatibility inquiries.