

# Essenza®

## Round Downlights

### Dim-To-Warm



Downlight



Adjustable

### Features

Add ambiance to any hospitality, residential, retail or commercial space. Amerlux Essenza Downlight Dim-To-Warm option offers a lower kelvin temperature as you dim the lights. An adaptable light source in a cost-effective, solid state lighting package. The Dim-To-Warm option can tap into the powerful mediums of light and color to enhance the experience, well-being, and human emotion. Amerlux Dim-To-Warm allows designers to simulate the familiar glow and dimming of incandescent lamps.

### Product Overview

|               |  |
|---------------|--|
| Type:         | Recessed Round Downlight, Accent, Wall Wash  |
| Wattage:      | 12W (IC/AT), 15W   |
| Lumen Output: | 866 lm max (EZRD trim, 15W, Spot optic)  |
| Color Temp:   | 3000K to 1800K   |
| CRI:          | 95 typ.  |
| Dimming:      | TRIAC & ELV (120/277VAC) - 5% Dim<br>Lutron Hi-lume® H Series/EcoSystem - 1% dim with soft on, fade to black, 120/277VAC<br>0-10V (120/277VAC) - 1% Dim<br>DALI dimming - 1% Dim |

### PROJECT:

### TYPE:



Lens Wall Wash



Shower



Pinhole Downlight

### Fixture Type

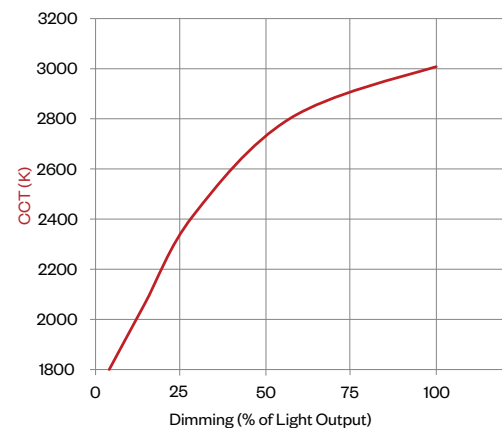
| New Construction | Remodeler | Trim | Trimless |
|------------------|-----------|------|----------|
| Yes              | Yes       | Yes  | Yes      |

### Electrical Data

|      | 12W (IC/AT)  |      | 15W*         |      |
|------|--------------|------|--------------|------|
|      | System Watts | Amps | System Watts | Amps |
| 120V | 12           | 0.10 | 15           | 0.13 |
| 277V | 12           | 0.04 | 16           | 0.06 |

Electronic constant current LED driver  
\*Includes 2W thermal protector

### Dim-To-Warm CCT Curve



**PROJECT:**

**TYPE:**

**Housing/Frame Ordering Information**

| 1  | 2   | 3  | 4   | 5   | 6  |
|--|---|--|---|---|--|
| <p><b>1</b> <u>Model</u><br/>For New Construction<br/><b>EZ-NC-DTW-A17<sup>†</sup></b> (New Construction)<br/><b>EZ-CP-DTW-A17<sup>†</sup></b> (Chicago Plenum (CCEA) housing)<br/><b>EZ-IC-DTW-A17<sup>†</sup></b> (Insulated Ceiling/air tight housing, 12W only)</p> <p>For Existing Ceilings<br/><b>EZ-REM-DTW-A17<sup>†</sup></b></p> | <p><b>2</b> <u>Style</u><br/>T - trimmed<br/>RTL - round trimless</p> | <p><b>3</b> <u>Wattage</u><br/>12 (IC/AT)<br/>15 (not available for use with IC housing)</p> | <p><b>4</b> <u>Voltage</u><br/>120<br/>277<br/>120/277 (for use with IC housing only)</p> | <p><b>5</b> <u>Driver</u><br/>LE/TE - TRIAC/ELV dimming<br/><b>HILUME-H-ECO</b> - Lutron Hi-lume® H Series, EcoSystem, 1% dim with soft on, fade to black<br/>0-10V - 0-10V dimming, 1% dim<br/>DALI - DALI dimming, 1% dim</p> | <p><b>6</b> <u>Options/Accessories</u><br/>EM - integral emergency battery pack with remote test switch, requires 7" ceiling clearance (not available for use with REM, CP or IC option)</p> |

**Trim Ordering Information**

| 1   | 2   | 3  | 4  | 5   |
|---|---|--|--|---|
| <p><b>1</b> <u>Model</u><br/><b>EZRD-DTW-A17<sup>†</sup></b> (downlight)<br/><b>EZRA-DTW-A17<sup>†</sup></b> (adjustable)<br/><b>EZRLW-DTW-A17<sup>†</sup></b> (wall wash)<br/><b>EZRSHW-DTW-A17<sup>†</sup></b> (shower, not available for use in trimless)<br/><b>EZRPD-DTW-A17<sup>†</sup></b> (pinhole downlight)</p> | <p><b>2</b> <u>Style</u><br/>T - trimmed<br/>TL - trimless (not available for Shower (EZRSHW) trim)</p> | <p><b>3</b> <u>Finish</u><br/>RD/RA/RLW/RSHW Trims:<br/><u>Trimmed</u><br/><b>MWW</b> - matte white, white flange<br/><u>Trimless</u><br/><b>MW</b> - matte white</p> <p><u>RPD Trim (Trimmed &amp; Trimless):</u><br/><b>MW</b> - matte white</p> | <p><b>4</b> <u>Beam Spreads</u> (not for use with EZRLW trim)<br/><b>VNF</b> - very narrow flood, 18°<br/><b>FL</b> - flood, 35°<br/><b>WF*</b> - wide flood, 45°<br/><b>VWF*</b> - very wide flood, 50°<br/>* Not available for use with EZRPD trim</p> | <p><b>5</b> <u>Color Temp</u><br/>95 CRI<br/>309 - 3000K-95</p> |

† The "A" refers to the sequential revision in a year and "XX" refers to the year of update. Updates coincide with improved performance while not changing the overall fixture aesthetic and are reflected in the published performance data. Please contact your Amerlux representative for explanations of changes.

## PROJECT:

## TYPE:

### Specifications

#### Application

Hospitality, retail and commercial ambient, accent and wall wash lighting

#### Construction

20 ga. galvanized steel frame  
18 ga. galvanized steel splice housing and hanger brackets (not for use with Remodeler version)  
Cast aluminum plaster frame with perforated face (for trimless version only)  
Die-cast optical housing, trim and heatsink

#### Optical

Beam spreads (for RD, RA, RSHW & RPD fixtures):

Very Narrow Flood, 18°; Flood, 35°; Wide Flood, 45°;  
Very Wide Flood, 50°

Tilt (for RA fixture): 0-30° tilt lock, 355° rotation

Lens:

RLW fixture: Engineered nano technology lens provides high transmission while concealing LED image

Shower fixture: Siliconed solite lens

#### LED

Color Temp Options:

3000K dims to 1800K (12W fixtures start at 2900K)

CRI: 95 typ. ( $\pm 3$  across dimming range)

R9 Values: 85 (95 CRI)

Binning: 3 MacAdam (SDCM)

Life: 50,000+ hrs, > 70% of initial lumens at 50,000 hrs

#### Electrical

Wattage: 12 (IC/AT), 15

Electronic constant current LED driver, 120/277VAC input

**This product complies with IEEE C62.41 for surge endurance up to 2.5KV. Amerlux® recommends using additional surge protection with this unit (supplied by others), surge and over voltage damage is not covered under warranty.**

**Note:** Drivers are universal input voltage but thermal protector is voltage specific

#### Drivers

LE/TE - Leading Edge, TRIAC, forward phase/Trailing Edge, ELV, reverse phase

0-10V and Lutron systems also available

See pages 6-9 for more dimming information

#### Finish

Powder coat paint

Consult factory for custom finishes

#### Mounting

##### Trimmed

For use in T-grid or sheetrock ceilings, max thickness 1"

##### Trimless

For use in sheetrock ceilings, max thickness 5/8"

#### Certifications

CSA listed to UL standards

Damp location

IC/AT (insulated ceiling/air tight) rated, 12W only, optional

Chicago Plenum (CCEA) optional

JA10 compliant for Title 24 per UL Test 13005791.01A

(available upon request)

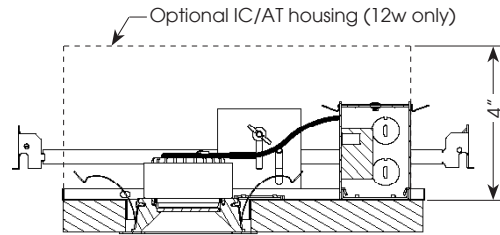
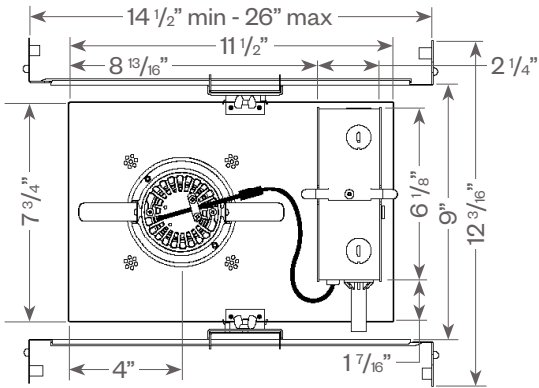
#### Warranty

3 year limited warranty

**PROJECT:**

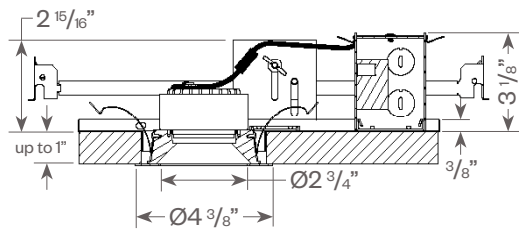
**TYPE:**

**Essenza Round Downlight:**

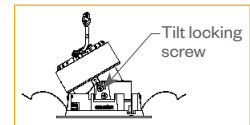
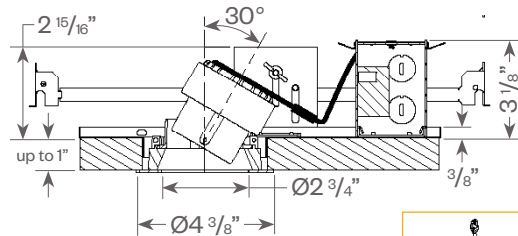


Ceiling cut out: 4" dia.

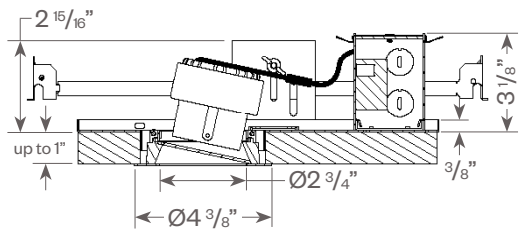
**Downlight**



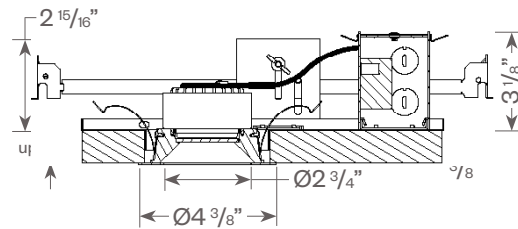
**Adjustable**



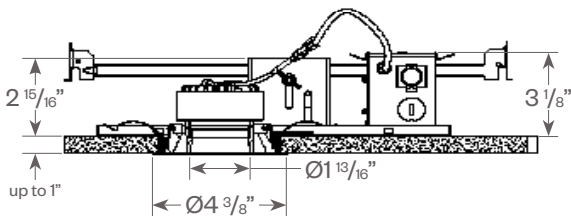
**Lens Wall Wash**



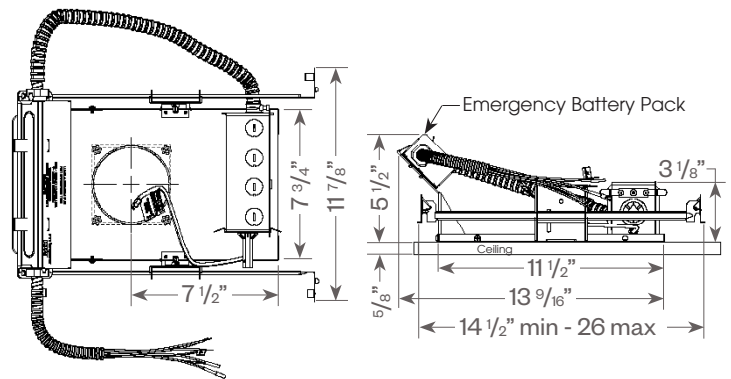
**Shower**



**Pinhole Downlight**



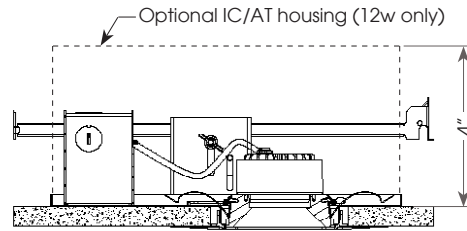
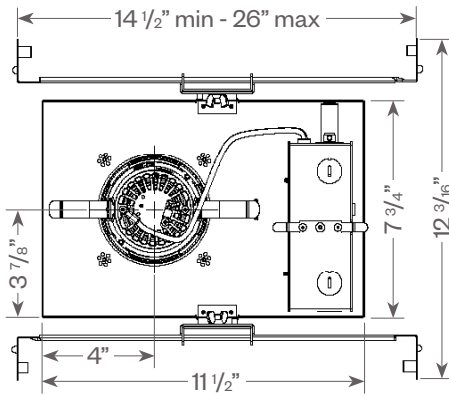
**Frame with Emergency Battery Pack**



**PROJECT:**

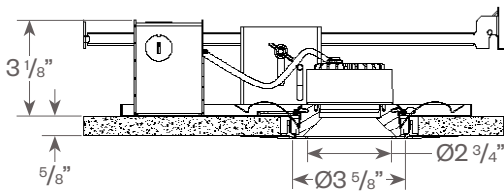
**TYPE:**

**Essenza Round Downlight Trimless:**

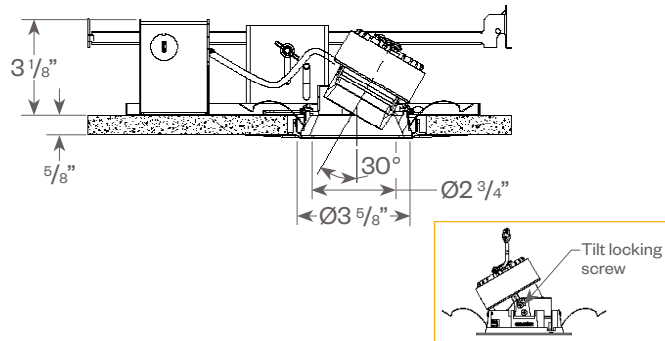


Trimless Ceiling cut out: 4 1/2" dia.

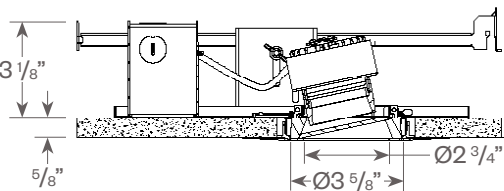
**Downlight**



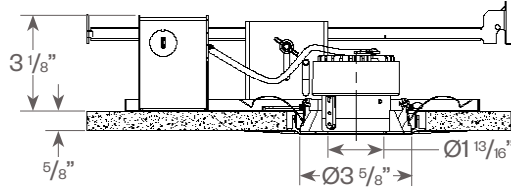
**Adjustable**



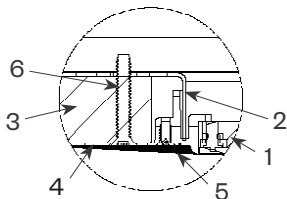
**Lens Wall Wash**



**Pinhole Downlight**

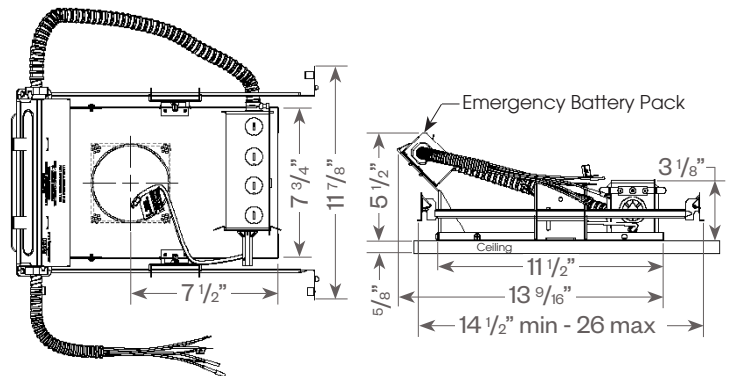


**Plaster Frame Installation Detail**  
(for trimless fixture only)



1. Reflector Trim
2. Aperture plate
3. Ceiling 5/8"
4. Cast Aluminum Plaster Frame
5. Plaster Skim Coat (by others)
6. 6-32 Type F Thread Cutting Screw

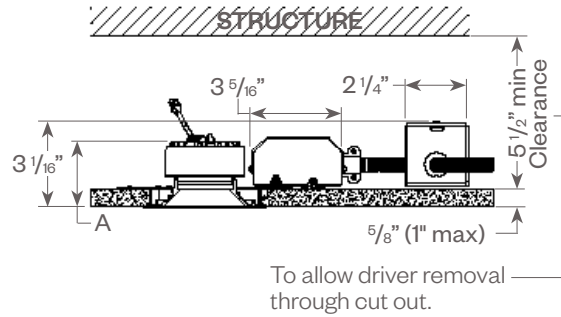
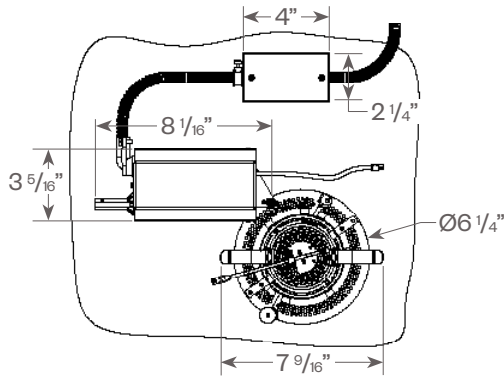
**Frame with Emergency Battery Pack**



**PROJECT:**

**TYPE:**

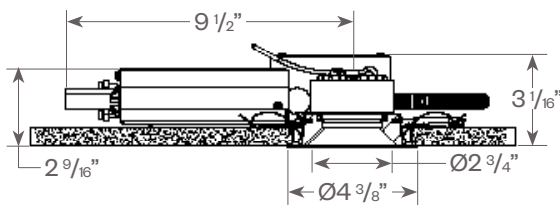
**Essenza Round Remodeler:**



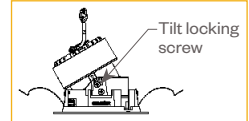
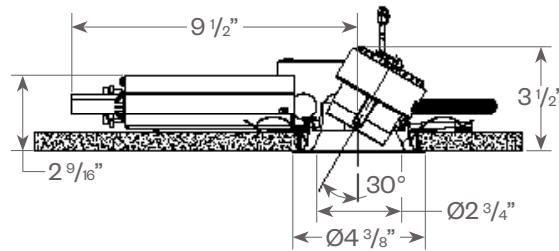
| Product     | A       |
|-------------|---------|
| EZ-RD-REM   | 2 3/8"  |
| EZ-RA-REM   | 3 3/16" |
| EZ-RLW-REM  | 3 5/16" |
| EZ-RSHW-REM | 2 3/8"  |
| EZ-RPD-REM  | 2 1/2"  |

**Ceiling cut out: 4" dia.**

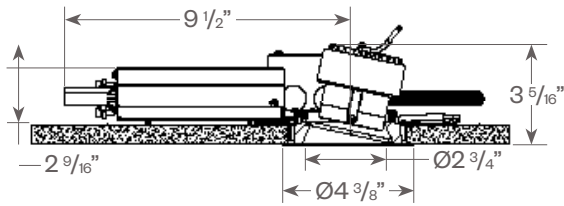
**Downlight**



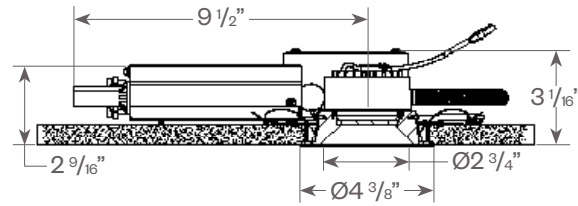
**Adjustable**



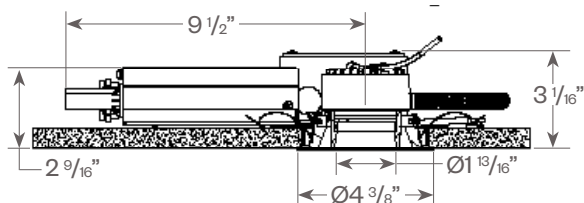
**Lens Wall Wash**



**Shower**



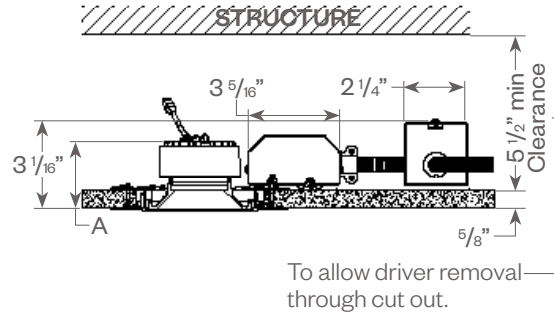
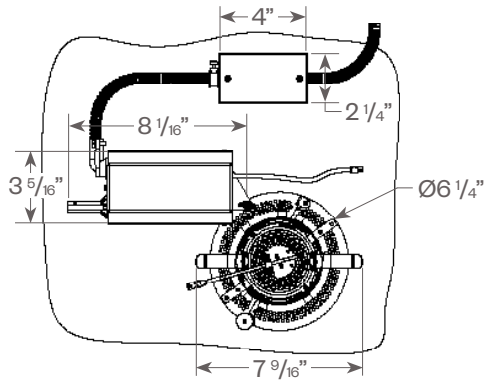
**Pinhole Downlight**



**PROJECT:**

**TYPE:**

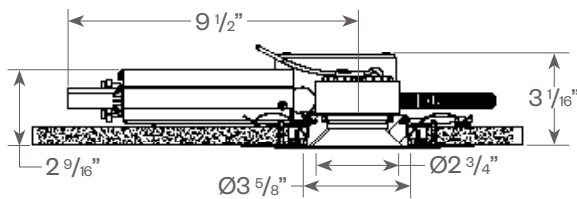
**Essenza Round Remodeler Trimless:**



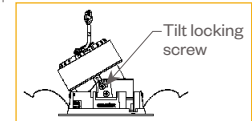
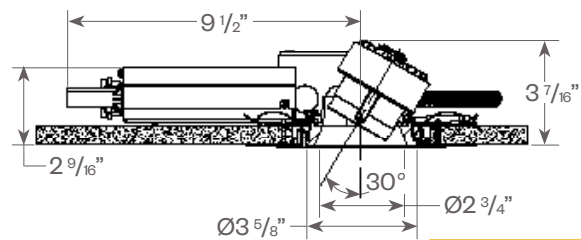
| Product       | A       |
|---------------|---------|
| EZ-RD-REM-TL  | 2 5/16" |
| EZ-RA-REM-TL  | 3 1/8"  |
| EZ-RLW-REM-TL | 3 1/4"  |
| EZ-RPD-REM-TL | 2 7/16" |

Trimless Ceiling cut out: 4 1/2" dia.

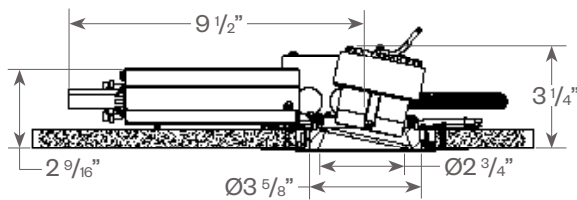
**Downlight**



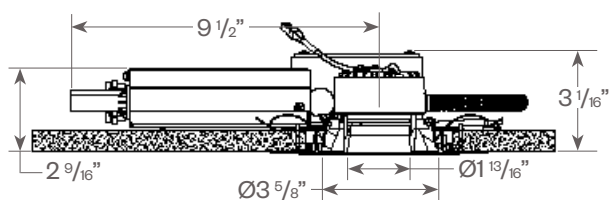
**Adjustable**



**Lens Wall Wash**

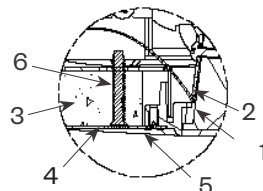


**Pinhole Downlight**



**Plaster Frame Installation Detail** (for trimless fixture only)

1. Reflector Trim
2. Aperture plate
3. Ceiling 5/8"
4. Cast Aluminum Plaster Frame
5. Plaster Skim Coat (by others)
6. 6-32 Type F Thread Cutting Screw



**PROJECT:**

**TYPE:**

**Essenza Round Downlight:**

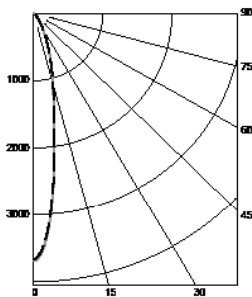
**FIXTURE DATA:** (Complete photometric data (.ies format) available upon request)

**MULTIPLYING FACTORS:** (Multiplying Factor is based on 3000K-95 120V IES file on website)

| Wattage: | 12W | 15W |
|----------|-----|-----|
| Factor:  | 0.8 | 1.0 |

**15W LED, 3000K-95**

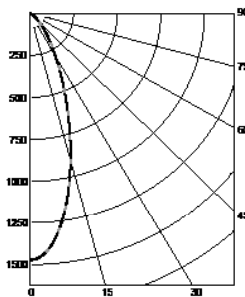
**Very Narrow Flood (VNF)**  
Distribution, 18°  
LTL # 11919582.01  
Lumens: 866



**Candelas at Nadir**

| Deg | Candela |
|-----|---------|
| 0   | 3674    |
| 5   | 2877    |
| 15  | 1011    |
| 25  | 392     |
| 35  | 143     |
| 45  | 40      |

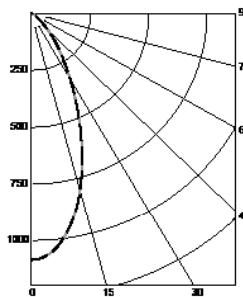
**Flood (FL)**  
Distribution, 35°  
LTL# 11919582.02  
Lumens: 796



**Candelas at Nadir**

| Deg | Candela |
|-----|---------|
| 0   | 1474    |
| 5   | 1392    |
| 15  | 900     |
| 25  | 434     |
| 35  | 192     |
| 45  | 72      |

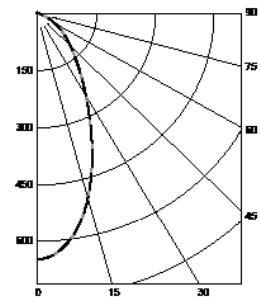
**Wide Flood (WF)**  
Distribution, 45°  
LTL # 11919582.03  
Lumens: 790



**Candelas at Nadir**

| Deg | Candela |
|-----|---------|
| 0   | 1086    |
| 5   | 1051    |
| 15  | 799     |
| 25  | 459     |
| 35  | 223     |
| 45  | 92      |

**Very Wide Flood (VWF)**  
Distribution, 50°  
LTL # 11919582.04  
Lumens: 663




**Candelas at Nadir**

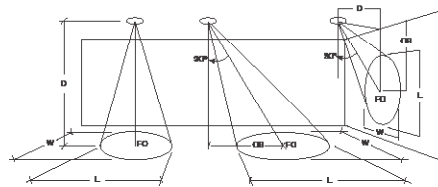
| Deg | Candela |
|-----|---------|
| 0   | 648     |
| 5   | 629     |
| 15  | 497     |
| 25  | 317     |
| 35  | 189     |
| 45  | 118     |

**Application Data:**

0° Aiming Angle  
Horizontal  
Footcandles



|                   | D     | FC  | L   | W   |
|-------------------|-------|-----|-----|-----|
| Very Narrow Flood | 5.0'  | 141 | 1.6 | 1.6 |
|                   | 7.5'  | 64  | 2.5 | 2.5 |
|                   | 10.0' | 36  | 3.3 | 3.3 |
|                   | 12.5' | 23  | 3.9 | 3.9 |
| Flood             | 5.0'  | 57  | 3.1 | 3.1 |
|                   | 7.5'  | 26  | 4.5 | 4.5 |
|                   | 10.0' | 15  | 5.9 | 5.9 |
|                   | 12.5' | 9   | 7.5 | 7.5 |
| Wide Flood        | 5.0'  | 42  | 3.6 | 3.6 |
|                   | 7.5'  | 19  | 5.4 | 5.4 |
|                   | 10.0' | 11  | 7.2 | 7.2 |
|                   | 12.5' | 7   | 9.0 | 9.0 |
| Very Wide Flood   | 5.0'  | 25  | 3.8 | 3.8 |
|                   | 7.5'  | 11  | 5.7 | 5.7 |
|                   | 10.0' | 7   | 7.7 | 7.7 |
|                   | 12.5' | 4   | 9.7 | 9.7 |



**Notes and Definitions:**

- Beam spread is to 50% center beam candlepower (OBCP).
- D=Distance to floor or wall.
- FC=Footcandles on floor or wall at center beam aiming location.
- L=Effective Visual Beam length in feet (50% of maximum footcandle level).
- W=Effective Visual Beam width in feet (50% of maximum footcandle level).
- CB=Distance across or down to center beam location.



**PROJECT:**

**TYPE:**

**Essenza Round Adjustable:**

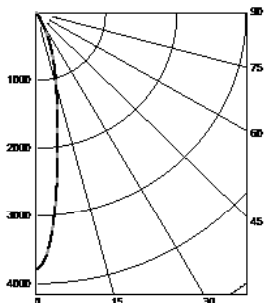
**FIXTURE DATA:** (Complete photometric data (.ies format) available upon request)

**MULTIPLYING FACTORS:** (Multiplying Factor is based on 3000K-95 120V IES file on website)

| Wattage: | 12W | 15W |
|----------|-----|-----|
| Factor:  | 0.8 | 1.0 |

**15W LED, 3000K-95**

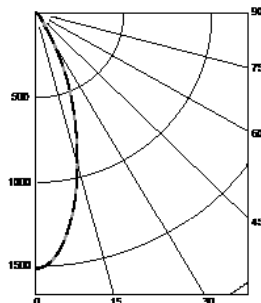
**Very Narrow Flood (VNF)**  
Distribution, 18°  
LTL # 11919582.05  
Lumens: 780



**Candelas at Nadir**

| Deg | Candela |
|-----|---------|
| 0   | 3781    |
| 5   | 2933    |
| 15  | 1042    |
| 25  | 335     |
| 35  | 61      |
| 45  | 33      |

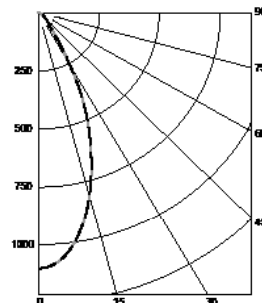
**Flood (FL)**  
Distribution, 35°  
LTL# 11919582.06  
Lumens: 699



**Candelas at Nadir**

| Deg | Candela |
|-----|---------|
| 0   | 1515    |
| 5   | 1430    |
| 15  | 919     |
| 25  | 405     |
| 35  | 91      |
| 45  | 41      |

**Wide Flood (WF)**  
Distribution, 45°  
LTL # 11919582.07  
Lumens: 679

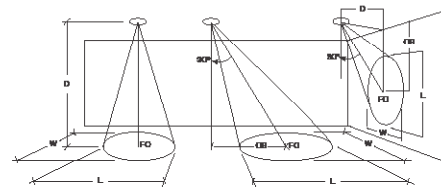


**Candelas at Nadir**

| Deg | Candela |
|-----|---------|
| 0   | 1103    |
| 5   | 1067    |
| 15  | 809     |
| 25  | 445     |
| 35  | 117     |
| 45  | 46      |

**Application Data:**

|                   | 0° Aiming Angle<br>Horizontal<br>Footcandles |     |     |     |
|-------------------|--|-----|-----|-----|
|                   | D  | FC  | L   | W   |
| Very Narrow Flood | 5.0'   | 145 | 1.6 | 1.6 |
|                   | 7.5'   | 66  | 2.5 | 2.5 |
|                   | 10.0'  | 37  | 3.3 | 3.3 |
|                   | 12.5'  | 24  | 3.9 | 3.9 |
| Flood             | 5.0'   | 58  | 3.1 | 3.1 |
|                   | 7.5'   | 26  | 4.5 | 4.5 |
|                   | 10.0'  | 15  | 5.9 | 5.9 |
|                   | 12.5'  | 10  | 7.4 | 7.4 |
| Wide Flood        | 5.0'   | 43  | 3.6 | 3.6 |
|                   | 7.5'   | 19  | 5.4 | 5.4 |
|                   | 10.0'  | 11  | 7.1 | 7.1 |
|                   | 12.5'  | 7   | 8.9 | 8.9 |



**Notes and Definitions:**

Beam spread is to 50% center beam candlepower (CBCP).

**D**=Distance to floor or wall.

**FC**=Footcandles on floor or wall at center beam aiming location.

**L**=Effective Visual Beam length in feet (50% of maximum footcandle level).

**W**=Effective Visual Beam width in feet (50% of maximum footcandle level).

**CB**=Distance across or down to center beam location.

**PROJECT:**

**TYPE:**

**Essenza Round Lens Wall Wash:**

**FIXTURE DATA:** (Complete photometric data (.ies format) available upon request)

**MULTIPLYING FACTORS:** (Multiplying Factor is based on 3000K-95 120V IES file on website)

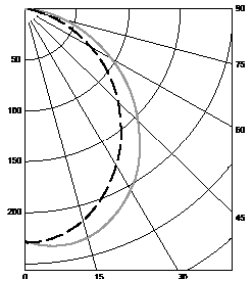
| Wattage: | 12W | 15W |
|----------|-----|-----|
| Factor:  | 0.8 | 1.0 |

**15W LED, 3000K-95**

Lens Wall Wash (RLW) Distribution

LTL #11919582.11

Lumens: 533



**ZONAL LUMEN SUMMARY**

| Zone   | Lumens | %Fixt |
|--------|--------|-------|
| 0-40   | 270    | 50.7  |
| 0-60   | 449    | 84.1  |
| 0-90   | 533    | 100.0 |
| 90-180 | 0      | 0.0   |


**Luminaire Efficacy: 38.3 lumens/watt**

**Application Data:**

Footcandles are average and rounded off.  
Data for multiple units are based on a minimum of five units.


**Footcandles on Wall**

1.5 Feet From Wall




| Distance from ceiling | 0.5' | 2.5' | 3.5' | 4.5' | 5.5' | 6.5' | 7.5' |
|-----------------------|------|------|------|------|------|------|------|
| 0.5'                  | 29   | 30   | 32   | 30   | 29   |      |      |
| 1.5'                  | 45   | 47   | 49   | 47   | 45   |      |      |
| 2.5'                  | 28   | 31   | 32   | 31   | 29   |      |      |
| 3.5'                  | 17   | 19   | 19   | 19   | 17   |      |      |
| 4.5'                  | 11   | 12   | 12   | 12   | 11   |      |      |
| 5.5'                  | 7    | 8    | 8    | 8    | 8    |      |      |
| 6.5'                  | 5    | 6    | 6    | 6    | 6    |      |      |
| 7.5'                  | 4    | 5    | 5    | 5    | 4    |      |      |

1.5 Feet From Wall



| Distance from ceiling | 0.5' | 1.5' | 2.5' | 3.5' | 4.5' | 5.5' | 6.5' | 7.5' |
|-----------------------|------|------|------|------|------|------|------|------|
| 0.5'                  | 20   | 27   | 21   | 27   | 21   | 27   | 20   |      |
| 1.5'                  | 34   | 38   | 36   | 38   | 36   | 38   | 34   |      |
| 2.5'                  | 23   | 24   | 25   | 25   | 25   | 24   | 23   |      |
| 3.5'                  | 14   | 15   | 16   | 16   | 16   | 15   | 14   |      |
| 4.5'                  | 9    | 10   | 10   | 10   | 10   | 10   | 9    |      |
| 5.5'                  | 6    | 7    | 7    | 7    | 7    | 7    | 6    |      |
| 6.5'                  | 5    | 5    | 5    | 5    | 5    | 5    | 5    |      |
| 7.5'                  | 4    | 4    | 4    | 4    | 4    | 4    | 4    |      |

2 Feet From Wall



| Distance from ceiling | 0.5' | 1.5' | 2.5' | 3.5' | 4.5' | 5.5' | 6.5' | 7.5' |
|-----------------------|------|------|------|------|------|------|------|------|
| 0.5'                  | 12   | 13   | 13   | 13   | 13   | 13   | 12   |      |
| 1.5'                  | 24   | 26   | 26   | 26   | 26   | 26   | 24   |      |
| 2.5'                  | 22   | 23   | 24   | 24   | 24   | 23   | 22   |      |
| 3.5'                  | 15   | 17   | 17   | 18   | 17   | 17   | 15   |      |
| 4.5'                  | 11   | 12   | 12   | 12   | 12   | 12   | 11   |      |
| 5.5'                  | 8    | 8    | 9    | 9    | 9    | 8    | 8    |      |
| 6.5'                  | 6    | 6    | 6    | 7    | 6    | 6    | 6    |      |
| 7.5'                  | 5    | 5    | 5    | 5    | 5    | 5    | 5    |      |

**PROJECT:**

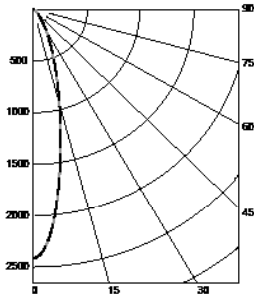
**TYPE:**

**Essenza Round Shower:**

**FIXTURE DATA:** (Complete photometric data (.ies format) available upon request)

**15W LED, 3000K-95**

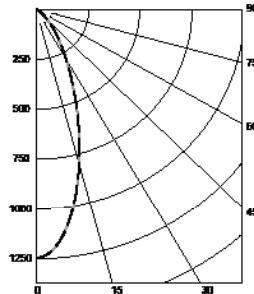
**Very Narrow Flood (VNF)**  
Distribution, 18°  
LTL # 11919582.08  
Lumens: 813



**Candelas at Nadir**

| Deg | Candela |
|-----|---------|
| 0   | 2413    |
| 5   | 2103    |
| 15  | 961     |
| 25  | 389     |
| 35  | 155     |
| 45  | 56      |

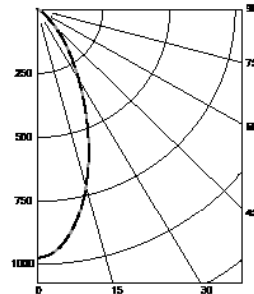
**Flood (FL)**  
Distribution, 35°  
LTL# 11919582.09  
Lumens: 748



**Candelas at Nadir**

| Deg | Candela |
|-----|---------|
| 0   | 1246    |
| 5   | 1181    |
| 15  | 796     |
| 25  | 412     |
| 35  | 194     |
| 45  | 79      |

**Wide Flood (WF)**  
Distribution, 45°  
LTL # 11919582.10  
Lumens: 742

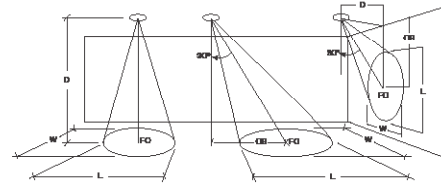


**Candelas at Nadir**

| Deg | Candela |
|-----|---------|
| 0   | 974     |
| 5   | 940     |
| 15  | 713     |
| 25  | 427     |
| 35  | 219     |
| 45  | 94      |

**Application Data:**

|                   |       | 0° Aiming Angle<br>Horizontal<br>Footcandles |     |     |   |
|-------------------|-------|--|-----|-----|---|
|                   |       | D  | FC  | L   | W |
| Very Narrow Flood | 5.0'  | 93   | 2.2 | 2.2 |   |
|                   | 7.5'  | 42   | 3.3 | 3.3 |   |
|                   | 10.0' | 24   | 4.2 | 4.2 |   |
|                   | 12.5' | 15   | 5.3 | 5.3 |   |
| Flood             | 5.0'  | 48   | 3.2 | 3.2 |   |
|                   | 7.5'  | 22   | 4.7 | 4.7 |   |
|                   | 10.0' | 12   | 6.2 | 6.2 |   |
|                   | 12.5' | 8  | 7.8 | 7.8 |   |
| Wide Flood        | 5.0'  | 38   | 3.6 | 3.6 |   |
|                   | 7.5'  | 17   | 5.4 | 5.4 |   |
|                   | 10.0' | 10   | 7.2 | 7.2 |   |
|                   | 12.5' | 6  | 9.1 | 9.1 |   |



**Notes and Definitions:**

Beam spread is to 50% center beam candlepower (CBCP).

**D**=Distance to floor or wall.

**FC**=Footcandles on floor or wall at center beam aiming location.

**L**=Effective Visual Beam length in feet (50% of maximum footcandle level).

**W**=Effective Visual Beam width in feet (50% of maximum footcandle level).

**CB**=Distance across or down to center beam location.

**PROJECT:**

**TYPE:**

**DIMMING COMPATIBILITY:**

Amerlux® Essenza fixtures are compatible with all major dimming protocols prevalent in the United States. Please see below for general compatibilities and wiring diagrams. Amerlux recommends testing your unique dimming configuration as the exact full configuration (Dimmer, Fixture Quantity, Voltage, etc) may affect dimming performance.

**--- NOTE: INFORMATION BELOW IS FOR WIRED DIMMERS ONLY. FOR WIRELESS DIMMERS, CONSULT FACTORY ---**

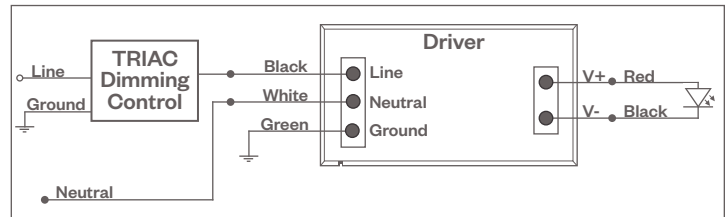
**TRIAC (Forward Phase) DIMMING (Standard)**

Utilizes “Standard” incandescent dimmers that are in wide use in installations across the US. Best for retrofit applications where TRIAC dimmers are installed.

**Notes:**

- 120VAC or 277VAC\*
- Dims down to less than 5% light output (most cases)
- Consult Dimming manufacturer for installation instructions - DO NOT SHARE NEUTRALS!
- Must meet dimmer Minimum Load Requirements per dimming manufacturer

**TRIAC Wiring Diagram**



**Compatible Dimmers†:**

| Wall Box (Incandescent Style, Wattage as required) |                  | Central System       |
|--|------------------|----------------------|
| Lutron “Diva”                                      | Lutron “Vareo”   | Lutron “GP” Panel    |
| Lutron “Nova-T”                                    | Lutron “Skylark” | Lutron Grafik Eye QS |
| Lutron “Maestro”                                   |                  |                      |

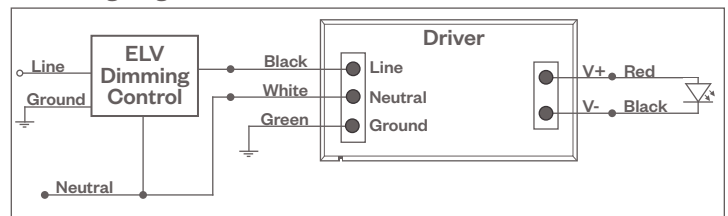
**ELV - Electronic Low Voltage (Reverse Phase) DIMMING (Standard)**

Utilizes specialized “ELV” dimmers.

**Notes:**

- 120VAC or 277VAC\*
- Dims down to less than 5% light output (most cases)
- Consult Dimming manufacturer for installation instructions - DO NOT SHARE NEUTRALS!
- Must meet dimmer Minimum Load Requirements

**ELV Wiring Diagram**



**Compatible Dimmers†:**

| Wall Box (ELV Style) |                    | Central System                              |
|----------------------|--------------------|---|
| Lutron “Diva”        | Leviton “Surslide” | Lutron “GP” Panel with PHPM-PA Interface    |
| Lutron “Nova-T”      | Leviton “Vizio”    | Lutron Grafik Eye QS with PHPM-PA Interface |
| Lutron “Maestro”     |                    |   |
| Lutron “Vareo”       |                    |   |
| Lutron “Skylark”     |                    |   |

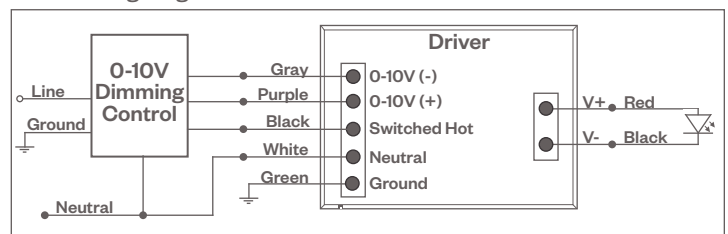
**0-10V - DIMMING (-0-10V Option)**

Integrates into a variety of building management and daylighting controls

**Notes:**

- 120VAC or 277VAC\*
- Dims down to 1% light output
- Requires interface to turn off power to driver
- Consult Dimming manufacturer for installation instructions - DO NOT SHARE NEUTRALS!

**0-10V Wiring Diagram**



**Compatible Dimmers†:**

| Wall Box                                    | Central System                           |
|---|--|
| Lutron “Diva” - DVTV with PP-120H Interface | Leviton Renoir II 0-10V                  |
|   | Lutron Grafik Eye with GRX-TVI Interface |

**Notes:**

- \* Driver is 277VAC dimmable with appropriate dimmer (by others). All provided wiring diagrams show 120VAC wiring colors and method. Please refer to 277VAC dimmer installation instructions for 277VAC wiring diagrams.
- † The absence of a dimmer from the lists above does not imply incompatibility. Please consult factory for compatibility inquiries.

**PROJECT:**

**TYPE:**

**DIMMING COMPATIBILITY:**

Amerlux® Essenza fixtures are compatible with all major dimming protocols prevalent in the United States. Please see below for general compatibilities and wiring diagrams. Amerlux recommends testing your unique dimming configuration as the exact full configuration (Dimmer, Fixture Quantity, Voltage, etc) may affect dimming performance.

**--- NOTE: INFORMATION BELOW IS FOR WIRED DIMMERS ONLY. FOR WIRELESS DIMMERS, CONSULT FACTORY ---**

**LUTRON H-SERIES / ECOSYSTEM (-HILUME-H-ECO Option)**

Integrates into Lutron EcoSystem building management

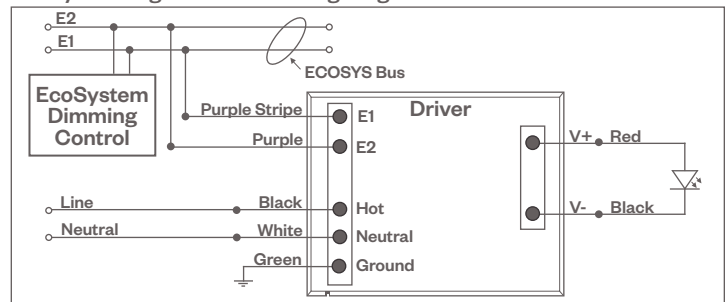
**Notes:**

- 120VAC or 277VAC\*
- Dims down to 1% light output
- EcoSystem Control
- Consult Dimming manufacturer for installation instructions - DO NOT SHARE NEUTRALS!

**Compatible Dimmers†:**

| Lutron ECO System       | Central System                       |
|-------------------------|--------------------------------------|
| Pow Pak Dimming Modules | Lutron EcoSystem compatible controls |
| Energi Savr Node        |                                      |
| Grafik Eye QS/Homeworks |                                      |
| QS Control Unit         |                                      |
| Quantum Hub             |                                      |
| Homeworks QS/My Room    |                                      |

**HILUME-H-ECO, HILUME-5-ECO  
EcoSystem Digital Control Wiring Diagram**



**DALI DIMMING (-DALI OPTION)**

Digital control protocol allows individual fixture control

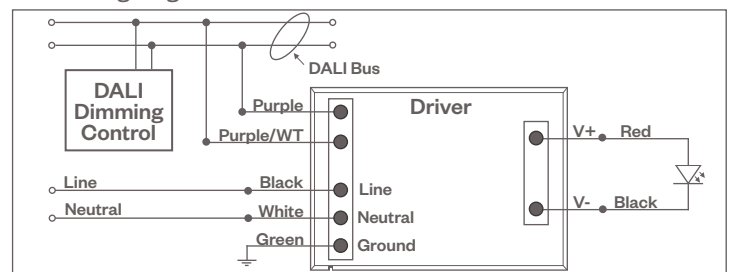
**Notes:**

- 120VAC - 277VAC\*
- Dims down to 1% light output in most cases

**Compatible Dimmers†:**

| Wall Box (3-Wire Fluorescent) | Central System |
|-------------------------------|----------------|
| Leviton CD250 Controller      | Dynalite       |
|                               | Fifth Light    |

**DALI Wiring Diagram**



**Notes:**

- \* Driver is 277VAC dimmable with appropriate dimmer (by others). All provided wiring diagrams show 120VAC wiring colors and method. Please refer to 277VAC dimmer installation instructions for 277VAC wiring diagrams.
- † The absence of a dimmer from the lists above does not imply incompatibility. Please consult factory for compatibility inquiries.