

Classix® 6"

6" Round Lens Wall Wash



PROJECT:

TYPE:

Features

The Classix Lensed Wall Wash shines new light on your bigger jobs. With a unique Amerlux® blend of architectural form and function, Classix performs perfectly in large retail and commercial spaces. Designed for higher ceilings, this wall washer features high output and a commercial grade lens providing for an even wash of light on vertical wall surface. Remodeler version is ideal for existing application as this fixture installs from-below into ceilings.



Product Overview

Type: Recessed Round Wall Wash
Wattage: 25W, 34W, 45W, 52W
Color Temp: 2700K, 3000K, 3500K, 4000K
CRI: 83 typ. (2700K, 3000K, 3500K, 4000K)
90+ typ. (2700K, 3000K)
CrispWhite & 3K Class A LEDs available
Dimming: TRIAC & ELV, 5% Dim, 120/277VAC
0-10V, 1% Dim, 120/277VAC
DALI, 1% Dim, 120/277VAC

Certifications



Fixture Summary

Fixture Type

| Round | New Construction | Remodeler | Trim |
|-------|------------------|-----------|------|
| Yes | Yes | Yes | Yes |

Performance Data

| Watts | Delivered Lumens | LPW | CBCP | Color Temp-CRI |
|-------|------------------|------|------|----------------|
| 25 | 1972 | 80.4 | 780 | 3000K-83 |
| 34 | 2648 | 77.9 | 1050 | 3000K-83 |
| 45 | 3356 | 74.6 | 1331 | 3000K-83 |
| 52 | 3729 | 72.1 | 1479 | 3000K-83 |

Data is based on 52W 3000K-83 120V IES files available on website.

See pg 5 for other beam spreads.

Electrical Data

| | 25W | | 34W | | 45W | | 52W | |
|---------|--------------|------|--------------|------|--------------|------|--------------|------|
| Voltage | System Watts | Amps | System Watts | Amps | System Watts | Amps | System Watts | Amps |
| 120V | 25 | 0.21 | 34 | 0.28 | 45 | 0.38 | 52 | 0.43 |
| 277V | 25 | 0.09 | 34 | 0.12 | 45 | 0.16 | 52 | 0.19 |

Electronic constant current LED driver.

Classix® 6"

6" Round Lens Wall Wash



| | |
|----------|-------|
| PROJECT: | TYPE: |
|----------|-------|

Ordering Information - Housing/Frame

| | 1 | 2 | 3 | 4 | 5 |
|----------|---|----------|----------------|----------|----------------|
| 1 | Model | 2 | Wattage | 3 | Voltage |
| | For New Construction | | 25 | | 120 |
| | CLX-R6-NC-A17 (New Construction) | | 34 | | 277 |
| | | | 45 | | |
| | For Existing Ceilings | | 52 | | |
| | CLX-R6-REM-A17 (Remodeler) | | | | |
| 4 | Driver (for non-dimming, select LE/TE option) | | | | |
| | LE/TE TRIAC/ELV dimming, 5% dim | | | | |
| | O-10V 0-10V dimming, 1% dim | | | | |
| | DALI DALI dimming, 1% dim (25W, 34W & 45W only) | | | | |
| 5 | Options/Accessories | | | | |
| | HB49 hanger bars from min 29" to max 49" (not available for use with REM option) | | | | |
| | Note: 26" hanger bars are included as standard. Choose HB49 option above for larger mounting spaces only. | | | | |

Ordering Information - Trim

| CLX-RLW6-A17 | | | | | |
|--------------|--------------|----------|---|-------------|-------------------|
| | 1 | 2 | 3 | | |
| 1 | Model | 2 | Finish | 3 | Color Temp |
| | CLX-RLW6-A17 | | SDW semi-diffuse, white flange | | 83 CRI |
| | | | SDC semi-diffuse, clear flange (flange finish matches cone finish) | | 90+ CRI |
| | | | | 27 2700K-83 | 279 2700K-90+ |
| | | | | 30 3000K-83 | 309 3000K-90+ |
| | | | | 35 3500K-83 | CRISP CrispWhite |
| | | | | 40 4000K-83 | 3CLA 3K Class A |

Classix® 6"

6" Round Lens Wall Wash



PROJECT:

TYPE:

Specifications

Application

Retail, commercial and hospitality wall wash lighting

Construction

20 ga. galvanized steel frame
18 ga. galvanized steel splice housing and hanger brackets (*not for Remodeler version*)
Passive cooling
Extruded aluminum heat sink

Optical

Engineered nano technology lens provides transmission while concealing LED image
Spun aluminum semi-diffuse aperture cone
Wall Wash beam distribution

LED

Color Temp Options: 2700K, 3000K, 3500K, 4000K, CRISP, Class A
CRI: 83 typ. (2700K, 3000K, 3500K, 4000K)
90+ typ. (2700K, 3000K)
CrispWhite* and Class A** 3000K (*high CRI, high gamut*) available (see description below)
R9 Values: 11 (83 CRI), 55 (92 CRI)
Binning: 3 MacAdam (SDCM)
Life: 50,000+ hrs, > 70% of initial lumens at 50,000 hrs
** CrispWhite: CrispWhite Technology delivers the warmth of colors expected from a high 90 CRI solution but also creates the natural crisp white color that is pleasing to the eye. It creates the most impactful lighting ever available, by revealing the richest whites and vibrant colors that pop.*
*** Class A LED: Class A LED's have a CRI > 80 and a GAI > 80. CRI defines color "Naturalness" and GAI defines color "Saturation." Both being high delivers rich colors and pure whites.*

Electrical

Wattage: 25W, 34W, 45W, 52W
Electronic constant current LED driver, 120/277VAC input
This product complies with IEEE C62.41 for surge endurance up to 2.5KV. Amerlux® recommends using additional surge protection with this unit (supplied by others), surge and over voltage damage is not covered under warranty.

Drivers

LE/TE - Leading Edge (*Triac, Forward Phase*) or Trailing Edge (*ELV, Reverse Phase*)
0-10V and DALI systems also available
See pages 6-7 for more dimming information

Finish (Trim)

Wet paint

Mounting

For use in T-Grid or GB ceilings; max ceiling thickness 1"
26" Hanger bars included (*except for Remodeler versions*)
Optional **HB49** - hanger bars from min 29" to max 49" available
Consult Factory for thicker ceilings

Certifications

CSA damp as tested to UL 1598 standards
Damp location

Warranty

5 year limited warranty

Classix® 6"

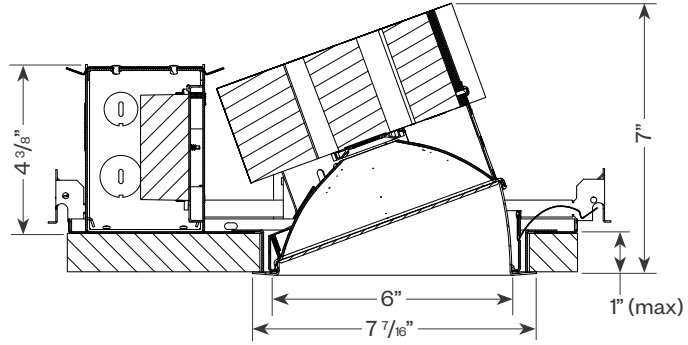
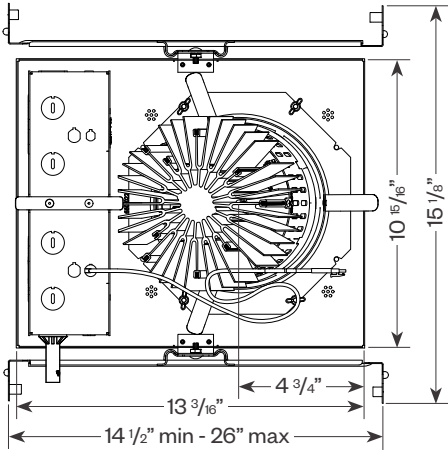
6" Round Lens Wall Wash



PROJECT:

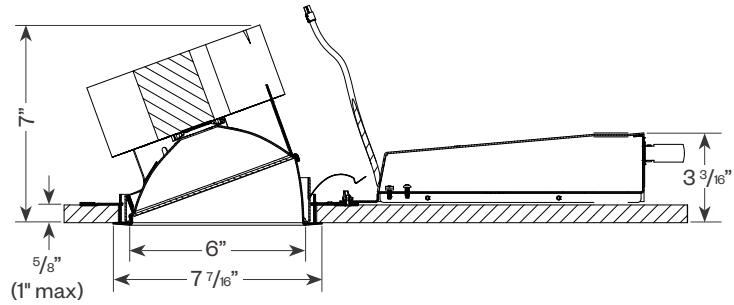
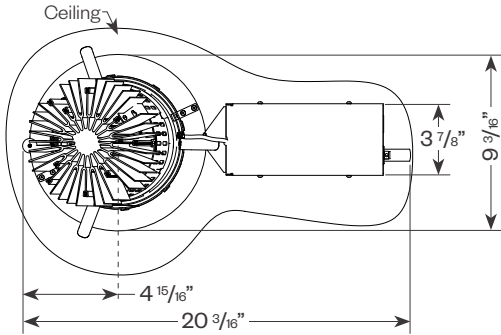
TYPE:

Product Details - New Construction



Ceiling Cut Out: 7" dia.

Product Details - Remodeler



Ceiling cut out: 7" dia.

Classix® 6"

6" Round Lens Wall Wash



PROJECT:

TYPE:

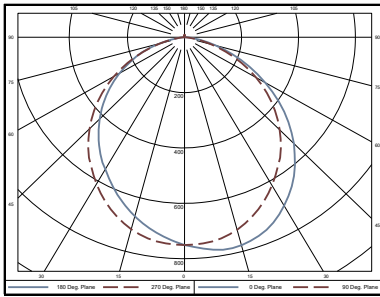
Performance Data

Multiplying Factors: (Multiplying Factor is based on 3000K-83 120V IES file on website)

| | | | |
|----------|------|------|-----|
| Wattage: | 34W | 45W | 52W |
| Factor: | 0.71 | 0.90 | 1.0 |

| | | | | | | | | |
|---------|----------|----------|----------|----------|-----------|-----------|-------|------|
| CCT: | 2700K-83 | 3000K-83 | 3500K-83 | 4000K-83 | 2700K-90+ | 3000K-90+ | CRISP | 3CLA |
| Factor: | 0.96 | 1.0 | 1.02 | 1.04 | 0.80 | 0.83 | 0.65 | 0.70 |

25W LED (3000K)
LTL #1031471
Lumens: 1,973

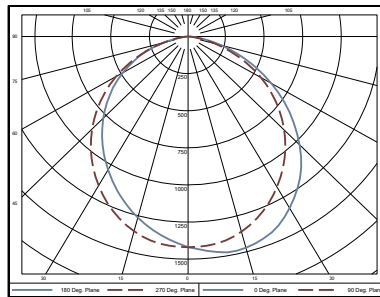


ZONAL LUMEN SUMMARY

| Zone | Lumens | %Fixt |
|--------|--------|-------|
| 0-40 | 940 | 47.7 |
| 0-60 | 1624 | 82.3 |
| 0-90 | 1972 | 100.0 |
| 90-180 | 0 | 0.0 |

Luminaire Efficacy: 80.4 lumens/watt

52W LED (3000K)
LTL #1031469
Lumens: 3,729



ZONAL LUMEN SUMMARY

| Zone | Lumens | %Fixt |
|--------|--------|-------|
| 0-40 | 1179 | 47.7 |
| 0-60 | 3068 | 82.3 |
| 0-90 | 3729 | 100.0 |
| 90-180 | 0 | 0.0 |

Luminaire Efficacy: 72.1 lumens/watt

Application Data (footcandles on wall)

Footcandles are average and rounded off. Data for multiple units are based on a minimum of five units.

25W LED (3000K)

3 Feet From Wall

| | | | | | | | | | | | | |
|-----------------------|------|--------|----|----|----|--------|----|----|----|----|----|----|
| | | ← 4' → | | | | ← 4' → | | | | | | |
| Distance from ceiling | 0.5' | 8 | 9 | 10 | 9 | 8 | 9 | 10 | 9 | 8 | 9 | 8 |
| | 1.5' | 25 | 27 | 30 | 27 | 25 | 27 | 30 | 27 | 25 | 27 | 25 |
| | 2.5' | 32 | 34 | 36 | 35 | 33 | 35 | 36 | 35 | 33 | 35 | 32 |
| | 3.5' | 29 | 31 | 32 | 32 | 31 | 32 | 33 | 32 | 31 | 32 | 30 |
| | 4.5' | 24 | 25 | 26 | 26 | 26 | 27 | 27 | 26 | 26 | 26 | 25 |
| | 5.5' | 20 | 20 | 21 | 21 | 22 | 22 | 22 | 22 | 21 | 21 | 20 |
| | 6.5' | 16 | 17 | 17 | 18 | 18 | 18 | 18 | 18 | 18 | 17 | 16 |
| | 7.5' | 13 | 14 | 14 | 15 | 15 | 15 | 15 | 15 | 15 | 14 | 13 |

52W LED (3000K)

3 Feet From Wall

| | | | | | | | | | | | | |
|-----------------------|------|--------|----|----|----|--------|----|----|----|----|----|----|
| | | ← 4' → | | | | ← 4' → | | | | | | |
| Distance from ceiling | 0.5' | 15 | 17 | 20 | 17 | 15 | 17 | 20 | 17 | 15 | 17 | 15 |
| | 1.5' | 47 | 52 | 58 | 52 | 48 | 52 | 58 | 52 | 48 | 52 | 47 |
| | 2.5' | 60 | 64 | 68 | 66 | 63 | 66 | 69 | 66 | 63 | 66 | 61 |
| | 3.5' | 56 | 59 | 61 | 60 | 59 | 60 | 63 | 60 | 59 | 60 | 56 |
| | 4.5' | 46 | 48 | 50 | 50 | 49 | 51 | 51 | 49 | 50 | 50 | 47 |
| | 5.5' | 37 | 39 | 40 | 40 | 41 | 41 | 42 | 41 | 40 | 40 | 37 |
| | 6.5' | 30 | 31 | 33 | 33 | 33 | 34 | 34 | 34 | 33 | 33 | 30 |
| | 7.5' | 25 | 26 | 27 | 28 | 28 | 28 | 28 | 28 | 28 | 27 | 25 |

Classix® 6"

6" Round Lens Wall Wash



| | |
|-----------------|--------------|
| PROJECT: | TYPE: |
|-----------------|--------------|

Dimming Compatibility

Amerlux® Classix® fixtures are compatible with all major dimming protocols prevalent in the United States. Please see below for general compatibilities and wiring diagrams. Amerlux recommends testing your unique dimming configuration as the exact full configuration (*Dimmer, Fixture Quantity, Voltage, etc*) may affect dimming performance.

--- NOTE: INFORMATION BELOW IS FOR WIRED DIMMERS ONLY. FOR WIRELESS DIMMERS, CONSULT FACTORY ---

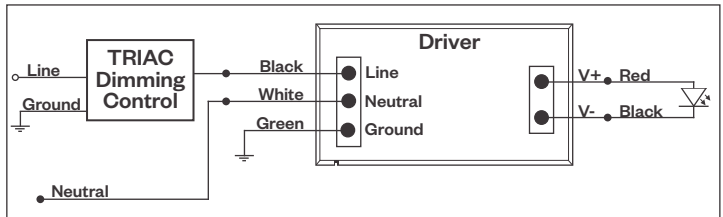
TRIAC (Forward Phase) Dimming

Utilizes standard TRIAC dimmers that are in wide use in installations across the US. Best for retrofit applications where TRIAC dimmers are installed.

Notes:

- 120VAC or 277VAC*
- Dims down to 5% light output (*most cases*)
- Consult Dimming manufacturer for installation instructions - **DO NOT SHARE NEUTRALS!**
- Must meet dimmer Minimum Load Requirements per dimming manufacturer

TRIAC Wiring Diagram



| Compatible Dimmers†: | |
|-------------------------|----------------------|
| Wall Box (TRIAC 120VAC) | Central System |
| Lutron "Diva" | Lutron "GP" Panel |
| Lutron "Nova-T" | Lutron Grafik Eye QS |
| Lutron "Maestro" | |
| Lutron "Skylark" | |

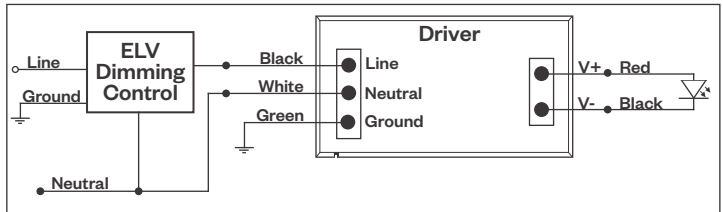
ELV - Electronic Low Voltage (Reverse Phase) Dimming

Utilizes specialized "ELV" dimmers.

Notes:

- 120VAC or 277VAC*
- Dims down to 5% light output (*most cases*)
- Consult Dimming manufacturer for installation instructions - **DO NOT SHARE NEUTRALS!**
- Must meet dimmer Minimum Load Requirements per dimming manufacturer

ELV Wiring Diagram



| Compatible Dimmers†: | | |
|-----------------------|---------------------------|--|
| Wall Box (ELV 120VAC) | Wall Box (ELV 277VAC) | Central System |
| Lutron "Diva" | Leviton Revoir II AWSMT-E | Lutron "GP" Panel with PHPM-PA 120/277VAC |
| Lutron "Nova-T" | | Lutron Grafik Eye QS with PHPM-PA 120/277VAC |
| Lutron "Maestro" | | |
| Lutron "Skylark" | | |
| Leviton "Surslide" | | |
| Leviton "Vizio" | | |

Notes:

* Driver is 277VAC dimmable with appropriate dimmer (by others). All provided wiring diagrams show 120VAC wiring colors and method. Please refer to 277VAC dimmer installation instructions for 277VAC wiring diagrams.

† The absence of a dimmer from the lists above does not imply incompatibility. Please consult factory for compatibility inquiries.

Classix® 6"

6" Round Lens Wall Wash



PROJECT:

TYPE:

Dimming Compatibility *(continued)*

Amerlux® Classix® fixtures are compatible with all major dimming protocols prevalent in the United States. Please see below for general compatibilities and wiring diagrams. Amerlux recommends testing your unique dimming configuration as the exact full configuration (*Dimmer, Fixture Quantity, Voltage, etc*) may affect dimming performance.

--- NOTE: INFORMATION BELOW IS FOR WIRED DIMMERS ONLY. FOR WIRELESS DIMMERS, CONSULT FACTORY ---

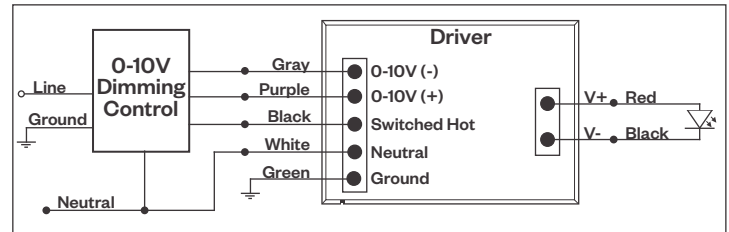
0-10V Dimming

Integrates into a variety of building management and daylighting controls

Notes:

- 120VAC or 277VAC*
- Dims down to 1% light output
- Requires interface to turn off power to driver
- Consult Dimming manufacturer for installation instructions - **DO NOT SHARE NEUTRALS!**

0-10V Wiring Diagram



Compatible Dimmers*:

| Wall Box | | Central System |
|-----------------------|-------------------------|--|
| Lutron "Diva" - DVSTV | Leviton Renoir II 0-10V | Lutron Grafik Eye with GRX-TVI Interface |

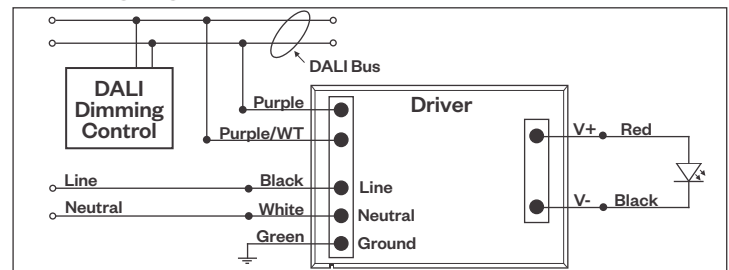
DALI Dimming

Digital control protocol allows individual fixture control

Notes:

- 120VAC - 277VAC*
- Dims down to 1% light output in most cases

DALI Wiring Diagram



Compatible Dimmers*:

| Wall Box <i>(3-Wire Fluorescent)</i> | Central System |
|--------------------------------------|----------------|
| Leviton CD250 Controller | Dynalite |
| | Fifth Light |

Notes:

* Driver is 277VAC dimmable with appropriate dimmer (by others). All provided wiring diagrams show 120VAC wiring colors and method. Please refer to 277VAC dimmer installation instructions for 277VAC wiring diagrams.

† The absence of a dimmer from the lists above does not imply incompatibility. Please consult factory for compatibility inquiries.