

Classix® 6" HP

6" High Power Round
Downlight



Features

The Classix downlight shines new light on your bigger jobs. With a unique Amerlux® blend of architectural form and function, Classix performs perfectly in large retail and commercial spaces. Designed for higher ceilings, this downlight features high output, various beam options, and an optional commercial grade lens.

Product Overview

Type: Recessed Round Downlight
Wattage: 73
Lumen Output: 5,412 max (WF); 74.2 Lm/W (WF)
CBCP: 21,245 max (SP)
Color Temp: 2700K, 3000K, 3500K, 4000K, Class A
CRI: 83 typ. (2700K, 3000K, 3500K, 4000K)
90+ typ. (2700K, 3000K, 3500K)
Class A, 3000K LED available
Dimming: 0-10V (120/277VAC) - 1% Dim

PROJECT:

TYPE:

Fixture Type

Round	New Construction	Trim
Yes	Yes	Yes

Performance Chart

Watts	Delivered Lumens	LPW	CBCP	Color Temp
73	4,751	65.2	21,240	3000K-83

Data is based on 3000K-83 IES files available on website
Data is base on Spot optic. See page XXX for other beam spreads

Electrical Data

	73W	
	System Watts	Amps
120V	73	0.61
277V	73	0.26

Electronic constant current LED driver



Classix® 6" HP

6" High Power Round Downlight



PROJECT:

TYPE:

Housing/Frame Ordering Information

CLX-HP-R6-NC-A17 . 73 . 0-10V .

1 **2** **3** **4** **5**

- 1** Model
For New Construction
CLX-HP-R6-NC-A17† (New Construction)
- 2** Wattage
73
- 3** Voltage
120
277
- 4** Driver (for non-dimming, select 0-10V option)
0-10V - 0-10V dimming, 1% dim
- 5** Options/Accessories
EM - emergency battery pack

Trim Ordering Information

CLX-HP-RD6-A17

1 **2** **3** **4**

- 1** Model
CLX-HP-RD6-A17†
- 2** Finish
SDW - semi-diffuse, white flange
SDC - semi-diffuse, clear flange (flange finish matches cone finish)
- 3** Beam Spreads
SP - spot, 22°
FL - flood, 32°
WF - wide flood, 44°
- 4** Color Temp
83 CRI 90+ CRI
27 - 2700K-83 279 - 2700K-90+ 3CLA - 3K Class A
30 - 3000K-83 309 - 3000K-90+
35 - 3500K-83 359 - 3500K-90+
40 - 4000K-83

† The "A" refers to the sequential revision in a year and "XX" refers to the year of update. Updates coincide with improved performance while not changing the overall fixture aesthetic and are reflected in the published performance data. Please contact your Amerlux representative for explanations of changes.

Classix® 6" HP

6" High Power Round Downlight



PROJECT:

TYPE:

Specifications

Application

Retail, commercial and hospitality ambient lighting

Construction

20 ga. galvanized steel frame
18 ga. galvanized steel splice housing and hanger brackets
(not for Remodeler version)
Passive cooling
Extruded aluminum heat sink

Optical

Spun aluminum semi-diffuse aperture cone
Spun aluminum upper reflector
Beam Spreads: Spot, 22°; Flood, 32°; Wide Flood, 44°
Very Wide Flood, 47°

LED

Color Temp Options:
2700K, 3000K, 3500K, 4000K
CRI: 83 typ. (2700K, 3000K, 3500K, 4000K)
90+ typ. (2700K, 3000K, 3500K)
Class A* 3000K LED available (see description below)
R9 Values: 11 (83 CRI), 55 (92 CRI)
Binning: 3 MacAdam (SDCM)
Life: 50,000+ hrs, > 70% of initial lumens at 50,000 hrs

**Class A LED: Class A LED's have a CRI > 80 and a GAI > 80. CRI defines color "Naturalness" and GAI defines color "Saturation." Both being high delivers rich colors and pure whites.*

Electrical

Wattage: 73
Electronic constant current LED driver, 120/277VAC input
This product complies with IEEE C62.41 for surge endurance up to 2.5KV. Amerlux® recommends using additional surge protection with this unit (supplied by others), surge and over voltage damage is not covered under warranty.

Drivers

0-10V dimming driver
See page 6 for more dimming information

Finish (Trim)

Wet paint

Mounting

For use in T-grid or sheetrock ceilings
1" max ceiling thickness
Adjustable hanger bars included (14 1/2" - 25" std.)
(32"-48" Adjustable hanger bars available, consult factory)

Certifications

CSA damp as tested to UL 1598 standards
Damp location

Warranty

5 year limited warranty

Classix® 6" HP

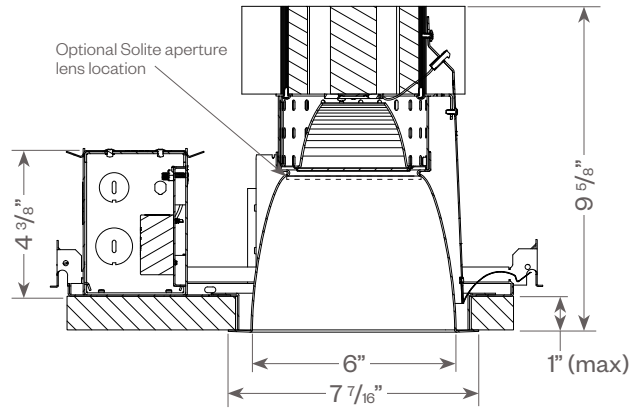
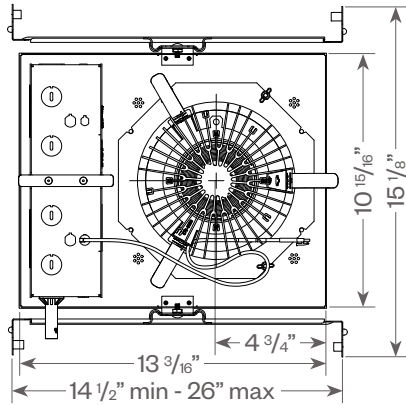
6" High Power Round Downlight



PROJECT:

TYPE:

Classix HP Round Downlight:
New Construction



Ceiling cut out: 7" dia.

Classix® 6" HP

6" High Power Round Downlight



PROJECT:

TYPE:

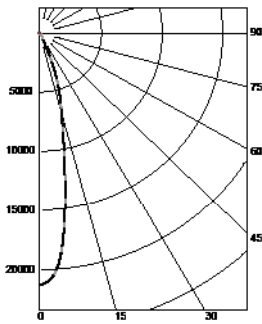
FIXTURE DATA: (Complete photometric data (.ies format) available upon request)

MULTIPLYING FACTORS: (Multiplying Factor is based on 3000K-83 120V IES file on website)

CCT:	2700K-83	3000K-83	3500K-83	4000K-83	2700K-90+	3000K-90+	3CLA
Factor:	0.96	1.0	1.02	1.04	0.80	0.83	0.75

73W LED (3000K-83)

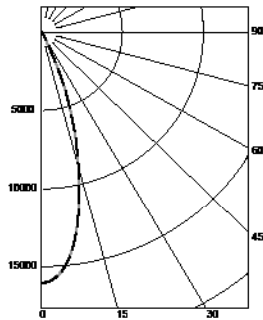
Spot Distribution
LTL #1237691
Lumens: 4,751; 65.2 Lm/W
CBCP: 21,240



Candelas at Nadir

Deg	Candela
0	21240
5	19280
15	7193
25	1297
35	316
45	120

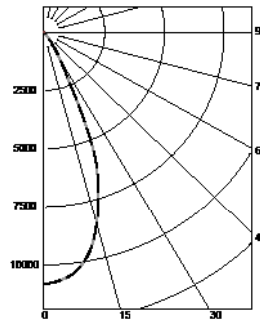
Flood Distribution
LTL #1237693
Lumens: 5,095; 69.9 Lm/W
CBCP: 16,030



Candelas at Nadir

Deg	Candela
0	16030
5	15260
15	8858
25	1670
35	321
45	114

Wide Flood Distribution
LTL #1237695
Lumens: 5,412; 74.2 Lm/W
CBCP: 10,800



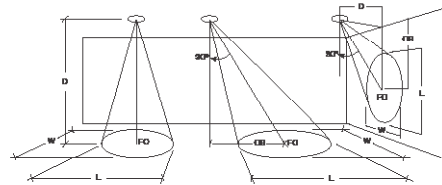
Candelas at Nadir

Deg	Candela
0	10800
5	10600
15	8433
25	3163
35	595
45	115

Application Data:

0° Aiming Angle
Horizontal
Footcandles

	D	FC	L	W
SPOT	5.0'	852	1.9	1.9
	7.5'	379	3.1	3.1
	10.0'	213	3.8	3.8
	12.5'	137	4.9	4.9
FLOOD	5.0'	643	2.8	2.8
	7.5'	286	4.0	4.0
	10.0'	161	5.4	5.4
	12.5'	104	6.7	6.7
WIDE FLOOD	5.0'	434	3.6	3.6
	7.5'	193	5.4	5.4
	10.0'	109	7.2	7.2
	12.5'	70	9.0	9.0
VERY WIDE FLOOD	5.0'	300	3.9	3.9
	7.5'	134	5.8	5.8
	10.0'	76	7.9	7.9
	12.5'	49	9.8	9.8



Notes and Definitions:

Beam spread is to 50% center beam candlepower (CBCP).

D=Distance to floor or wall.

FC=Footcandles on floor or wall at center beam aiming location.

L=Effective Visual Beam length in feet (50% of maximum footcandle level).

W=Effective Visual Beam width in feet (50% of maximum footcandle level).

CB=Distance across or down to center beam location.

Classix® 6" HP

6" High Power Round Downlight



PROJECT:

TYPE:

DIMMING COMPATIBILITY:

Amerlux® Classix fixtures are compatible with all major dimming protocols prevalent in the United States. Please see below for general compatibilities and wiring diagrams. Amerlux recommends testing your unique dimming configuration as the exact full configuration (Dimmer, Fixture Quantity, Voltage, etc) may affect dimming performance.

--- NOTE: INFORMATION BELOW IS FOR WIRED DIMMERS ONLY. FOR WIRELESS DIMMERS, CONSULT FACTORY ---

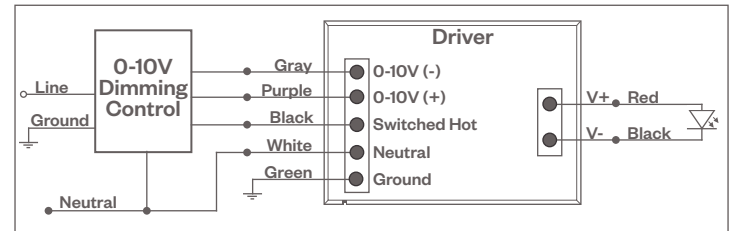
0-10V - DIMMING (-0-10V Option)

Integrates into a variety of building management and daylighting controls

Notes:

- 120VAC or 277VAC*
- Dims down to 1% light output
- Requires interface to turn off power to driver
- Consult Dimming manufacturer for installation instructions - DO NOT SHARE NEUTRALS!

0-10V Wiring Diagram



Compatible Dimmers†:

Wall Box

Lutron "Diva" - DVSTV

Leviton Renoir II 0-10V

Central System

Lutron Grafik Eye with GRX-TVI Interface

Notes:

* Driver is 277VAC dimmable with appropriate dimmer (by others). All provided wiring diagrams show 120VAC wiring colors and method. Please refer to 277VAC dimmer installation instructions for 277VAC wiring diagrams.

† The absence of a dimmer from the lists above does not imply incompatibility. Please consult factory for compatibility inquiries.