

Classix® 6"

6" Round Downlight



PROJECT:

TYPE:

Features

The Classix downlight shines new light on your bigger jobs. With a unique Amerlux® blend of architectural form and function, Classix performs perfectly in large retail and commercial spaces. Designed for higher ceilings, this downlight features high output, various beam options, and an optional commercial grade lens.



Product Overview

Type: Recessed Round Downlight
Wattage: 25W, 34W, 45W, 52W
Color Temp: 2700K, 3000K, 3500K, 4000K
CRI: 83 typ. (2700K, 3000K, 3500K, 4000K)
90+ typ. (2700K, 3000K)
CrispWhite & 3K Class A LEDs available
Dimming: TRIAC & ELV, 5% Dim, 120/277VAC
0-10V, 1% Dim, 120/277VAC
DALI, 1% Dim, 120/277VAC

Certifications



Fixture Summary

Fixture Type

Round	New Construction	Remodeler	Trim
Yes	Yes	Yes	Yes

Performance Data

Watts	Delivered Lumens	LPW	CBCP	Color Temp-CRI
25	1970	79	11,136	3000K-83
34	2530	74.4	14,049	3000K-83
45	3207	71.2	17,809	3000K-83
52	3563	68.5	19,788	3000K-83

Data is based on 52W 3000K-83 120V IES files available on website.

Data is Spot optic. See pg 5-6 for other beam spreads.

Electrical Data

	25W		34W		45W		52W	
Voltage	System Watts	Amps	System Watts	Amps	System Watts	Amps	System Watts	Amps
120V	25	0.21	34	0.28	45	0.38	52	0.43
277V	25	0.09	34	0.12	45	0.16	52	0.19

Electronic constant current LED driver.

Classix® 6"

6" Round Downlight



PROJECT:	TYPE:
-----------------	--------------

Ordering Information - Housing/Frame

	1	2	3	4	5		
1 Model	<p><u>For New Construction</u></p> <p>CLX-R6-NC-A17 <i>(New Construction)</i></p> <p><u>For Existing Ceilings</u></p> <p>CLX-R6-REM-A17 <i>(Remodeler)</i></p>	2 Wattage	<p>25</p> <p>34</p> <p>45</p> <p>52</p>	3 Voltage	<p>120</p> <p>277</p>	4 Driver <i>(for non-dimming, select LE/TE option)</i>	<p>LE/TE TRIAC/ELV dimming, 5% dim</p> <p>0-10V 0-10V dimming, 1% dim</p> <p>DALI DALI dimming, 1% dim <i>(25W, 34W & 45W only)</i></p>
5 Options/Accessories	<p>EM emergency battery pack with remote test switch <i>(not available for use with REM option)</i></p> <p>HB49 hanger bars from min 29" to max 49" <i>(not available for use with REM option)</i></p> <p><i>Note: 26" hanger bars are included as standard.</i></p> <p><i>Choose HB49 option above for larger mounting spaces only.</i></p>						

Ordering Information - Trim

CLX-RD6-A17																														
	1	2	3	4																										
1 Model	CLX-RD6-A17	2 Finish	<p>SDW semi-diffuse, white flange</p> <p>SDC semi-diffuse, clear flange <i>(flange finish matches cone finish)</i></p>	3 Beam Spread	<p>SP spot, 15°</p> <p>FL flood, 25°</p> <p>WF wide flood, 40°</p>																									
4 Color Temp	<table style="width: 100%; border-collapse: collapse;"> <tr> <td style="padding: 2px;"><u>83 CRI</u></td> <td style="padding: 2px;"><u>90+ CRI</u></td> <td colspan="3"></td> </tr> <tr> <td style="padding: 2px;">27 2700K-83</td> <td style="padding: 2px;">279 2700K-90+</td> <td style="padding: 2px;">CRISP CrispWhite</td> <td colspan="2"></td> </tr> <tr> <td style="padding: 2px;">30 3000K-83</td> <td style="padding: 2px;">309 3000K-90+</td> <td style="padding: 2px;">3CLA 3K Class A</td> <td colspan="2"></td> </tr> <tr> <td style="padding: 2px;">35 3500K-83</td> <td colspan="4"></td> </tr> <tr> <td style="padding: 2px;">40 4000K-83</td> <td colspan="4"></td> </tr> </table>					<u>83 CRI</u>	<u>90+ CRI</u>				27 2700K-83	279 2700K-90+	CRISP CrispWhite			30 3000K-83	309 3000K-90+	3CLA 3K Class A			35 3500K-83					40 4000K-83				
<u>83 CRI</u>	<u>90+ CRI</u>																													
27 2700K-83	279 2700K-90+	CRISP CrispWhite																												
30 3000K-83	309 3000K-90+	3CLA 3K Class A																												
35 3500K-83																														
40 4000K-83																														

Classix® 6"

6" Round Downlight



PROJECT:

TYPE:

Specifications

Application

Retail, commercial and hospitality ambient lighting

Construction

20 ga. galvanized steel frame
18 ga. galvanized steel splice housing and hanger brackets (*not for Remodeler version*)
Passive cooling
Extruded aluminum heat sink

Optical

Spun aluminum semi-diffuse aperture cone
Spun aluminum upper reflector

LED

Color Temp Options: 2700K, 3000K, 3500K, 4000K, CRISP, Class A
CRI: 83 typ. (2700K, 3000K, 3500K, 4000K)
90+ typ. (2700K, 3000K)
CrispWhite* and Class A** 3000K (*high CRI, high gamut*) available (*see description below*)
R9 Values: 11 (83 CRI), 55 (92 CRI)
Binning: 3 MacAdam (SDCM)
Life: 50,000+ hrs, > 70% of initial lumens at 50,000 hrs
** CrispWhite: CrispWhite Technology delivers the warmth of colors expected from a high 90 CRI solution but also creates the natural crisp white color that is pleasing to the eye. It creates the most impactful lighting ever available, by revealing the richest whites and vibrant colors that pop.*
*** Class A LED: Class A LED's have a CRI > 80 and a GAI > 80. CRI defines color "Naturalness" and GAI defines color "Saturation." Both being high delivers rich colors and pure whites.*

Electrical

Wattage: 25W, 34W, 45W, 52W
Electronic constant current LED driver, 120/277VAC input
This product complies with IEEE C62.41 for surge endurance up to 2.5KV. Amerlux® recommends using additional surge protection with this unit (supplied by others), surge and over voltage damage is not covered under warranty.

Drivers

LE/TE - Leading Edge (*Triac, Forward Phase*) or Trailing Edge (*ELV, Reverse Phase*)
0-10V and DALI systems also available
See pages 7-8 for more dimming information

Finish (Trim)

Wet paint

Mounting

For use in T-Grid or GB ceilings; max ceiling thickness 1"
26" Hanger bars included (*except for Remodeler versions*)
Optional **HB49** - hanger bars from min 29" to max 49" available
Consult Factory for thicker ceilings

Certifications

CSA damp as tested to UL 1598 standards
Damp location

Warranty

5 year limited warranty

Emergency Battery Pack (EM)

IOTA ILB-CP05 Emergency battery pack with remote test switch, output of 5W (*approx. 300 lumens*) for 90 minutes

Classix® 6"

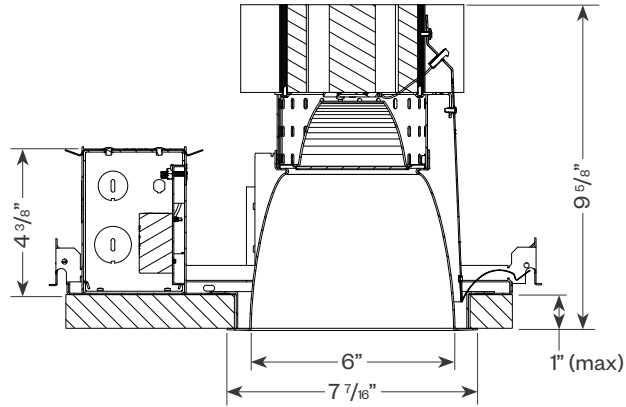
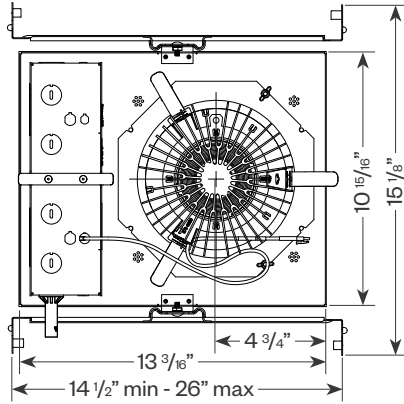
6" Round Downlight



PROJECT:

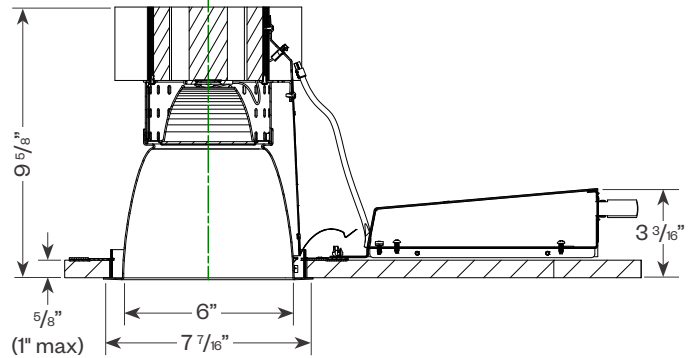
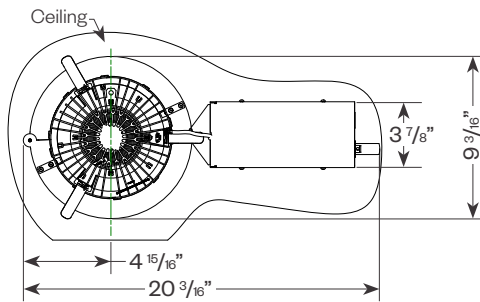
TYPE:

Product Details - New Construction



Ceiling Cut Out: 7" dia.

Product Details - Remodeler



Ceiling cut out: 7" dia.

Classix® 6"

6" Round Downlight



PROJECT:

TYPE:

Performance Data

Multiplying Factors: (Multiplying Factor is based on 3000K-83 120V IES file on website)

Wattage:	25W	34W	45W
Factor:	1.0	1.4	1.8

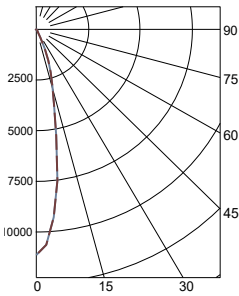
For 52W data see next page

CCT:	2700K-83	3000K-83	3500K-83	4000K-83	2700K-90+	3000K-90+	CRISP	3CLA
Factor:	0.96	1.0	1.02	1.04	0.80	0.83	0.65	0.70

25W LED (3000K-83)

Spot Distribution
LTL #1026868

Lumens: 1,970; 79 Lm/W
CBCP: 11,136

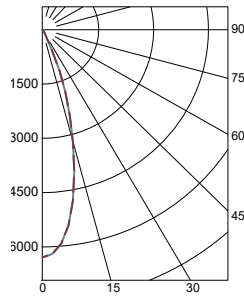


Candelas at Nadir

Deg	Candela
0	11136
5	9304
15	2887
25	440
35	93
45	39

Flood Distribution
LTL #1026867

Lumens: 1,866; 74.9 Lm/W
CBCP: 6,290

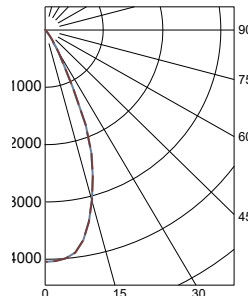


Candelas at Nadir

Deg	Candela
0	6290
5	5927
15	3221
25	597
35	105
45	37

Wide Flood Distribution
LTL #1026866

Lumens: 1,951; 78.3 Lm/W
CBCP: 4,046



Candelas at Nadir

Deg	Candela
0	4046
5	3998
15	3060
25	1114
35	197
45	37

Application Data

Notes and Definitions:

Beam spread is to 50% center beam candlepower (CBCP).

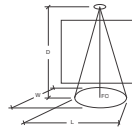
D=Distance to floor or wall.

FC=Footcandles on floor or wall at center beam aiming location.

L=Effective Visual Beam length in feet (50% of maximum footcandle level).

W=Effective Visual Beam width in feet (50% of maximum footcandle level).

CB=Distance across or down to center beam location.



SPOT	0° Aiming Angle Horizontal Footcandles			
	D	FC	L	W
5.0'	444	1.6	1.6	
7.5'	198	2.7	2.7	
10.0'	112	3.4	3.4	
12.5'	72	4.3	4.3	

FLOOD	0° Aiming Angle Horizontal Footcandles			
	D	FC	L	W
5.0'	252	2.6	2.6	
7.5'	112	3.8	3.8	
10.0'	63	5.1	5.1	
12.5'	41	6.4	6.4	

WIDE FLOOD	0° Aiming Angle Horizontal Footcandles			
	D	FC	L	W
5.0'	162	3.5	3.5	
7.5'	72	5.2	5.2	
10.0'	41	7.0	7.0	
12.5'	26	8.7	8.7	

Classix® 6"

6" Round Downlight



PROJECT:

TYPE:

Performance Data

Multiplying Factors: (Multiplying Factor is based on 3000K-83 120V IES file on website)

Wattage:	34W	45W	52W
Factor:	0.71	0.90	1.0

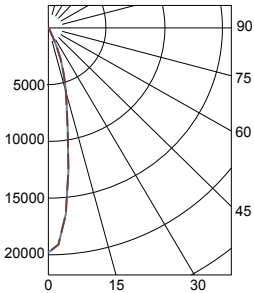
For 25W data see previous page

CCT:	2700K-83	3000K-83	3500K-83	4000K-83	2700K-90+	3000K-90+	CRISP	3CLA
Factor:	0.96	1.0	1.02	1.04	0.80	0.83	0.65	0.70

52W LED (3000K-83)

Spot Distribution
LTL #1026865

Lumens: 3,563; 68.5 Lm/W
CBCP: 19,788

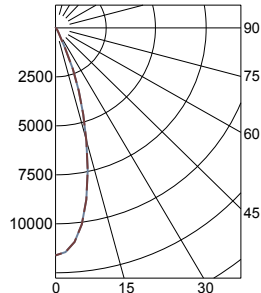


Candelas at Nadir

Deg	Candela
0	19788
5	16499
15	5520
25	813
35	173
45	73

Flood Distribution
LTL #1026863

Lumens: 3,457; 66.4 Lm/W
CBCP: 11,614

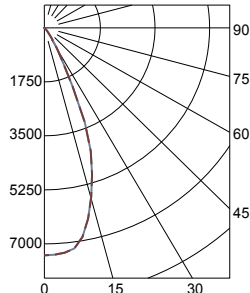


Candelas at Nadir

Deg	Candela
0	11614
5	10971
15	5987
25	1089
35	193
45	68

Wide Flood Distribution
LTL #1026864

Lumens: 3,607; 69.3 Lm/W
CBCP: 7,373



Candelas at Nadir

Deg	Candela
0	7373
5	7315
15	5677
25	2088
35	350
45	70

Application Data

Notes and Definitions:

Beam spread is to 50% center beam candlepower (CBCP).

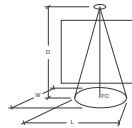
D=Distance to floor or wall.

FC=Footcandles on floor or wall at center beam aiming location.

L=Effective Visual Beam length in feet (50% of maximum footcandle level).

W=Effective Visual Beam width in feet (50% of maximum footcandle level).

CB=Distance across or down to center beam location.



	0° Aiming Angle Horizontal Footcandles			
	D	FC	L	W
SPOT	5.0'	790	1.6	1.6
	7.5'	352	2.7	2.7
	10.0'	198	3.4	3.4
	12.5'	127	4.1	4.1

	0° Aiming Angle Horizontal Footcandles			
	D	FC	L	W
FLOOD	5.0'	465	2.6	2.6
	7.5'	207	3.8	3.8
	10.0'	117	5.2	5.2
	12.5'	75	6.5	6.5

	0° Aiming Angle Horizontal Footcandles			
	D	FC	L	W
WIDE FLOOD	5.0'	296	3.5	3.5
	7.5'	132	5.3	5.3
	10.0'	74	7.0	7.0
	12.5'	48	8.9	8.9

Classix® 6"

6" Round Downlight



PROJECT:

TYPE:

Dimming Compatibility

Amerlux® Classix® fixtures are compatible with all major dimming protocols prevalent in the United States. Please see below for general compatibilities and wiring diagrams. Amerlux recommends testing your unique dimming configuration as the exact full configuration (*Dimmer, Fixture Quantity, Voltage, etc*) may affect dimming performance.

--- NOTE: INFORMATION BELOW IS FOR WIRED DIMMERS ONLY. FOR WIRELESS DIMMERS, CONSULT FACTORY ---

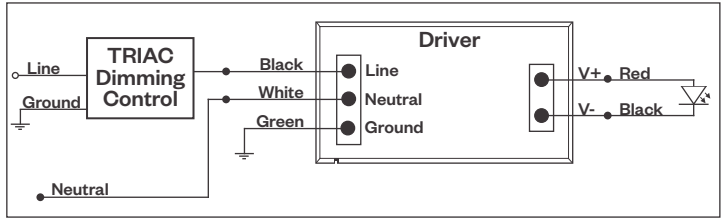
TRIAC (Forward Phase) Dimming

Utilizes standard TRIAC dimmers that are in wide use in installations across the US. Best for retrofit applications where TRIAC dimmers are installed.

Notes:

- 120VAC or 277VAC*
- Dims down to 5% light output (*most cases*)
- Consult Dimming manufacturer for installation instructions - **DO NOT SHARE NEUTRALS!**
- Must meet dimmer Minimum Load Requirements per dimming manufacturer

TRIAC Wiring Diagram



Compatible Dimmers†:	
Wall Box (TRIAC 120VAC)	Central System
Lutron "Diva"	Lutron "GP" Panel
Lutron "Nova-T"	Lutron Grafik Eye QS
Lutron "Maestro"	
Lutron "Skylark"	

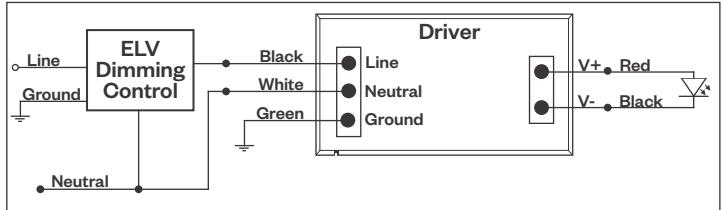
ELV - Electronic Low Voltage (Reverse Phase) Dimming

Utilizes specialized "ELV" dimmers.

Notes:

- 120VAC or 277VAC*
- Dims down to 5% light output (*most cases*)
- Consult Dimming manufacturer for installation instructions - **DO NOT SHARE NEUTRALS!**
- Must meet dimmer Minimum Load Requirements per dimming manufacturer

ELV Wiring Diagram



Compatible Dimmers†:		
Wall Box (ELV 120VAC)	Wall Box (ELV 277VAC)	Central System
Lutron "Diva"	Leviton Revoir II AWSMT-E	Lutron "GP" Panel with PHPM-PA 120/277VAC
Lutron "Nova-T"		Lutron Grafik Eye QS with PHPM-PA 120/277VAC
Lutron "Maestro"		
Lutron "Skylark"		
Leviton "Surslide"		
Leviton "Vizio"		

Notes:

* Driver is 277VAC dimmable with appropriate dimmer (by others). All provided wiring diagrams show 120VAC wiring colors and method. Please refer to 277VAC dimmer installation instructions for 277VAC wiring diagrams.

† The absence of a dimmer from the lists above does not imply incompatibility. Please consult factory for compatibility inquiries.

Classix® 6"

6" Round Downlight



PROJECT:

TYPE:

Dimming Compatibility (continued)

Amerlux® Classix® fixtures are compatible with all major dimming protocols prevalent in the United States. Please see below for general compatibilities and wiring diagrams. Amerlux recommends testing your unique dimming configuration as the exact full configuration (*Dimmer, Fixture Quantity, Voltage, etc*) may affect dimming performance.

--- NOTE: INFORMATION BELOW IS FOR WIRED DIMMERS ONLY. FOR WIRELESS DIMMERS, CONSULT FACTORY ---

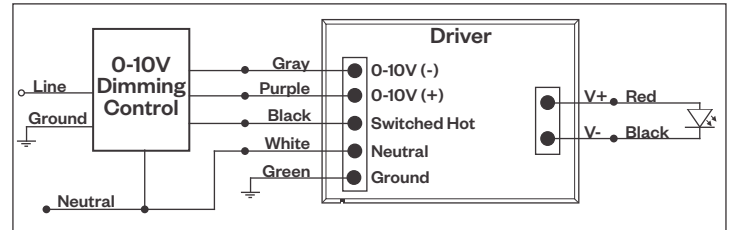
0-10V Dimming

Integrates into a variety of building management and daylighting controls

Notes:

- 120VAC or 277VAC*
- Dims down to 1% light output
- Requires interface to turn off power to driver
- Consult Dimming manufacturer for installation instructions - **DO NOT SHARE NEUTRALS!**

0-10V Wiring Diagram



Compatible Dimmers†:

Wall Box

Central System

Lutron "Diva" - DVSTV	Leviton Renoir II 0-10V	Lutron Grafik Eye with GRX-TVI Interface
-----------------------	-------------------------	--

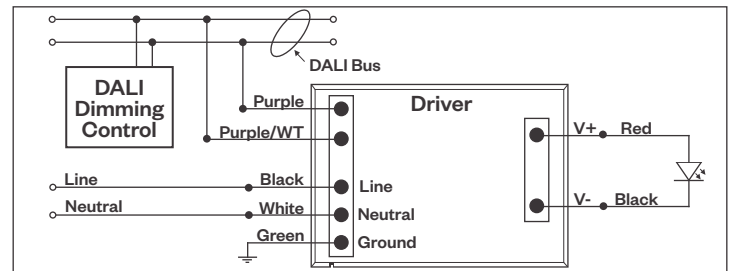
DALI Dimming

Digital control protocol allows individual fixture control

Notes:

- 120VAC - 277VAC*
- Dims down to 1% light output in most cases

DALI Wiring Diagram



Compatible Dimmers†:

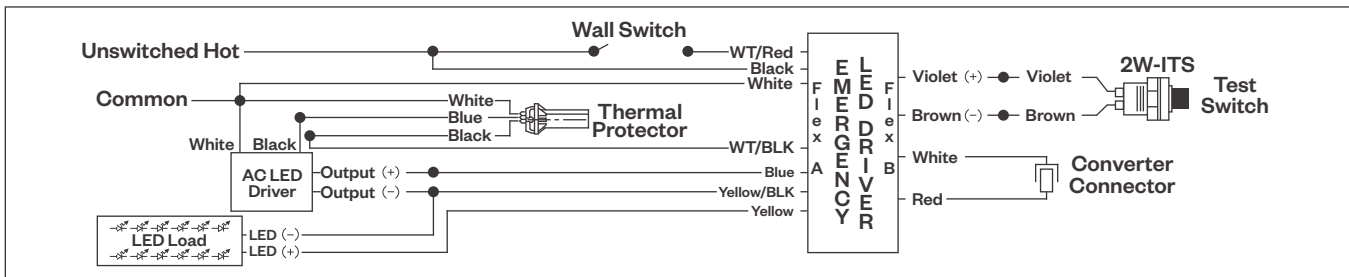
Wall Box (3-Wire Fluorescent)

Central System

Leviton CD250 Controller	Dynalite
	Fifth Light

Emergency Battery Pack

Wiring Diagram



Notes:

- * Driver is 277VAC dimmable with appropriate dimmer (by others). All provided wiring diagrams show 120VAC wiring colors and method. Please refer to 277VAC dimmer installation instructions for 277VAC wiring diagrams.
- † The absence of a dimmer from the lists above does not imply incompatibility. Please consult factory for compatibility inquiries.