

▶ 03 Sense

03-SENSE-00 Edge Sensor

Description

Delta Controls' award-winning 03[®] Sense standalone multisensor uses industry-leading sensor fusion technology to deliver the most accurate view of an interior space available on the market.

Integrating temperature, humidity, motion, sound, and light sensing in a single device, the 03 uses machine learning to provide fast, accurate feedback on the monitored space.

The 03 is easy to install and can be configured out of the box with just a smartphone.



Application

With support for BACnet, MQTT, and BLE protocols, the 03 Sense is an open platform IoT device that can integrate with almost any system.

Features

- ▶ Composite temperature, humidity, PIR motion, sound, and light sensors combined in a single device
- ▶ User feedback via speaker and full-color LED ring with customizable audio tones and colors
- ▶ Dual Ethernet connection for daisy-chaining in large spaces; provides pass-through communication even during power outages
- ▶ Configuration via mobile app
- ▶ BLE API for developing custom apps

Specifications

Temperature Sensors

Composite temperature value
 $\pm 0.5^{\circ}\text{C}$ ($\pm 1.0^{\circ}\text{F}$) typical with calibration

Digital temperature sensor
 $\pm 0.5^{\circ}\text{C}$ ($\pm 1.0^{\circ}\text{F}$)

Infrared temperature sensor
 $\pm 1.0^{\circ}\text{C}$ ($\pm 1.8^{\circ}\text{F}$) typical

Humidity Sensor

Accuracy $\pm 3\%$ for 20% to 80% RH
@ 15°C to 30°C (59°F to 86°F)

Motion Sensor

Passive infrared (PIR) motion sensor

Motion sensing range:

9.1 m (30 ft) diameter @ 4.6 m (15 ft) mounting height

5.5 m (18 ft) diameter @ 2.4 m (8 ft) mounting height

Light Sensor

$\pm (6+5\%)$ reading lx

Audio Input

2 microphones for acoustic occupancy detection

LED Ring

Full color ring with 12 RGB LEDs

Audio Output

1.0 W mono speaker for tones and audio output

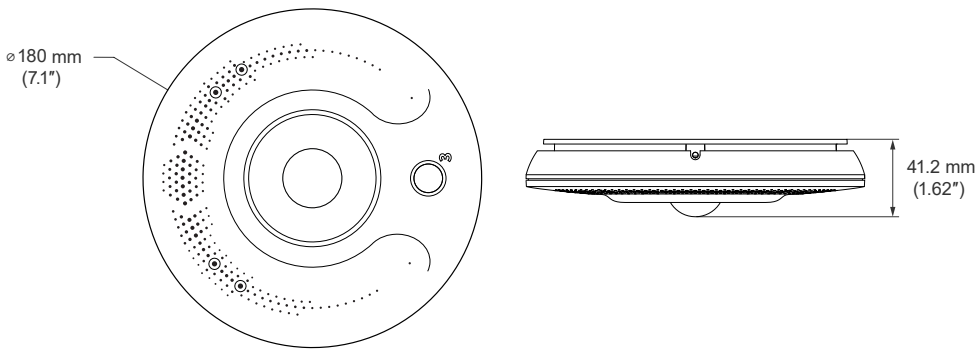
Connectors

Removable screw-type terminal connectors

03 Sense

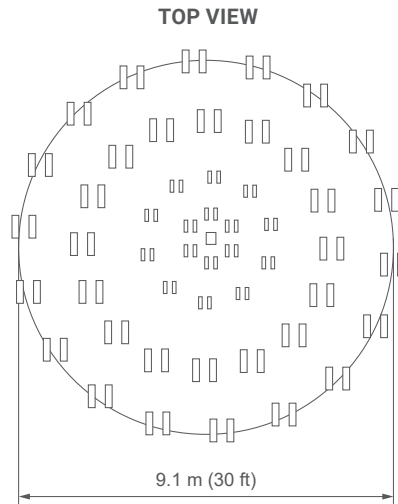
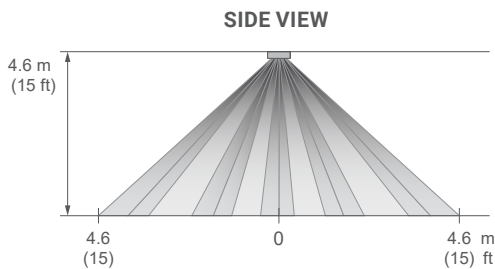
03-SENSE-00 Edge Sensor

Dimensions



Passive Infrared Motion Coverage

Mounting Height	PIR Sensing Range
4.6 m (15 ft)	9.1 m (30 ft)
2.4 m (8 ft)	5.5 m (18 ft)



Specifications (Continued)

Wiring Class

Class 2 / SELV

Power

24 VDC (20–28 VDC), 2 W typical,
9 W max, Class 2

Technology

Arm® Cortex®-A7 MPU + Cortex-M4 MCU
256 DDR3L RAM
4 GB eMMC flash memory
Real-time clock (RTC)
Supercapacitor power backup for RTC

Communication Ports

Dual Ethernet (10/100Base-T)

Interfaces and Protocols

BACnet (BACnet/IP, BACnet/Ethernet)
MQTT
BLE 5.0

Ambient Rating

0°C to 45°C (32°F to 113°F)
10% to 95% RH (non-condensing)

Dimensions

180 × 41.2 mm (7.1 × 1.6 in.)

Weight

350 g (0.77 lb)

Compliance

CE
FCC/IC
NCC (in progress)

Listings

cULus 916 Listed

Ordering

Order the 03 Sense using the following product number:

Name	Description	Amerlux P/N
03 Sense	Multisensor (temperature, humidity, light, motion), Bluetooth, LED ring, microphone and speaker, with mounting plate	DCI-331738

Updated January 2022

Subject to change without notice.