

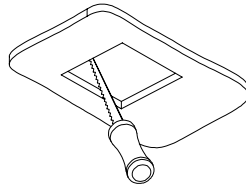
WARNING - RISK OF FIRE AND ELECTRICAL SHOCK. FIXTURE MUST BE INSTALLED BY A QUALIFIED ELECTRICIAN ONLY. FIXTURE IS INTENDED FOR INSTALLATION IN ACCORDANCE WITH THE NATIONAL ELECTRICAL CODE, LOCAL AND FEDERAL SPECIFICATIONS. DISCONNECT POWER AT ELECTRICAL PANEL BEFORE SERVICING.

RETAIN THESE INSTRUCTIONS FOR MAINTENANCE REFERENCE.

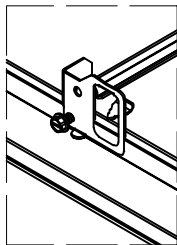
1. FRAME INSTALLATION

STADIA CEILING CUTOUT

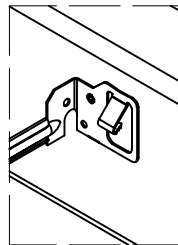
MODEL	CUTOUT DIM
STADIA55	4.00" Sq +0.0/-0.0625
STADIA88	6.75" Sq +0.0/-0.0625



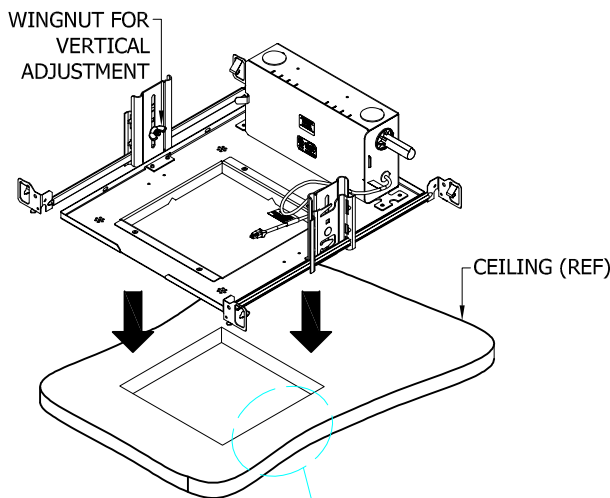
CAUTION:
A CEILING OPENING SIZE LARGER THAN RECOMMENDED WILL CREATE AN UNDESIRABLE GAP AROUND TRIM.



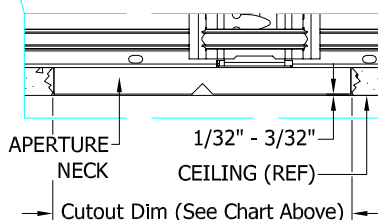
FASTEN TO STRUCTURAL MEMBER OR T-BAR



SCREW TO WOOD OR METAL STRUCTURE

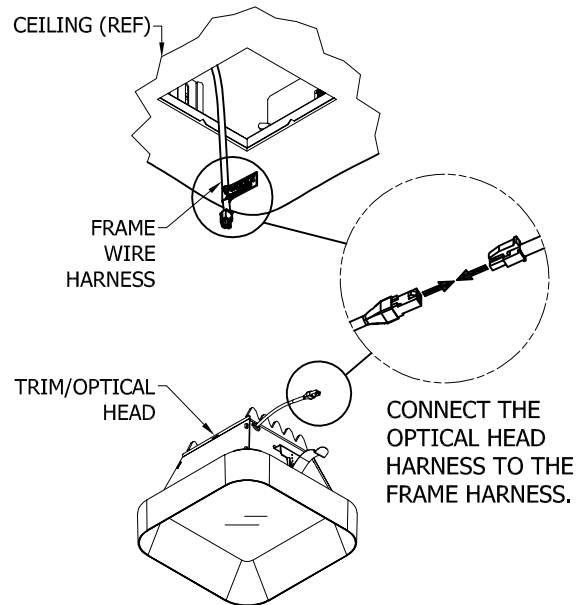


NOTE:
APERTURE NECK IS TO BE RECESSED 1/32" - 3/32" FROM BOTTOM OF CEILING.



2. TRIM/OPTIC INSTALLATION

CAUTION:
DO NOT SUPPORT TRIM ASSEMBLY WEIGHT USING THE QUICK CONNECT HARNESSSES.



CAUTION:
DO NOT SUPPORT TRIM ASSEMBLY WEIGHT USING THE QUICK CONNECT HARNESSSES.

