

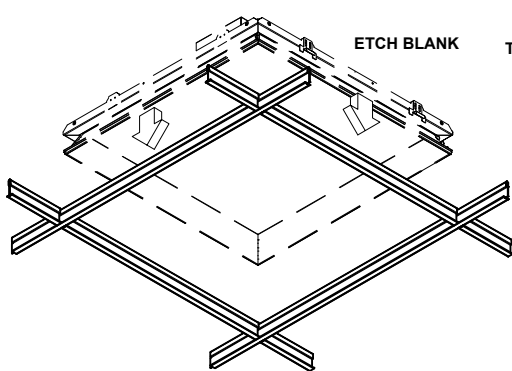


ETCH

GRID MOUNTED 2X2, SINGLE AND SIDE BY SIDE

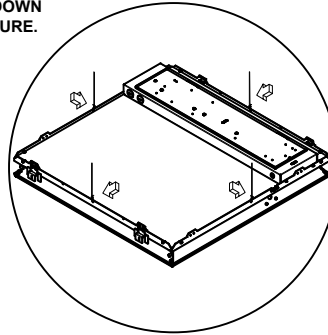
WARNING - ELECTROSTATIC AND POLARITY SENSITIVE DEVICE. USE CAUTION WHILE HANDLING AND WIRING. RISK OF FIRE AND ELECTRICAL SHOCK. FIXTURE MUST BE INSTALLED BY A QUALIFIED ELECTRICIAN ONLY. FIXTURE IS INTENDED FOR INSTALLATION IN ACCORDANCE WITH THE NATIONAL ELECTRICAL CODE, LOCAL AND FEDERAL SPECIFICATIONS. DISCONNECT POWER AT ELECTRICAL PANEL BEFORE SERVICING.

RETAIN THESE INSTRUCTIONS FOR MAINTENANCE REFERENCE.

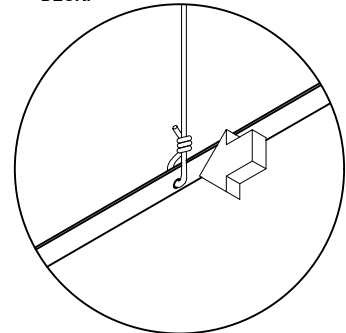


2X2 GRID

1. FOUR HOLES ON TOP SIDES OF FIXTURE TO TIE DOWN FIXTURE.

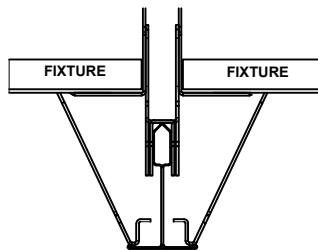
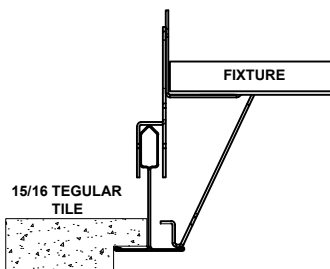
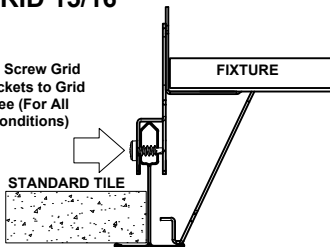


2. TIE DOWN FIXTURE TO DECK.



T-GRID 15/16

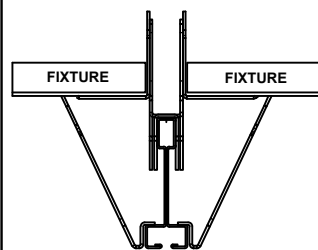
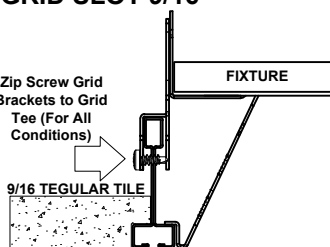
Zip Screw Grid Brackets to Grid Tee (For All Conditions)



ETCH NEXT TO ETCH

GRID SLOT 9/16

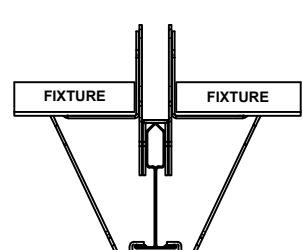
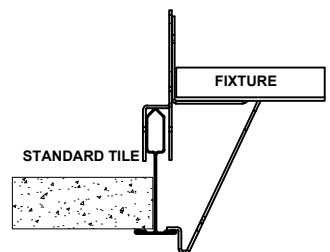
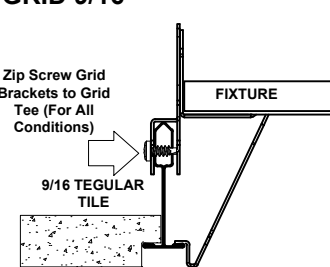
Zip Screw Grid Brackets to Grid Tee (For All Conditions)



ETCH NEXT TO ETCH

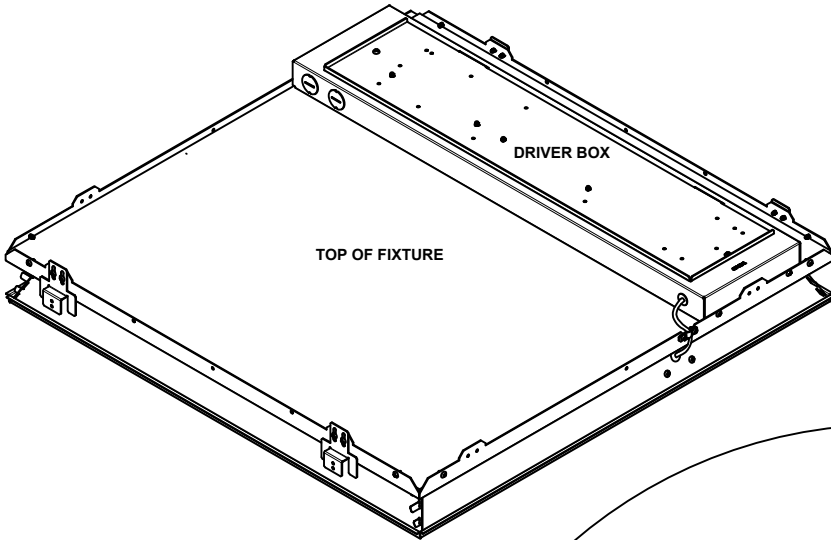
T-GRID 9/16

Zip Screw Grid Brackets to Grid Tee (For All Conditions)

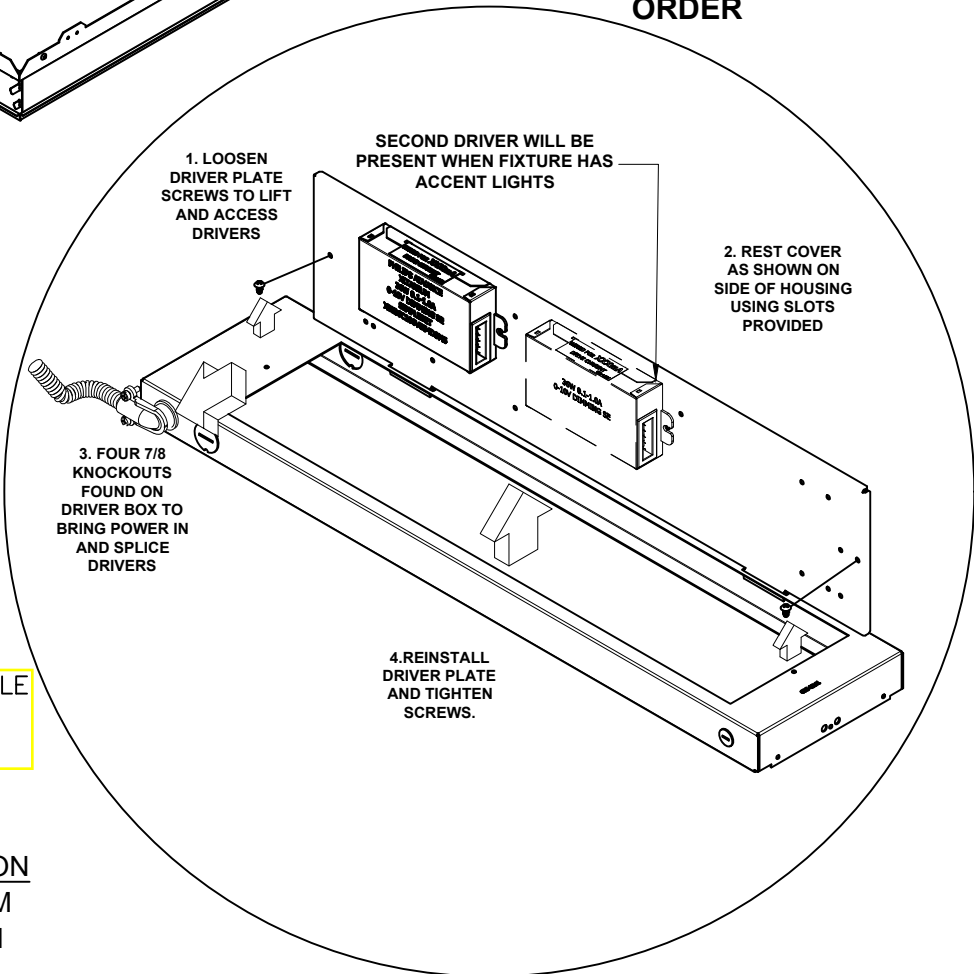


ETCH NEXT TO ETCH

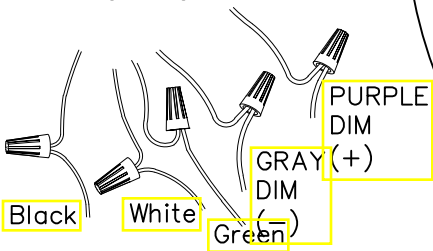
Connect Power (Make sure Power is OFF/DISCONNECTED)



**DRIVERS SHOWN WILL
VERY DEPENDING ON
SELECTION MADE ON
ORDER**



MAKE POWER ELECTRICAL CONNECTIONS BLACK, WHITE, GREEN, PURPLE(DIM+), GRAY(DIM-)



POWER WIRING CONNECTION
0-10V DIM shown. For non-DIM applications cap Purple (+) and Gray (-). Wire nuts supplied by others.