

# HORNET® HP DOWNLIGHT

3.5" ROUND LENSED WALL WASH TRIMLESS LED INTERNATIONAL

I-HDL-HP-RLW-A14-TL  
LED



**APPLICATIONS:**

Retail and commercial wall wash lighting

**CONSTRUCTION:**

Die-cast aluminum trim ring  
Cast aluminum plaster frame with perforated face  
Die-cast trim, extruded aluminum heat sink  
Optic can be rotated to any position

**ELECTRICAL:**

Electronic constant current LED driver, 240v input  
ELV and Triac dimming standard  
**This product complies with IEEE C62.41 for surge endurance up to 2.5KV. Amerlux® recommends using additional surge protection with this unit (supplied by others), surge damage is not covered by warranty.**

**OPTICS:**

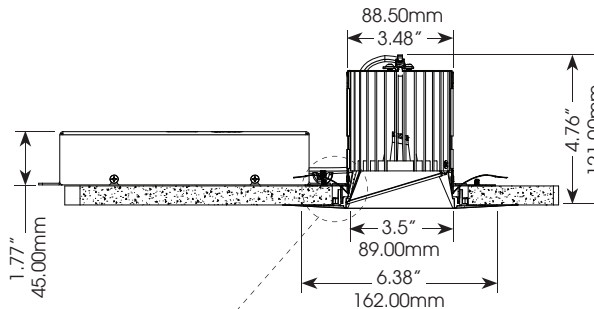
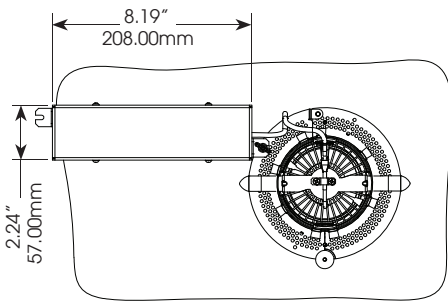
High reflectance, highly diffuse mixing chamber  
Engineered nano technology lens provides transmission while concealing LED image  
LED:  
Color Temp Options: 2200K, 2700K, 3000K, 3500K, 4000K  
CRI: 83 typ. (2700K, 3000K, 3500K, 4000K)  
90+ typ. (2200K, 2700K, 3000K)  
Optional Amerlux CrispWhite technology  
R9 Value: 11 (83CRI), 55 (90+CRI)  
Binning: 3 MacAdam (SDMC)  
Life: 50,000 hrs  
Lumen Maintenance: >70% of initial lumens @ 50,000 hrs  
Lumen Output (at 3000K):  
14W: 1084 lm 21W: 1558 lm

**LABELING:**

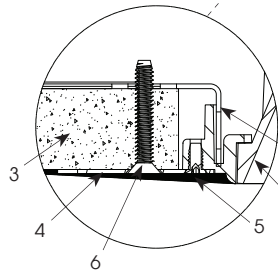
CE pending  
For indoor use only  
Damp location

PROJECT:

TYPE:



Ceiling Cut Out Dimension: 4.5" (114.50 mm)



1. Reflector Trim
2. Die-cast trim ring
3. Ceiling 1/2" (1" Max.)
4. Cast Aluminum Plaster Frame
5. Plaster Skim Coat (By Others)
6. #6 Screw (by others)

**ELECTRICAL**

240V	14W		21W	
	System Watts	Amps	System Watts	Amps
	14	0.06	21	0.09



114.5 mm

**3 year limited warranty**  
AMERLUX INTERNATIONAL  
(see website for details)

**ORDERING INFORMATION:**

Model	Wattage	Lamp Type	Voltage	Aperture Finish	Color Temp (CCT-CRI)	Listing Code	Options
I-HDL-HP-RLW-A14-TL	14 21	LED	240	MB - matte black MW - matte white SLV - matte silver	27 - 2700K-83 30 - 3000K-83 35 - 3500K-83 40 - 4000K-83  229 - 2200K-90+ 279 - 2700K-90+ 309 - 3000K-90+	CE	DALI - DALI driver
					CRISP - CrispWhite 3CLA - 3K Class A		

Example: I-HDL-HP-RLW-A14-TL-21-LED-240-MW-30-CE

Cat #:

Amerlux reserves the right to change details that do not affect overall function and performance.



# HORNET® HP DOWNLIGHT

3.5" ROUND LENSED WALL WASH TRIMLESS LED INTERNATIONAL

I-HDL-HP-RLW-  
A14-TL  
LED



TYPE:



**FIXTURE DATA:** For 14W data, multiply by 0.67

Complete photometric data (ies format) available upon request.

CCT Conversion Factor: 2700K-83 = 0.96; 3500K-83 = 1.02; 4000K-83 = 1.04; 2200K-90+ = 0.71; 2700-90+ = 0.80; 3000K-90+ = 0.83; CRISP = 0.65; 3CLA = 0.75

Hornet HP Round Lens Wall Washer 21W LED 3000K-83

Source: LED with frosted plastic optic Lumens: 1558

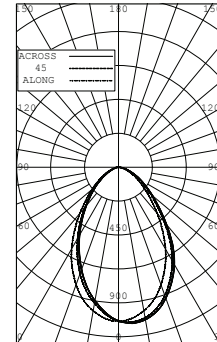
Recessed

## ZONAL LUMEN SUMMARY

Zone	Lumens	%Fixt
0-30	683	43.85
0-40	1005	64.53
0-60	1411	90.60
0-90	1558	100.00
40-90	553	35.47
60-90	146	9.40
90-180	0	0.0
0-180	1558	100.00

Luminaire Efficacy: 68.9 lumens/watt

LTL# 631078



## APPLICATION DATA:

### Footcandles on Wall

Footcandles are average and rounded off.  
Data for multiple units are based  
on a minimum of five units.

1.5 Feet From Wall

Distance from ceiling	1.5' Spacing				
	0.5'	1.5'	2.5'	3.5'	4.5'
0.5'	48	50	50	50	48
1.5'	94	99	100	99	91
2.5'	88	94	95	94	88
3.5'	60	66	68	66	61
4.5'	40	44	46	45	41
5.5'	28	31	32	31	29
6.5'	21	23	23	23	21
7.5'	16	17	18	17	16

1.5 Feet From Wall

Distance from ceiling	2' Spacing						
	0.5'	1.5'	2.5'	3.5'	4.5'	5.5'	6.5'
0.5'	37	40	37	40	37	40	36
1.5'	72	77	75	78	74	77	72
2.5'	69	73	74	75	74	73	69
3.5'	48	52	54	54	54	52	49
4.5'	33	36	37	38	37	36	33
5.5'	23	26	27	27	27	26	24
6.5'	17	19	20	20	20	19	18
7.5'	14	15	16	16	16	15	14

2 Feet From Wall

Distance from ceiling	2' Spacing						
	0.5'	1.5'	2.5'	3.5'	4.5'	5.5'	6.5'
0.5'	21	23	22	23	23	22	22
1.5'	48	51	51	52	51	51	48
2.5'	56	59	61	61	61	60	56
3.5'	47	51	52	53	53	51	47
4.5'	36	39	41	41	41	39	36
5.5'	27	29	31	31	31	29	27
6.5'	21	22	24	24	24	23	21
7.5'	16	18	19	19	19	18	16