

# Hornet® HP

Round Lensed Downlight/Wall Wash, Dim-To-Warm



PROJECT:

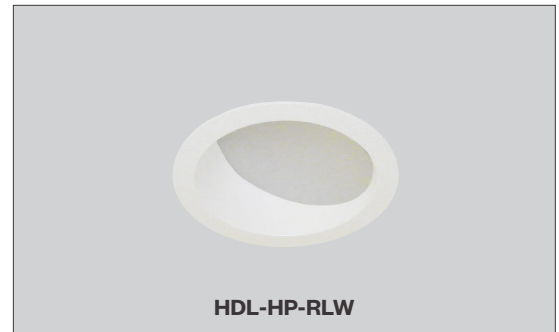
TYPE:

## Features

Add ambiance to any hospitality, residential, retail or commercial space. Amerlux Hornet HP Downlight Dim-To-Warm option offers a lower kelvin temperature as you dim the lights. An adaptable light source in a cost-effective, solid state lighting package. The Dim-To-Warm option can tap into the powerful mediums of light and color to enhance the experience, well-being, and human emotion. Amerlux Dim-To-Warm allows designers to simulate the familiar glow and dimming of incandescent lamps. Available for trimmed, trimless or millwork applications.

## Product Overview

Type: Recessed Round Lensed Downlight/Wall Wash  
 Wattage: 15W  
 Color Temp: 3000K to 1800K  
 95 typ.  
 Dimming: TRIAC & ELV, 5% Dim, 120/277VAC  
 Lutron LDE1 Hi-lume® 1% Soft-On/Fade-to-Black, 120/277VAC  
 0-10V, 1% Dim, 120/277VAC  
 DALI, 1% Dim, 120/277VAC



## Certifications



## Fixture Summary

### Fixture Type

New Construction	Remodeler	Trim	Trimless
Yes	Yes	Yes	Yes

### Performance Data

Watts	HDL-HP-RLD			HDL-HP-RLW		
	Delivered Lumens	LPW	Color Temp-CRI	Delivered Lumens	LPW	Color Temp-CRI
15	822	55.6	3000K-83	841	56.9	3000K-83

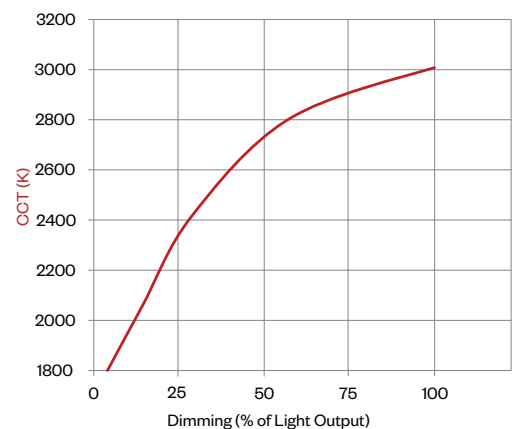
Data is based on 3000K-83 120V IES files available on website.  
 HDL-HP-RLD data is based on 40SOL optic.  
 Includes 2W for thermal protector.

### Electrical Data

Voltage	15W	
	System Watts	Amps
120V	15	0.13
277V	16	0.06

Electronic constant current LED driver.  
 Includes thermal protector, 2W power consumption.

### Dim-To-Warm CCT Curve



# Hornet® HP

Round Lensed Downlight/Wall Wash, **Dim-To-Warm**



PROJECT:

TYPE:

## Ordering Information - Housing/Frame

1	2	3	4	5	6
<b>1 Model</b> For New Construction <b>HDL-HP-R-NC-DTW-A17</b> (New Construction) <b>HDL-HP-R-CP-DTW-A17</b> (Chicago Plenum (CCEA) housing) <b>HDL-HP-R-IC-DTW-A17</b> (Insulated Ceiling/air tight)  For Existing Ceilings <b>HDL-HP-R-REM-DTW-A17</b> (Remodeler)	<b>2 Style</b> <b>T</b> trimmed <b>TL</b> trimless <b>MWK<sup>R†</sup></b> millwork (for 1/2" - 11/16" ceiling thickness) <i><sup>R</sup>Not available for use with Remodeler model</i> <i><sup>†</sup>Consult factory for use in ceilings thicker than 11/16"</i>	<b>3 Wattage</b> <b>15</b>	<b>4 Voltage</b> <b>120</b> <b>277</b> <b>120/277</b> (for use with IC housing only)	<b>5 Driver</b> (for non-dimming, select LE/TE option) <b>LE/TE<sup>T24</sup></b> TRIAC/ELV dimming <b>HILUME-H-ECO</b> - Lutron LDE1 Hi-lume® 1% dim Soft-On/Fade-to-Black <b>O-10V<sup>T24</sup></b> 0-10V dimming, 1% dim <b>DALI</b> DALI dimming, 1% dim	<b>6 Options/Accessories</b> <b>EM</b> - emergency battery pack with remote test switch (not available for use with REM, CP or IC options) <b>HB49</b> - hanger bars from min 29" to max 49" (not available for use with REM options) <i>Note: 26" hanger bars are included as standard.</i> <i>Choose <b>HB49</b> option above for larger mounting spaces only.</i>

## Ordering Information - Trim

1	2	3	4	5	6
<b>1 Model</b> <b>HDL-HP-RLD-DTW-A17</b> (lensed downlight) <b>HDL-HP-RLW-DTW-A17</b> (lensed wall wash)	<b>2 Style</b> <b>T</b> trimmed <b>TL</b> trimless <b>MWK</b> millwork	<b>3 Finish</b> <u>Trimmed</u> <b>MBW</b> matte black, white flange <b>MWW</b> matte white, white flange <b>SLVW</b> matte silver, white flange <b>MBB</b> matte black, black flange <b>SLVW</b> matte silver, silver flange  <u>Trimless/Millwork</u> <b>MB</b> matte black <b>MW</b> matte white <b>SLV</b> matte silver	<b>4 Beam Spread</b> (not required for RLW fixture) <b>30SOL</b> 30° beam with solite lens <b>40SOL</b> 40° beam with solite lens <b>65SOL</b> 65° beam with solite lens	<b>5 Color Temp</b> <u>95 CRI</u> <b>309</b> 3000K-95	<b>6 Options/Accessories</b> <b>WET</b> wet location (only available for use with trimmed style)

# Hornet® HP

Round Lensed Downlight/Wall Wash, Dim-To-Warm



PROJECT:

TYPE:

## Specifications

### Application

Hospitality and commercial ambient or wall wash lighting

### Construction

20 ga. galvanized steel frame  
18 ga. galvanized steel splice housing and hanger brackets (*not for Remodeler version*)  
Cast aluminum plaster frame with perforated face (*for trimless version only*)  
Die-cast optical housing and trim  
Die-cast heat sink

### Optical

#### Lens Options (*for RLD version*):

**Solite lens** for maximum efficacy and a visually quieter aperture. 30°, 40° and 65° beam spread options. Visually best with SLV reflector finish.

#### Beam spreads (*for RLD version*):

**30SOL** - 30° beam with solite lens

**40SOL** - 40° beam with solite lens

**65SOL** - 65° beam with solite lens

#### Wall Wash (*for RLW version*):

Engineered nano technology lens provides high transmission while concealing LED image

### LED

Color Temp Options: 3000K (*dims to 1800K*)

CRI: 95 typ.

R9 Values: 85 (*95 CRI*)

Binning: 3 MacAdam (*SDCM*)

Life: 50,000+ hrs, > 70% of initial lumens at 50,000 hrs

### Electrical

t15W

Electronic constant current LED driver, 120/277VAC input

**This product complies with IEEE C62.41 for surge endurance up to 2.5KV.**

**Amerlux® recommends using additional surge protection with this unit (supplied by others), surge and over voltage damage is not covered under warranty.**

**Note: Drivers are universal but thermal protector is voltage specific.**

### Drivers

**LE/TE** - Leading Edge (*Triac, Forward Phase*) or Trailing Edge (*ELV, Reverse Phase*)

0-10V, Lutron and DALI systems also available

See pages 10-12 for more dimming information

### Finish

Powder coat paint/wet paint

Consult factory for custom finishes

### Mounting

26" Hanger bars included (*except for Remodeler versions*)

Optional **HB49** - hanger bars from min 29" to max 49" available

#### Trimmed Fixture:

For use in grid or sheetrock ceilings, 5/8" - 2" max (*1" max for RLW trims*) standard

#### Trimless Fixture:

For use in sheetrock ceilings, max ceiling thickness 5/8"

#### Millwork Fixture:

Millwork extension collars are based on ceiling material specifications and thickness. Provides flush trim appearance level with ceiling material. Ceiling thickness 1/2"-11/16". Consult factory for use in ceilings thicker than 11/16".

**Not available for use with Remodeler model.**

### Certifications

CSA damp as tested to UL 1598 standards

CP - Chicago Plenum (*CCEA*) option

IC/AT rated (*optional*)

Damp location

Wet location option

JA10 compliant for Title 24 per UL Test 13005791.01A (*available upon request*)

### Warranty

5 year limited warranty

### Emergency Battery Pack (EM)

Powers fixture at 5.1 watts (*approx. 300 lm*) for 90 minutes (*not for use with REM, CP or IC versions*)

# Hornet® HP

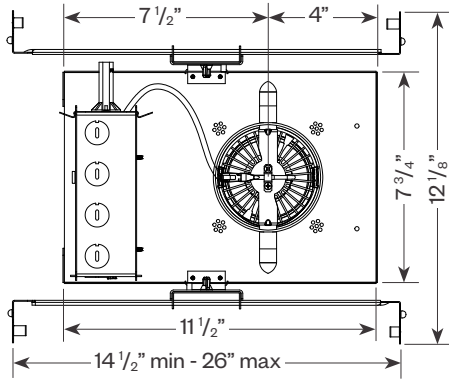
Round Lensed Downlight/Wall Wash, **Dim-To-Warm**



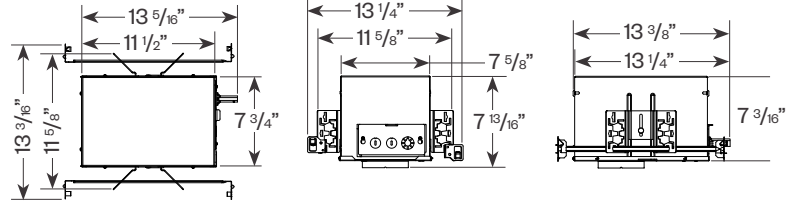
PROJECT:

TYPE:

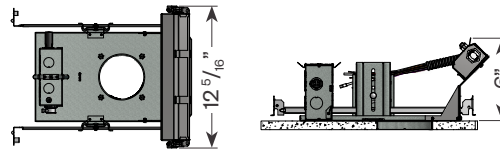
## Product Details - Trimmed



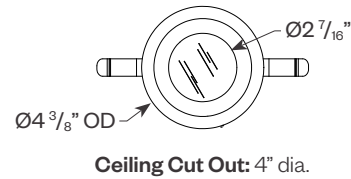
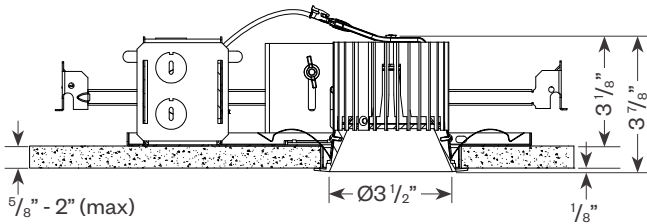
Optional CP or IC/AT housing



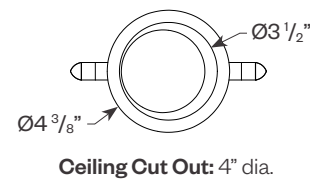
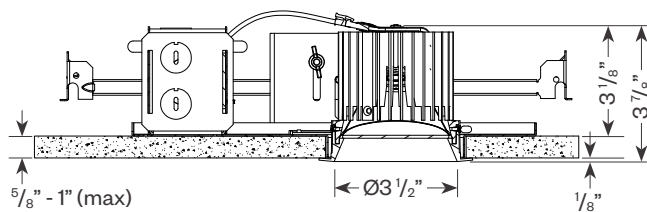
Emergency Battery Pack (EM) option



### Hornet HP Round Lensed Downlight (HDL-HP-RLD)



### Hornet HP Round Lensed Wall Wash (HDL-HP-RLW)



# Hornet® HP

Round Lensed Downlight/Wall Wash, **Dim-To-Warm**



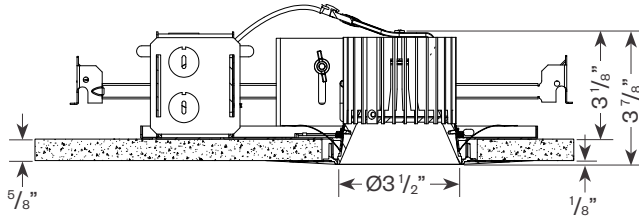
PROJECT:

TYPE:

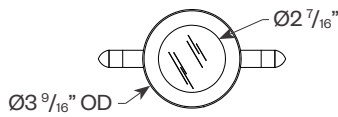
## Product Details - Trimless & Millwork

Hornet HP Round Lensed Downlight (HDL-HP-RLD-TL or HDL-HP-RLD-MWK)

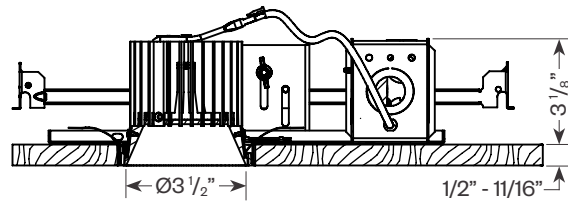
Trimless



Trimless Ceiling Cut Out: 4 1/2" dia.

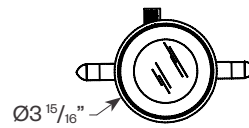


Millwork



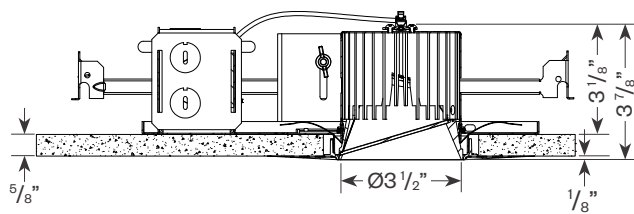
Millwork Ceiling Cut Out: 4" dia.

1/2" - 11/16"  
Ceiling Thickness  
(Consult factory  
for thicker ceilings)

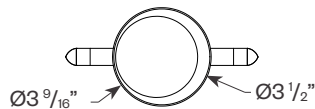


Hornet HP Round Lensed Wall Wash (HDL-HP-RLW-TL or HDL-HP-RLW-MWK)

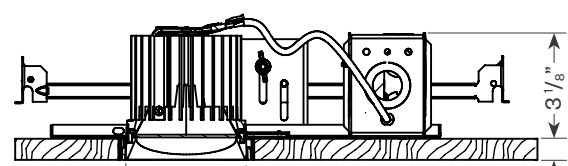
Trimless



Trimless Ceiling Cut Out: 4 1/2" dia.

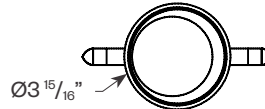


Millwork



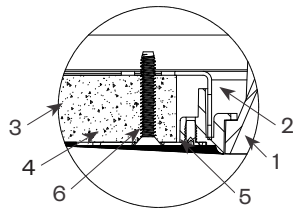
Millwork Ceiling Cut Out: 4" dia.

1/2" - 11/16"  
Ceiling Thickness  
(Consult factory  
for thicker ceilings)



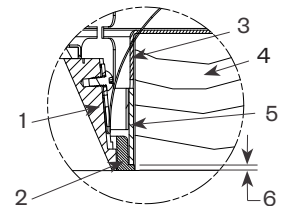
## Plaster Frame Installation Detail (for trimless fixture only)

1. Reflector Trim
2. Aperture Plate
3. Ceiling 5/8"
4. Cast Aluminum Plaster Frame
5. Plaster Skim Coat (by others)
6. 6-32 Type F Thread Cutting Screw



## Millwork Detail

1. Reflector Trim
2. Millwork Ring
3. Aperture Plate
4. Wood Ceiling 2" Max
5. Extension Collar (see ordering information for ceiling thicknesses)
6. 1/16" required for trim to be flush with ceiling



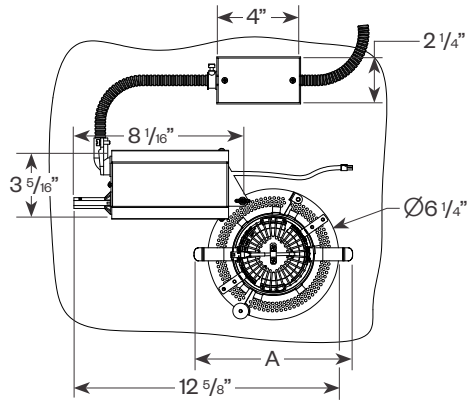
# Hornet® HP

Round Lensed Downlight/Wall Wash, **Dim-To-Warm**



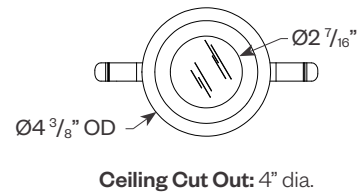
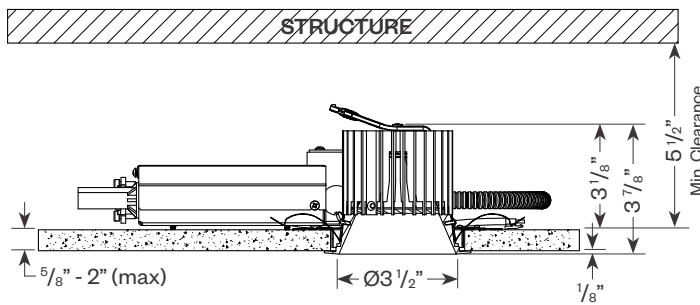
<b>PROJECT:</b>	<b>TYPE:</b>
-----------------	--------------

## Product Details - Remodeler Trimmed

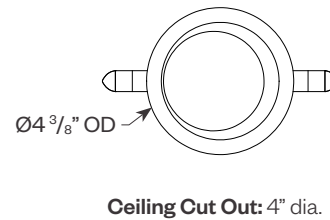
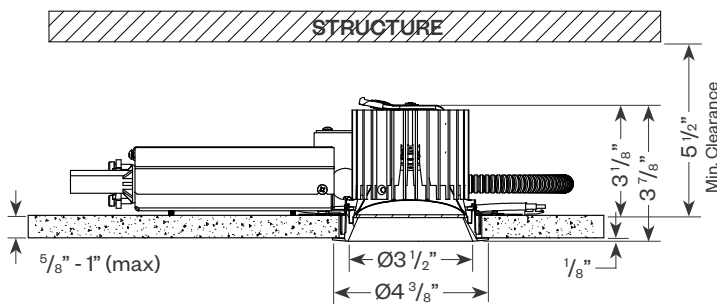


Remodeler Trimmed		
	RLD	RLW
A	7 9/16"	7"

### Hornet HP Round Lensed Downlight (HDL-HP-RLD)



### Hornet HP Round Lensed Wall Wash (HDL-HP-RLW)



# Hornet® HP

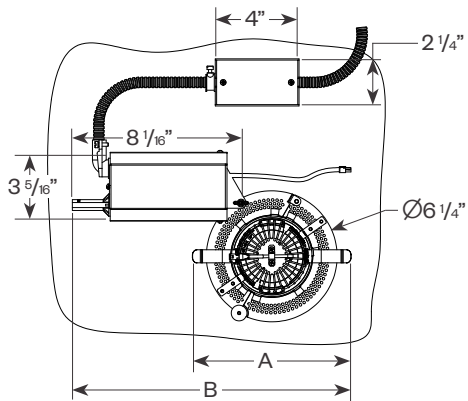
Round Lensed Downlight/Wall Wash, Dim-To-Warm



PROJECT:

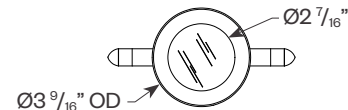
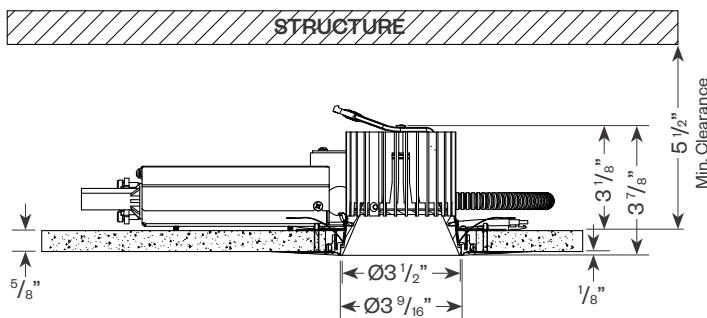
TYPE:

## Product Details - Remodeler Trimless



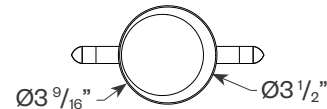
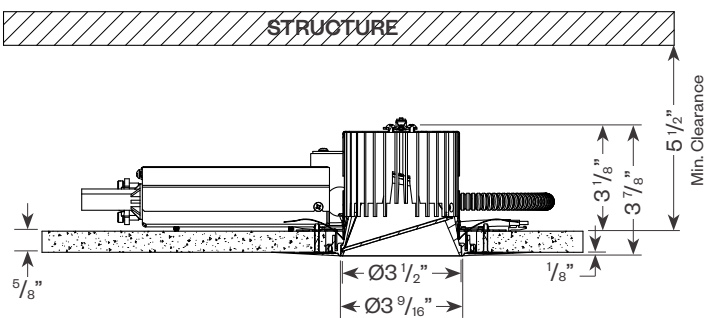
	Remodeler Trimless	
	RLD	RLW
A	6 <sup>13</sup> / <sub>16</sub> ”	7”
B	12 <sup>15</sup> / <sub>16</sub> ”	13 <sup>5</sup> / <sub>16</sub> ”

### Hornet HP Round Lensed Downlight (HDL-HP-RLD-TL)



Trimless Ceiling Cut Out: 4 1/2" dia.

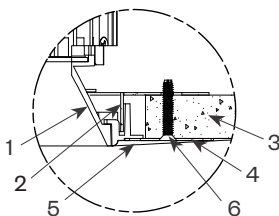
### Hornet HP Round Lensed Wall Wash (HDL-HP-RLW-TL)



Trimless Ceiling Cut Out: 4 1/2" dia.

### Plaster Frame Installation Detail (for remodeler trimless fixture only)

1. Reflector Trim
2. Aperture Plate
3. Ceiling 5/8"
4. Cast Aluminum Plaster Frame
5. Plaster Skim Coat (by others)
6. 6-32 Type F Thread Cutting Screw



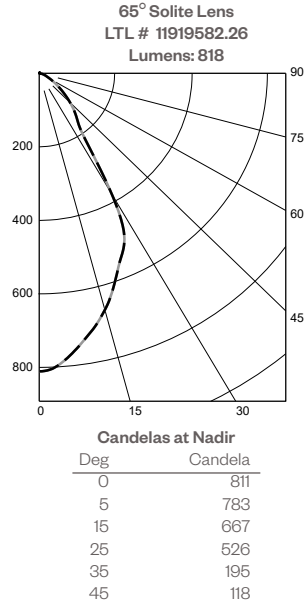
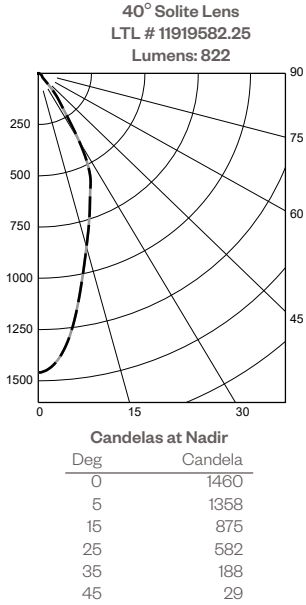
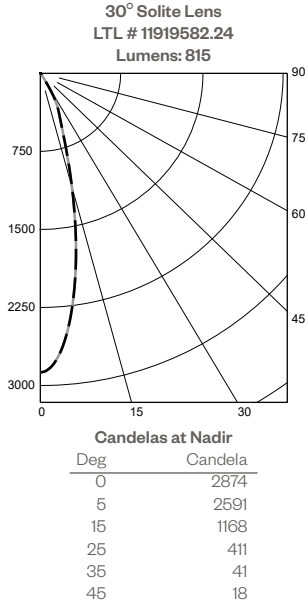
PROJECT:

TYPE:

### Performance Data - Round Lensed Downlight (HDL-HP-RLD-DTW)

(Complete photometric data (.ies format) available on website)

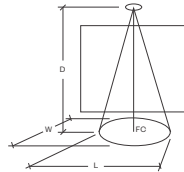
#### 15W LED, 3000K-95



### Application Data - Round Lensed Downlight (HDL-HP-RLD-DTW)

0° Aiming Angle  
Horizontal  
Footcandles

	D	FC	L	W
30° Solite Lens	5.0'	115	2.3	2.3
	7.5'	51	3.3	3.3
	10.0'	29	4.5	4.5
	12.5'	19	5.6	5.6
40° Solite Lens	5.0'	59	3.1	3.1
	7.5'	26	4.5	4.5
	10.0'	15	5.9	5.9
	12.5'	10	7.5	7.5
65° Solite Lens	5.0'	33	4.4	4.4
	7.5'	15	6.7	6.7
	10.0'	8	9.1	9.1
	12.5'	5	11.7	11.7



#### Notes and Definitions:

- Beam spread is to 50% center beam candlepower (CBCP).
- D**=Distance to floor or wall.
- FC**=Footcandles on floor or wall at center beam aiming location.
- L**=Effective Visual Beam length in feet (50% of maximum footcandle level).
- W**=Effective Visual Beam width in feet (50% of maximum footcandle level).



# Hornet® HP

Round Lensed Downlight/Wall Wash, Dim-To-Warm



PROJECT:

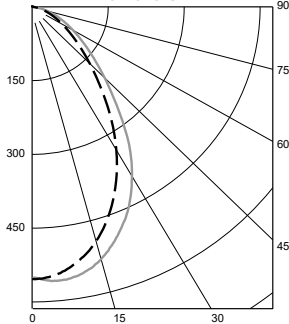
TYPE:

## Performance Data - Round Lensed Wall Wash (HDL-HP-RLW-DTW)

(Complete photometric data (.ies format) available on website)

15W LED, 3000K-95

LTL# 11919582.30  
Lumens: 841



**ZONAL LUMEN SUMMARY**

Zone	Lumens	%Fixt
0-40	544	64.7
0-60	761	90.5
0-90	841	100.0
90-180	0	0.0

Luminaire Efficacy: 56.9 lm/W

## Application Data - Round Lensed Wall Wash (HDL-HP-RLW-DTW)

Footcandles on Wall

Footcandles are average and rounded off. Data for multiple units are based on a minimum of five units.

1.5 Feet from Wall

Distance from ceiling	← 1.5' → ← 1.5' →				
	0.5'	1.5'	2.5'	3.5'	4.5'
0.5'	25	26	26	26	25
1.5'	49	51	52	51	49
2.5'	46	49	50	49	46
3.5'	32	35	37	35	32
4.5'	21	24	24	24	22
5.5'	15	17	17	17	15
6.5'	11	12	12	12	11
7.5'	9	9	10	9	9

1.5 Feet from Wall

Distance from ceiling	← 2' → ← 2' →						
	0.5'	1.5'	2.5'	3.5'	4.5'	5.5'	6.5'
0.5'	19	21	19	21	19	21	19
1.5'	37	40	39	41	38	40	37
2.5'	36	38	38	39	38	38	36
3.5'	25	27	28	28	28	27	26
4.5'	17	19	20	20	20	19	18
5.5'	12	14	14	14	14	14	13
6.5'	9	10	11	11	11	10	10
7.5'	7	8	8	9	9	8	8

2 Feet from Wall

Distance from ceiling	← 2' → ← 2' →						
	0.5'	1.5'	2.5'	3.5'	4.5'	5.5'	6.5'
0.5'	11	12	12	12	12	12	11
1.5'	25	26	26	27	27	27	25
2.5'	29	31	31	32	31	31	29
3.5'	25	26	27	28	27	27	25
4.5'	19	21	21	22	21	21	19
5.5'	14	15	16	16	16	16	14
6.5'	11	12	13	13	13	12	11
7.5'	9	9	10	10	10	10	9

# Hornet® HP

Round Lensed Downlight/Wall Wash, **Dim-To-Warm**



**PROJECT:**

**TYPE:**

## Dimming Compatibility

Amerlux® Hornet® fixtures are compatible with all major dimming protocols prevalent in the United States. Please see below for general compatibilities and wiring diagrams. Amerlux recommends testing your unique dimming configuration as the exact full configuration (Dimmer, Fixture Quantity, Voltage, etc) may affect dimming performance.

**--- NOTE: INFORMATION BELOW IS FOR WIRED DIMMERS ONLY. FOR WIRELESS DIMMERS, CONSULT FACTORY ---**

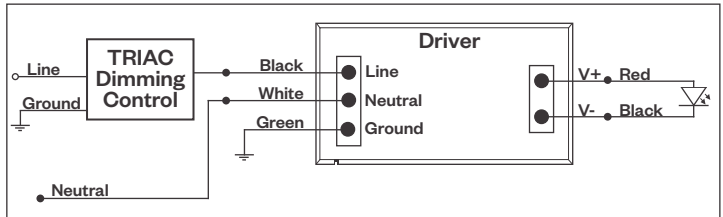
### TRIAC (Forward Phase) DIMMING (Standard)

Utilizes standard TRIAC dimmers that are in wide use in installations across the US. Best for retrofit applications where TRIAC dimmers are installed.

**Notes:**

- 120VAC or 277VAC\*
- Dims down to 5% light output (most cases)
- Consult Dimming manufacturer for installation instructions - **DO NOT SHARE NEUTRALS!**
- Must meet dimmer Minimum Load Requirements per dimming manufacturer

### TRIAC Wiring Diagram



Compatible Dimmers†:	
Wall Box (TRIAC 120VAC)	Central System
Lutron "Diva"	Lutron "GP" Panel
Lutron "Nova-T"	Lutron Grafik Eye QS
Lutron "Maestro"	
Lutron "Skylark"	

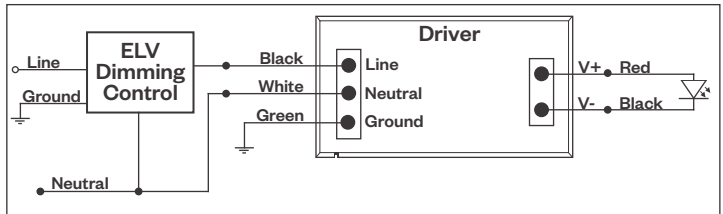
### ELV - Electronic Low Voltage (Reverse Phase) DIMMING (Standard)

Utilizes specialized "ELV" dimmers.

**Notes:**

- 120VAC or 277VAC\*
- Dims down to 5% light output (most cases)
- Consult Dimming manufacturer for installation instructions - **DO NOT SHARE NEUTRALS!**
- Must meet dimmer Minimum Load Requirements per dimming manufacturer

### ELV Wiring Diagram



Compatible Dimmers†:		
Wall Box (ELV 120VAC)	Wall Box (ELV 277VAC)	Central System
Lutron "Diva"	Leviton Revoir II AWSMT-E	Lutron "GP" Panel with PHPM-PA 120/277VAC
Lutron "Nova-T"		Lutron Grafik Eye QS with PHPM-PA 120/277VAC
Lutron "Maestro"		
Lutron "Skylark"		
Leviton "Surslide"		
Leviton "Vizio"		

**Notes:**  
 \* Driver is 277VAC dimmable with appropriate dimmer (by others). All provided wiring diagrams show 120VAC wiring colors and method. Please refer to 277VAC dimmer installation instructions for 277VAC wiring diagrams.  
 † The absence of a dimmer from the lists above does not imply incompatibility. Please consult factory for compatibility inquiries.

# Hornet® HP

Round Lensed Downlight/Wall Wash, **Dim-To-Warm**



**PROJECT:**

**TYPE:**

## Dimming Compatibility *(continued)*

Amerlux® Hornet® fixtures are compatible with all major dimming protocols prevalent in the United States. Please see below for general compatibilities and wiring diagrams. Amerlux recommends testing your unique dimming configuration as the exact full configuration (Dimmer, Fixture Quantity, Voltage, etc) may affect dimming performance.

**--- NOTE: INFORMATION BELOW IS FOR WIRED DIMMERS ONLY. FOR WIRELESS DIMMERS, CONSULT FACTORY ---**

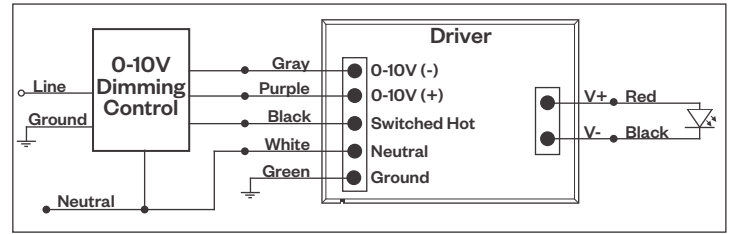
### 0-10V DIMMING

Integrates into a variety of building management and daylighting controls

**Notes:**

- 120VAC or 277VAC\*
- Dims down to 1% light output
- Requires interface to turn off power to driver
- Consult Dimming manufacturer for installation instructions - **DO NOT SHARE NEUTRALS!**

### 0-10V Wiring Diagram



**Compatible Dimmers\*:**

Wall Box	Central System
Lutron "Diva" - DVSTV	Lutron Grafik Eye with GRX-TV1 Interface

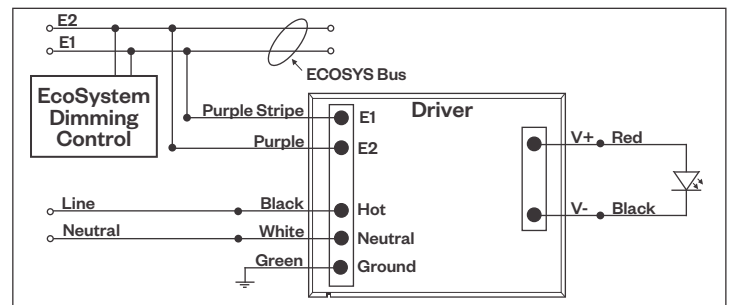
### LUTRON LDE1 DIMMING

Integrates into Lutron EcoSystem building management

**Notes:**

- 120VAC or 277VAC\*
- Dims down to 1% light output
- EcoSystem Control
- Consult Dimming manufacturer for installation instructions - **DO NOT SHARE NEUTRALS!**

### LDE1 (HILUME-H-ECO) EcoSystem Digital Control Wiring Diagram



**Compatible Dimmers\*:**

Lutron ECO System	Central System
Pow Pak Dimming Modules	Lutron EcoSystem compatible controls
Energj Savr Node	
Grafik Eye QS/Homeworks	
QS Control Unit	
Quantum Hub	
Homeworks QS/My Room	

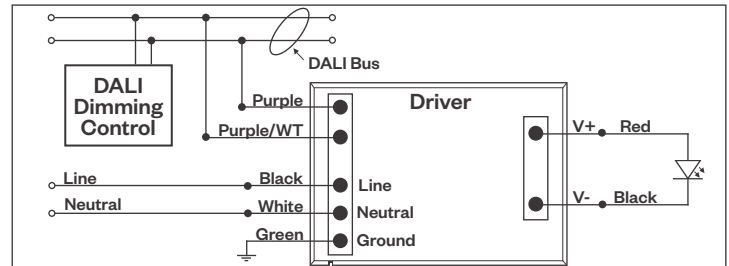
### DALI DIMMING

Digital control protocol allows individual fixture control

**Notes:**

- 120VAC - 277VAC\*
- Dims down to 1% light output in most cases

### DALI Wiring Diagram



**Notes:**

\* Driver is 277VAC dimmable with appropriate dimmer (by others). All provided wiring diagrams show 120VAC wiring colors and method. Please refer to 277VAC dimmer installation instructions for 277VAC wiring diagrams.

† The absence of a dimmer from the lists above does not imply incompatibility. Please consult factory for compatibility inquiries.

# Hornet® HP

Round Lensed Downlight/Wall Wash, **Dim-To-Warm**



<b>PROJECT:</b>	<b>TYPE:</b>
-----------------	--------------

**Emergency Battery Pack**

**Wiring Diagram**

