

INSTRUCTION SHEET



**P/N
689-0566**

INSTALLATION OF CLASSIX REMODLER

PAGE 1 OF 2

WARNING - RISK OF FIRE AND ELECTRICAL SHOCK. FIXTURE MUST BE INSTALLED BY A QUALIFIED ELECTRICIAN ONLY. FIXTURE IS INTENDED FOR INSTALLATION IN ACCORDANCE WITH THE NATIONAL ELECTRICAL CODE, LOCAL AND FEDERAL SPECIFICATIONS. DISCONNECT POWER AT ELECTRICAL PANEL BEFORE SERVICING.

RETAIN THESE INSTRUCTIONS FOR MAINTENANCE REFERENCE.

SHEETROCK CEILING TYP
- BY OTHERS

STEP 1
SLIDE POINTED BRACKETS INWARD
UNTIL POINT IS INSIDE RING
REMOVE WING NUT AND SAVE
OPEN RING FULLY

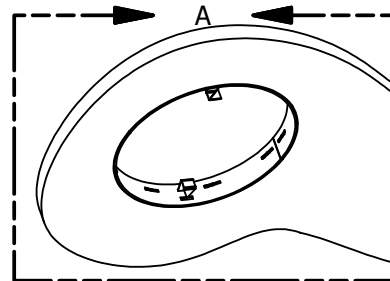
STEP 2
PASS RING UP
THROUGH CEILING HOLE

CLOSE RING BY INSERTING
PEM STUD INTO HOLE

STEP 3
SECURE REMODELER TO SHEETROCK
CEILING BY DRIVING POINTED BRACKETS
OUTWARD UNTIL FLAT AGAINST RING

IF NEEDED PLACE SHIMS UNDER RING
TO INSURE BOTTOM EDGE OF
APERTURE IS EVEN WITH CEILING

DETAIL A
SCALE 1 / 4



Amerlux, 178 Bauer Drive, Oakland, N.J. 07436, T: 973-882-5010, F: 973-882-2604 www.amerlux.com

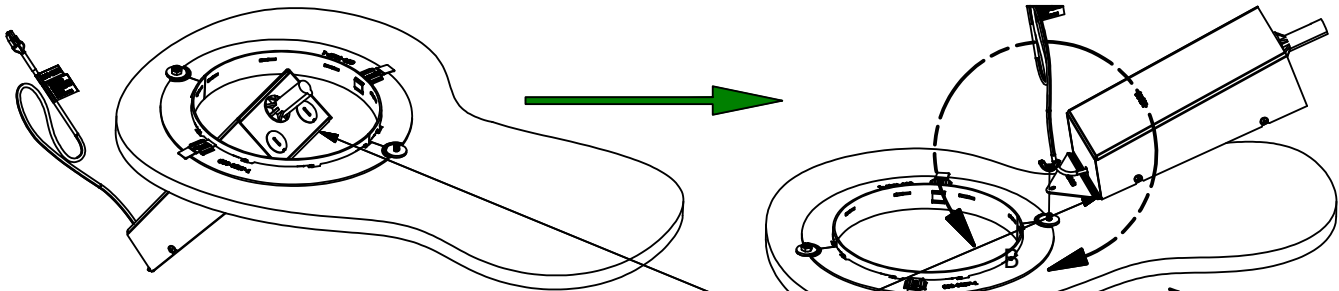
REVISION

DATE

APPROVED

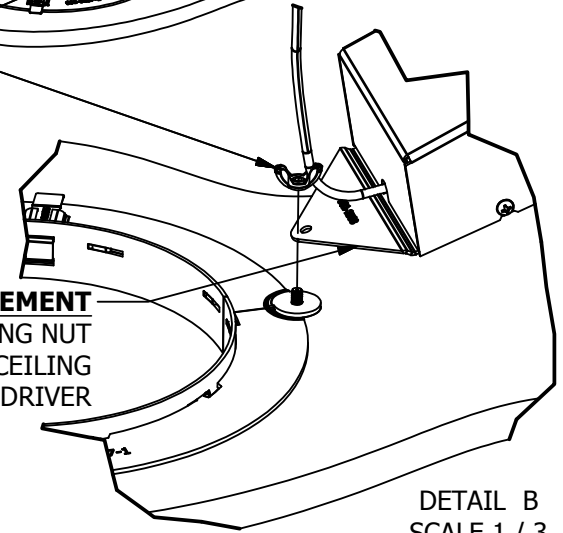
WARNING - RISK OF FIRE AND ELECTRICAL SHOCK. FIXTURE MUST BE INSTALLED BY A QUALIFIED ELECTRICIAN ONLY. FIXTURE IS INTENDED FOR INSTALLATION IN ACCORDANCE WITH THE NATIONAL ELECTRICAL CODE, LOCAL AND FEDERAL SPECIFICATIONS. DISCONNECT POWER AT ELECTRICAL PANEL BEFORE SERVICING.

RETAIN THESE INSTRUCTIONS FOR MAINTENANCE REFERENCE.

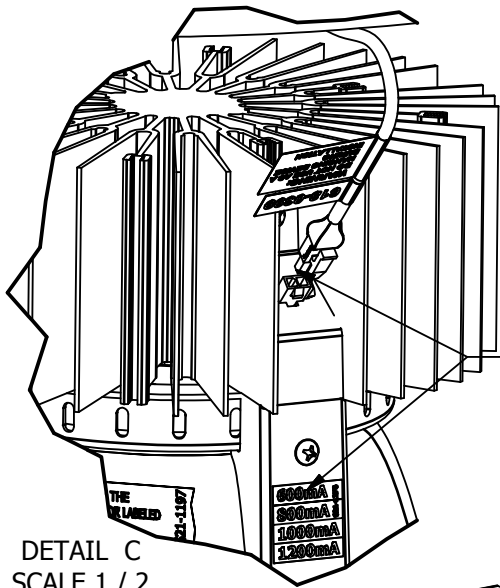


STEP 4 PASS LED DRIVER BOX UP THROUGH CEILING. POSITION BOX BY PLACING BOX MOUNTING HOLE ON PEM STUD OF FULL RING ASSEMBLY
STEP 5 SCREW ON WING NUT TO SECURE

DRIVER REPLACEMENT
REMOVE WING NUT
LOWER WIRE BOX BELOW CEILING
REMOVE COVER TO ACCESS DRIVER



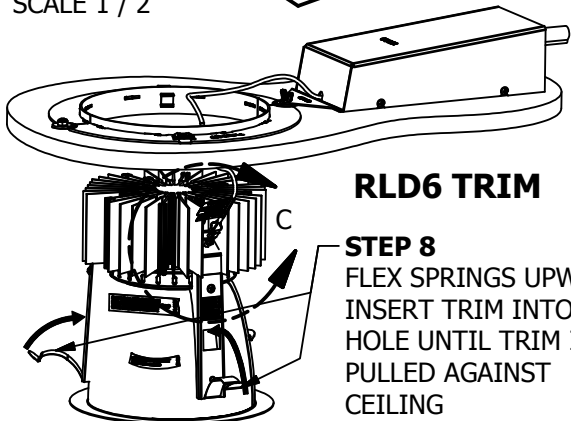
DETAIL B
SCALE 1 / 3



STEP 6 CHECK THE LABEL SHOWING THE DRIVER CURRENT RATING IS THE SAME ON BOTH THE FRAME AND TRIM
STEP 7 SNAP TOGETHER POWER CABLE ENDS
DO NOT USE CABLE AS HANGING DEVICE

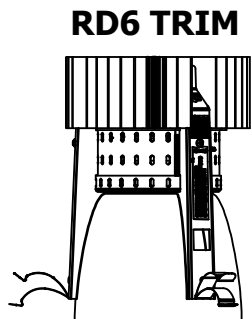
DETAIL C
SCALE 1 / 2

TRIM INSTALLATION

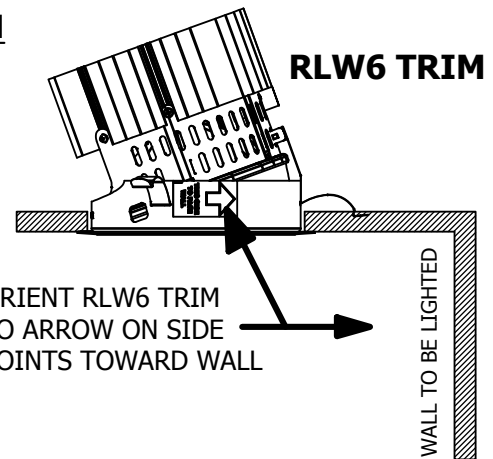


RLD6 TRIM

STEP 8
FLEX SPRINGS UPWARD. INSERT TRIM INTO HOLE UNTIL TRIM IS PULLED AGAINST CEILING



RD6 TRIM



RLW6 TRIM

ORIENT RLW6 TRIM SO ARROW ON SIDE POINTS TOWARD WALL

WALL TO BE LIGHTED