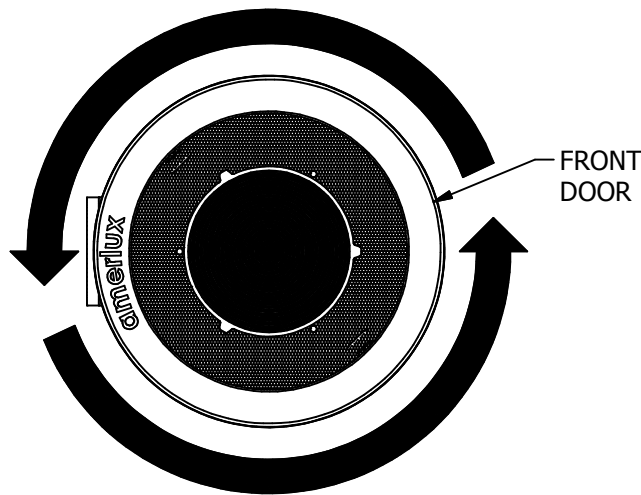


**WARNING - RISK OF FIRE AND ELECTRICAL SHOCK. FIXTURE MUST BE INSTALLED BY A QUALIFIED ELECTRICIAN ONLY. FIXTURE IS INTENDED FOR INSTALLATION IN ACCORDANCE WITH THE NATIONAL ELECTRICAL CODE, LOCAL AND FEDERAL SPECIFICATIONS. DISCONNECT POWER AT ELECTRICAL PANEL BEFORE SERVICING.**

**RETAIN THESE INSTRUCTIONS FOR MAINTENANCE REFERENCE.**

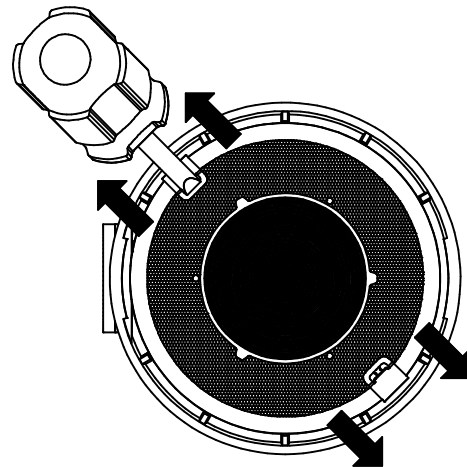
### 1. REMOVE FRONT DOOR

TURN FRONT DOOR COUNTERCLOCK WISE AND REMOVE



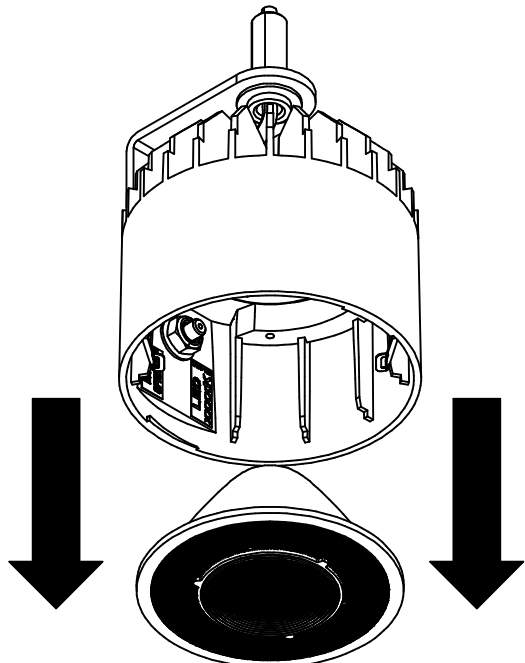
### 2. COMPRESS CLIPS

COMPRESS BOTH CLIPS TO RELEASE OPTICS



**WARNING: IF USING A SCREW DRIVER OR ANOTHER TOOL, USE CAUTION NOT TO SCRATCH THE OPTIC.**

### 3. REMOVE OPTIC



### 4. INSERT NEW OPTIC AND REASSEMBLE IN REVERSE ORDER

