

### LIN2.5DI & LIN2.5D CABLE MOUNTED PENDANT

**WARNING - RISK OF FIRE AND ELECTRICAL SHOCK. FIXTURE MUST BE INSTALLED BY A QUALIFIED ELECTRICIAN ONLY. FIXTURE IS INTENDED FOR INSTALLATION IN ACCORDANCE WITH THE NATIONAL ELECTRICAL CODE, LOCAL AND FEDERAL SPECIFICATIONS. DISCONNECT POWER AT ELECTRICAL PANEL BEFORE SERVICING.**

**FOR RUNS WIRED FOR EM - UNIT HAS MORE THAN ONE POWER SUPPLY CONNECTION POINT. TO REDUCE THE RISK OF ELECTRIC SHOCK, DISCONNECT BOTH THE BRANCH CIRCUIT-BREAKERS OR FUSES AND EMERGENCY/BACKUP POWER SUPPLIES BEFORE SERVICING**

**RETAIN THESE INSTRUCTIONS FOR MAINTENANCE REFERENCE.**

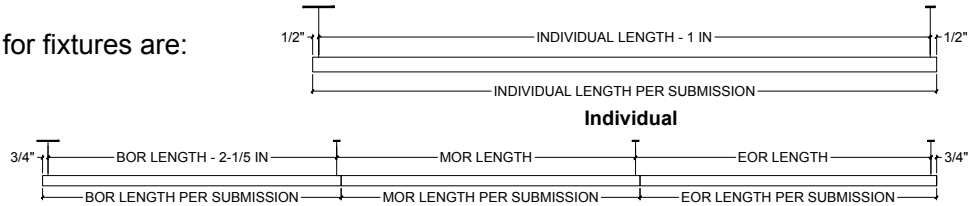
#### Pre-installation Note:

Supplied by others: - 4" octagonal junction boxes

Supplied by Amerlux: - canopies

- suspension cable

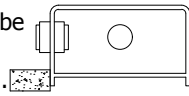
Suspension points for fixtures are:



Example of continuous row

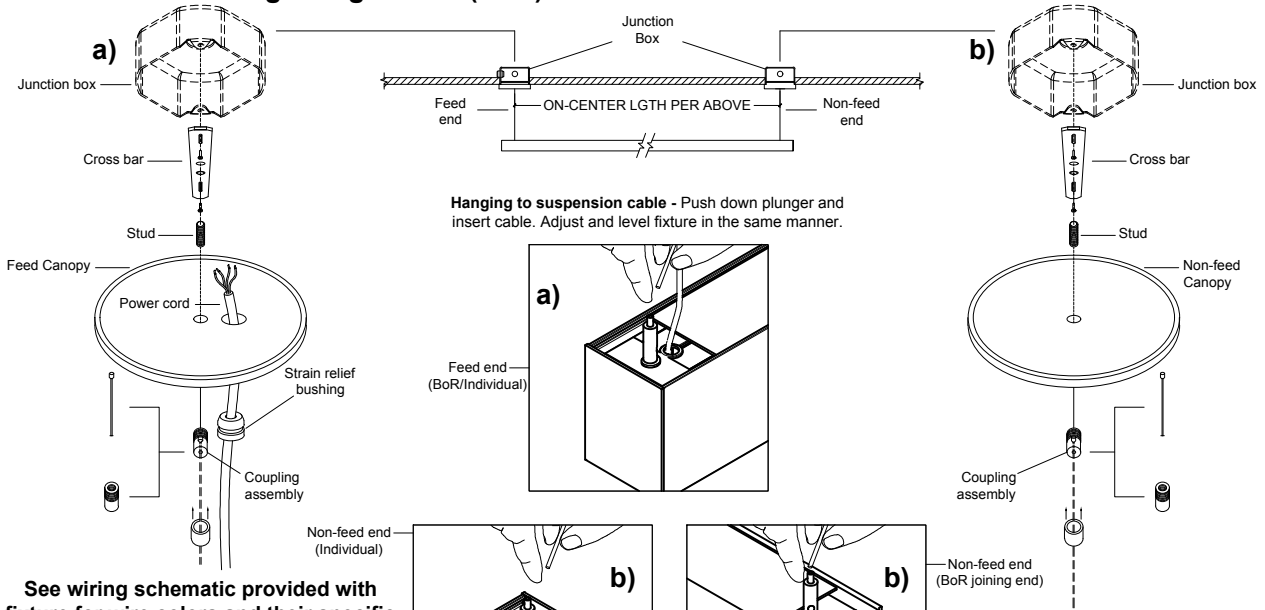
**Refer to general contractor/ electrician layout** for proper location of mounting points/ locations for junction boxes.

**1. Install junction box(es)** - The junction box should be regressed as shown to make sure that the canopy cover sits flush with the ceiling when install is finished.



**Fixtures sharing regular and EM power in single feed:** Junction box must be partitioned per local and national electric codes.

#### 2. Individual and Beginning of Run (BoR) Install:



**Hanging to suspension cable** - Push down plunger and insert cable. Adjust and level fixture in the same manner.

See wiring schematic provided with fixture for wire colors and their specific functions as different fixture options may use wires for different purposes.

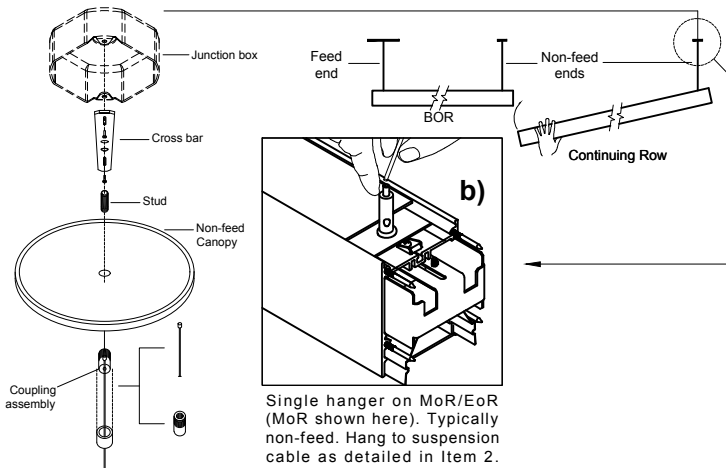
**DO NOT CONNECT CONTROL WIRES TO LINE VOLTAGE.**

Amerlux is not liable for damage due to miswiring.

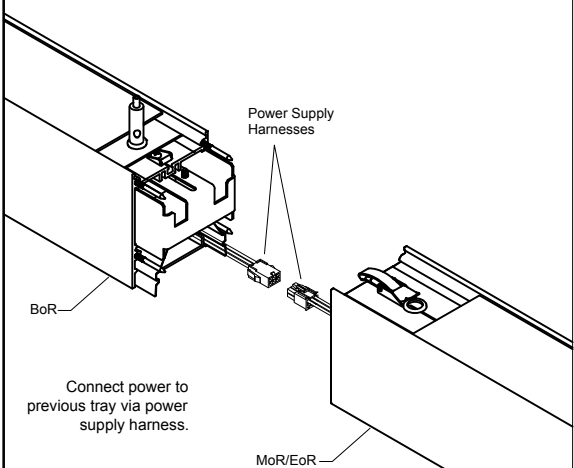
Contact factory with any questions.

Tape used to secure indirect lens during shipping. Remove after installation.

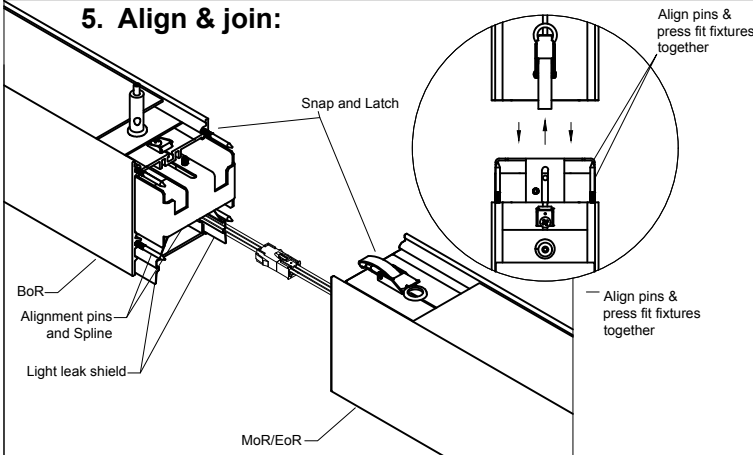
#### 3. Hang MoR/EoR:



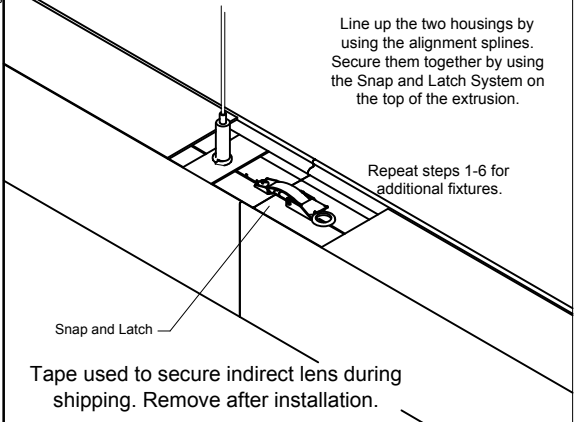
#### 4. Connect power:



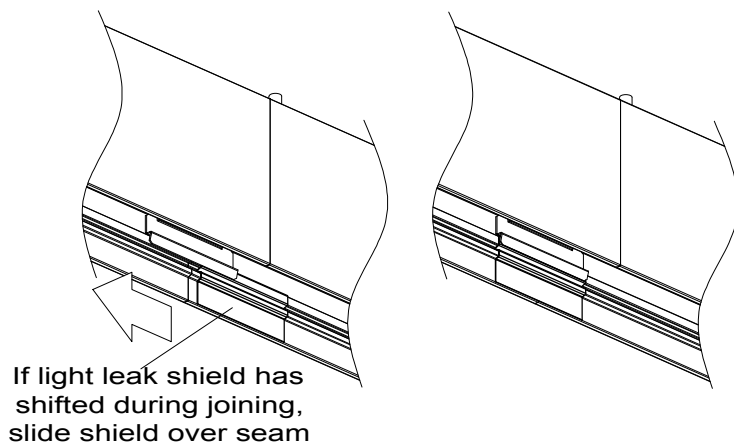
#### 5. Align & join:



#### 6. Secure fixtures/joint

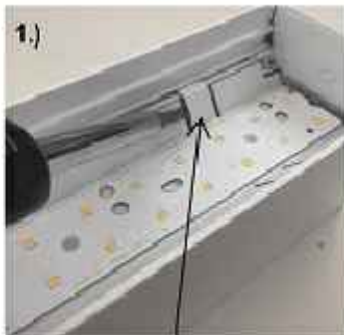


#### 7. Check light leak shield



**MAKE SURE TO DISCONNECT ALL ELECTRICAL CONNECTIONS BEFORE MAINTENANCE.**

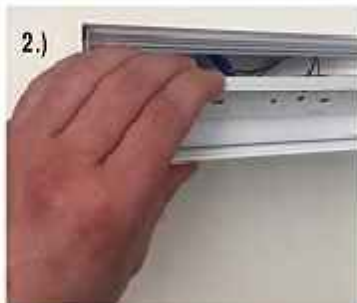
1.) LED Fixture:



1.) USE FLATHEAD TO GENTLY PRY TAB. UNDO BOTH TABS ON SAME SIDE FIRST.



3.) LOCATE GROOVE TO REINSTALL REFLECTOR



1.) REFLECTOR IS LOCATED BENEATH SNAP-IN LENS, SECURED BY (2) CLIPS ON BOTH SIDES. LOCATE THE CLIPS HOLDING THE REFLECTOR IN PLACE AND GENTLY PRY THE CLIPS AWAY FROM THE GROOVE SLIGHTLY, AS TO NOT BEND COMPLETELY OUT OF SHAPE. THIS CAN BE DONE WITH THE HELP OF A FLAT HEAD SCREW DRIVER.

2.) ONCE YOU HAVE PRIED ONE SIDE OUT OF THE GROOVE THE REFLECTOR SHOULD EASILY COME OUT OF THE HOUSING. IF NOT, LIGHTLY PULL TOWARDS YOU ON THE SIDE YOU HAVE UN-CLIPED AND THIS WILL ALLOW REFLECTOR TO GENTLY COME OUT.

3.) TO REINSTALL LOCATE GROOVE THAT PREVIOUSLY HELD CLIP IN PLACE AND TILT REFLECTOR INTO PLACE ON ONE SIDE

4.) ONCE IN THE CORRECT POSITION, GENTLY RE-CLIP OPPOSITE SIDE INTO GROOVE, REQUIRES MINIMAL PRESSURE.

**MAKE SURE TO DISCONNECT ALL ELECTRICAL CONNECTIONS BEFORE MAINTENANCE.**