



AMERLUX[®]
LIGHTING SOLUTIONS

ADAPT. ABILITY.™

INSTALLATION INSTRUCTIONS
SHEET #: 689-0755

SPEC. SHEET
REFERENCE:

LIN2.5D SM (SURFACE MOUNT)

SURFACE MOUNTED FOR INDIVIDUAL FIXTURES OR CONTINUOUSLY ROW MOUNTED

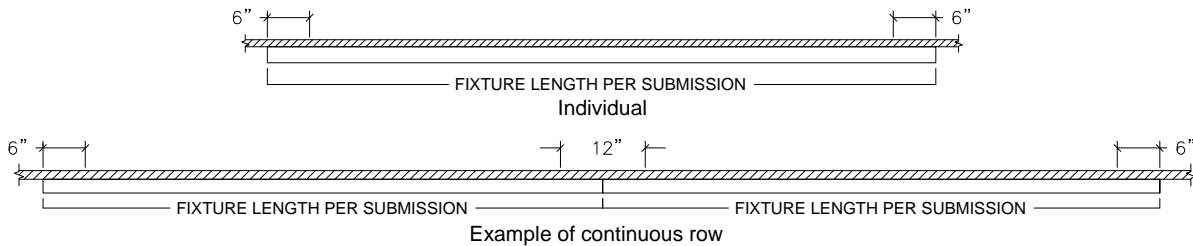
WARNING - RISK OF FIRE AND ELECTRICAL SHOCK. FIXTURE MUST BE INSTALLED BY A QUALIFIED ELECTRICIAN ONLY. FIXTURE IS INTENDED FOR INSTALLATION IN ACCORDANCE WITH THE NATIONAL ELECTRICAL CODE, LOCAL AND FEDERAL SPECIFICATIONS. DISCONNECT POWER AT ELECTRICAL PANEL BEFORE SERVICING .
RETAIN THESE INSTRUCTIONS FOR MAINTENANCE REFERENCE.

Pre-installation Note:

Supplied by others: - feed conduits

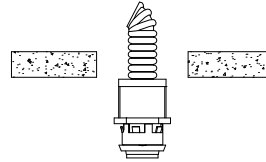
Supplied by Amerlux: - pre-drilled mounting points @ 6" from ends of fixture

Suggested suspension points for fixtures are:

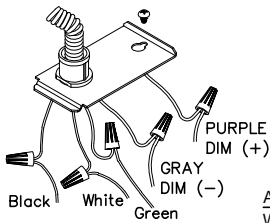


Refer to general contractor/ electrician layout for proper location of mounting points/ locations for feed conduits.

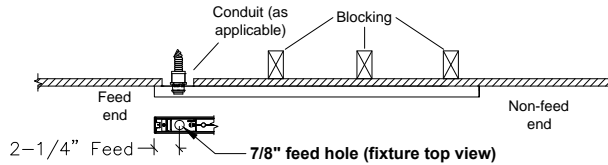
1. Install feed conduit(s) - Make sure fixture can sit flush with ceiling.



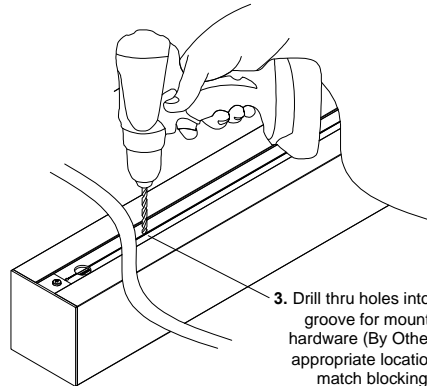
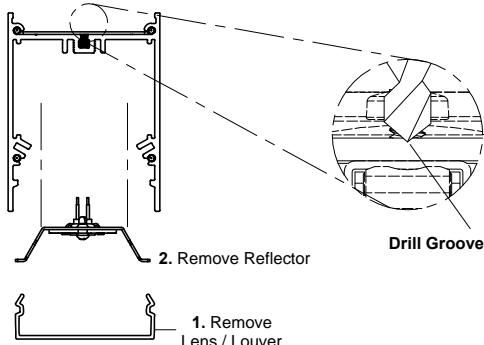
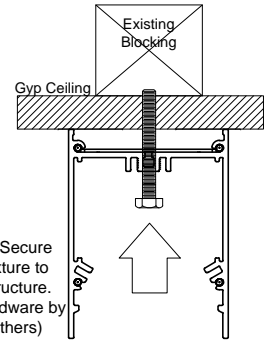
2. Individual and Beginning of Run Install*-



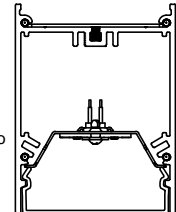
ACCESS PLATE DETAIL WIRING CONNECTION
0-10V DIM shown. For non-DIM applications cap Purple (+) and Gray (-). Wire nuts supplied by others.



***Note - Fixture mounting points are pre-drilled 6" in from ends of fixtures. If alternate mounting points are req'd, drill & mount as necessary as shown here.**



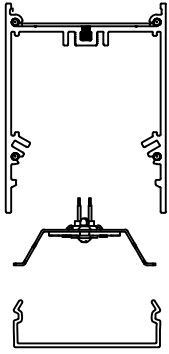
5. Re-assemble Fixture (IND Only. For Runs, continue to other side)



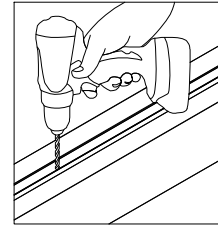


3. Hang Continuing Fixtures - After the BOR has been installed:

a.

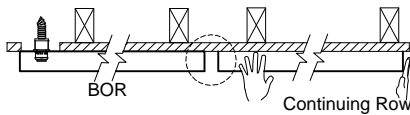
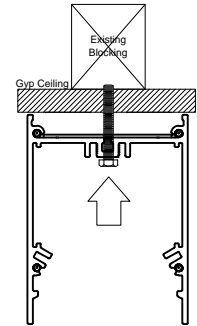
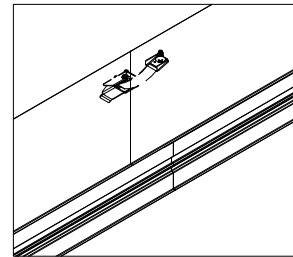
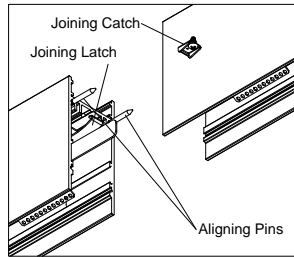


Prep Fixture for Mounting - Remove reflector tray assembly & drill holes in appropriate mounting locations if necessary (per contractor)*



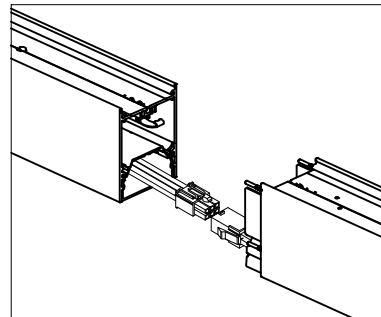
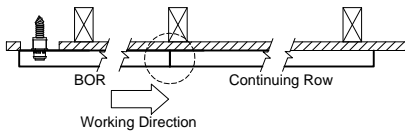
b.

Join Fixtures Together
- Use the aligning pins to engage and secure with Catch/Latch. Then secure to ceiling via mounting hardware (By others)

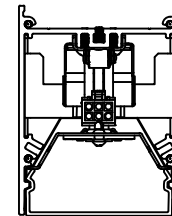


C. Re-Assembly and Power -

Install BoR reflector tray and connect power. Moving down the line (see working direction) connect the next tray to power and install. Repeat until End of Run.



Re-Assembled Section View



MAKE SURE TO DISCONNECT ALL ELECTRICAL CONNECTIONS BEFORE RELAMPING .

WARNING: Electrostatic and polarity sensitive device. Use caution while handling and wiring.

1.) LED Fixture:

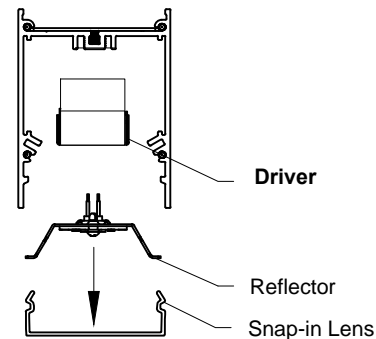
Consult Amerlux for LED maintenance.

2.) LED Replacement:

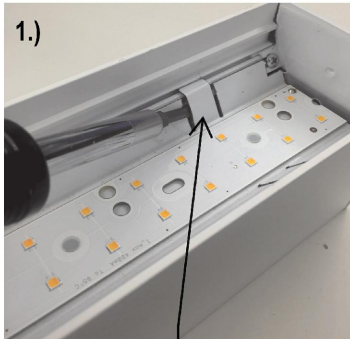
For LED board replacement reference 689-0500 Instruction Sheet.

3.) Driver maintenance:

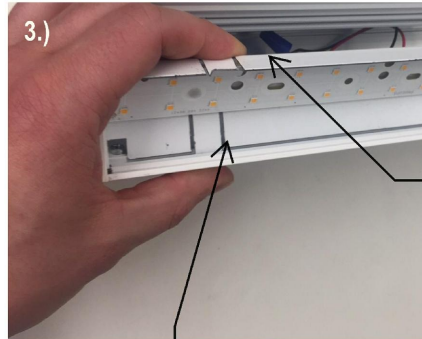
Drivers are located on tray beneath direct reflectors, (1) driver per tray, secured by (2) #8 pal nuts. Remove the reflector mounting screws to access. For **programmable** driver replacement please specify: **Manufacturer, Model No. and Current Setting** (mA). For drivers with **external** resistors, keep driver resistor value during driver maintenance or replacement.



See 710-0134 Wiring Schematic for more details.

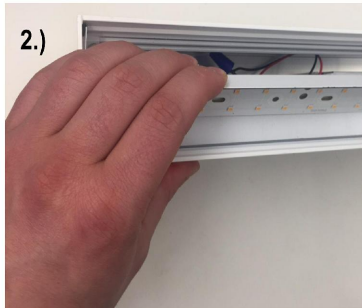


1.) USE FLATHEAD TO GENTLY PRY TAB . UNDO BOTH TABS ON SAME SIDE FIRST .



3.) LOCATE GROOVE TO REINSTALL REFLECTOR

PUSH OPPOSITE SIDE BACK INTO PLACE AND SECURE REFLECTOR



2.)



4.)

1.) REFLECTOR IS LOCATED BENEATH SNAP-IN LENS, SECURED BY (2) CLIPS ON BOTH SIDES. LOCATE THE CLIPS HOLDING THE REFLECTOR IN PLACE AND GENTLY PRY THE CLIPS AWAY FROM THE GROOVE SLIGHTLY, AS TO NOT BEND COMPLETELY OUT OF SHAPE. THIS CAN BE DONE WITH THE HELP OF A FLAT HEAD SCREW DRIVER.

2.) ONCE YOU HAVE PRIED ONE SIDE OUT OF THE GROOVE THE REFLECTOR SHOULD EASILY COME OUT OF THE HOUSING. IF NOT, LIGHTLY PULL TOWARDS YOU ON THE SIDE YOU HAVE UN-CLIPED AND THIS WILL ALLOW REFLECTOR TO GENTLY COME OUT.

3.) TO REINSTALL LOCATE GROOVE THAT PREVIOUSLY HELD CLIP IN PLACE AND TILT REFLECTOR INTO PLACE ON ONE SIDE

4.) ONCE IN THE CORRECT POSITION, GENTLY RE-CLIP OPPOSITE SIDE INTO GROOVE, REQUIRES MINIMAL PRESSURE.

MAKE SURE TO DISCONNECT ALL ELECTRICAL CONNECTIONS BEFORE RELAMPING .