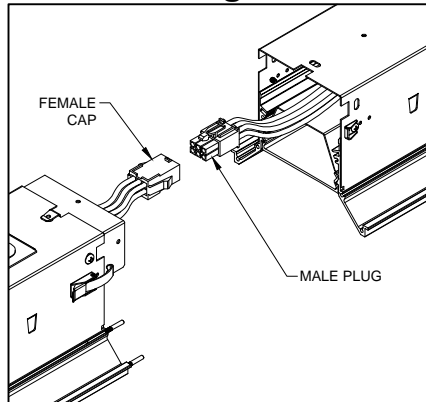
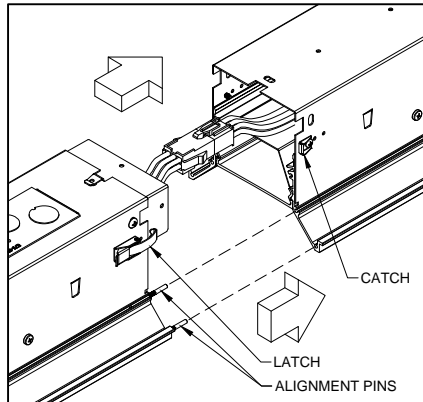




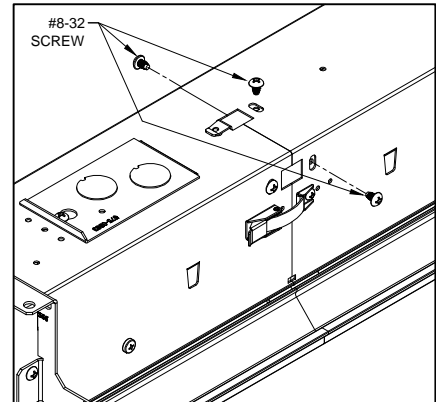
II. Assembling Continuous Rows-



A. Connect fixture to previous fixture's power via quick connect.

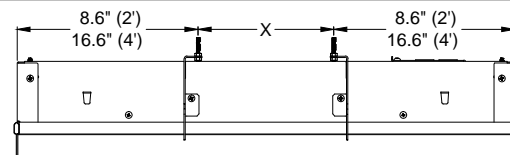


B. Line up the fixtures using alignment pins and secure with catch/latch.

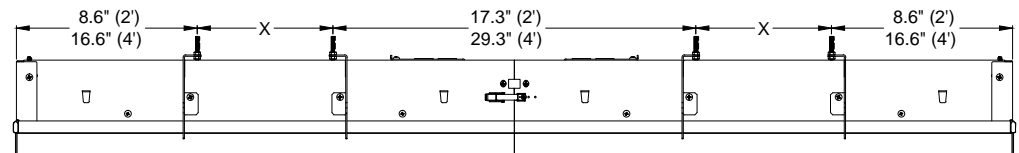


C. Once latched, secure fixture with #8-32 screws.

III. Suspension Points

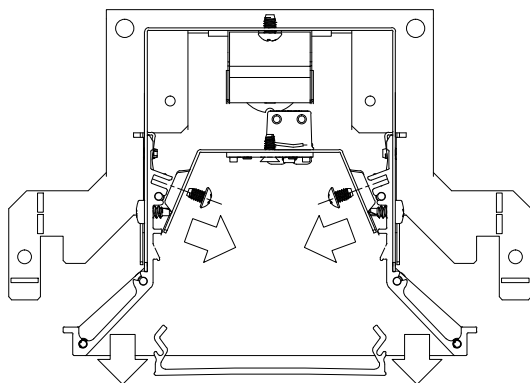


Individual:

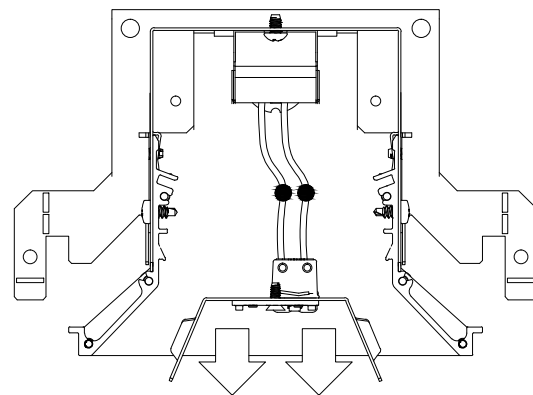


Continuous row:

IV. Reflector Assembly Removal - (Only required to access driver. Power down fixture before doing ANY maintenance.)



1. Remove lens.
2. Remove reflector mounting screws.



3. Remove reflector assembly.
4. Disconnect LED harness.

-To reassemble fixture, follow instructions in reverse-

MAKE SURE TO DISCONNECT ALL ELECTRICAL CONNECTIONS BEFORE SERVICING.

MAINTENANCE

1. **Install correct LEDs.** See sheet 689-0394 for LED Replacement info.
2. **Driver maintenance.** Drivers are mounted to housing. Remove the screws mounting the reflector to access (see above).