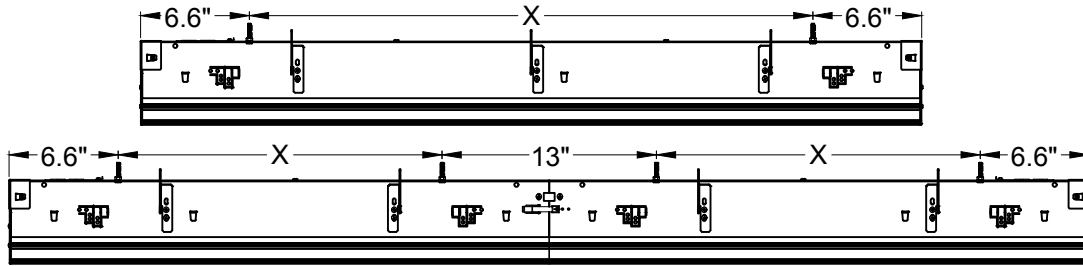


WARNING - RISK OF FIRE AND ELECTRICAL SHOCK. FIXTURE MUST BE INSTALLED BY A QUALIFIED ELECTRICIAN ONLY. FIXTURE IS INTENDED FOR INSTALLATION IN ACCORDANCE WITH THE NATIONAL ELECTRICAL CODE, LOCAL AND FEDERAL SPECIFICATIONS. DISCONNECT POWER AT ELECTRICAL PANEL BEFORE SERVICING.
RETAIN THESE INSTRUCTIONS FOR MAINTENANCE REFERENCE.

Suspension Points



Example of a continuous row

Individual Installation - J/GB fixture

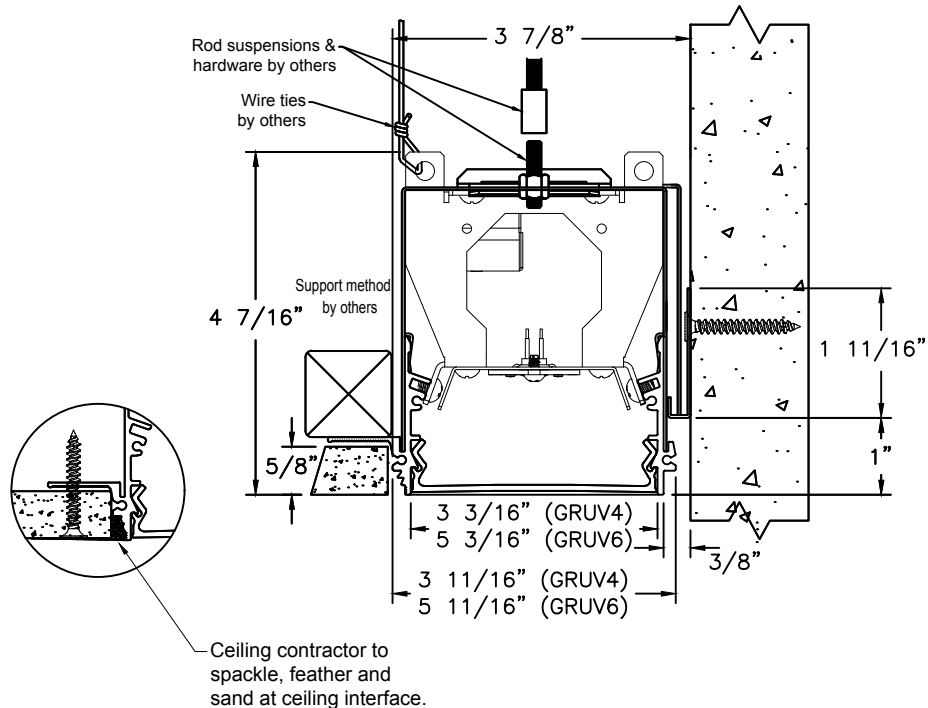
INSTALL "J" CHANNEL

- "J" channel may be supplied with the fixture or may be supplied separately.
- "J" channel is supplied in 4' and 8' lengths. For long rows one or more sections of the "J" channel must be field cut to size by installing contractor to fit the row length.
- Install "J" channel 1" above the finished ceiling plane as shown at left. Use suitable hardware.
- "J" channel straightness and trueness to architectural layout is contractor's responsibility.
- Fixture will rest in the "J" channel and on the grid as shown at left, and will be structurally stabilized and secured by A) grid clips, and B) 1/4-20 rod suspension & hardware (by others).

INSTALL FIXTURE

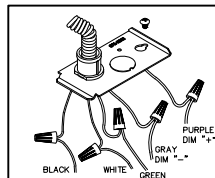
- Bring fixture to the wall with installed "J" channel as shown.
- Hang fixture on wall. Mate mounting brackets with "J" channel as shown.
- Secure fixture with 1/4-20 rods or wire ties.
- Make sure power is off at electrical panel. Make electrical connections via wiring access plate on top of fixture per NEC and local codes (see access plate detail below). $\phi 7/8"$ K.O.s provided in fixture ends for alternate feed locations.
- If fixture is BoR (Beginning of Run), go to sheet 4.
- Install ceiling (by others).
- Spackle, feather & sand at fixture-ceiling interface per detail at right.

FIXTURES TO BE INSTALLED PER NEC "MEANS OF SUPPORT" AND ALL FEDERAL, NATIONAL AND LOCAL BUILDING CODES.



See wiring schematic provided with fixture for wire colors and their specific functions as different fixture options may use wires for different purposes. **DO NOT CONNECT CONTROL WIRES TO LINE VOLTAGE.** Amerlux is not liable for damage due to miswiring.

Contact factory with any questions.



ACCESS PLATE DETAIL
FEED WIRING CONNECTIONS
0-10V DIM shown. For non-DIM applications cap Purple(+)/Gray(-) (wire nuts supplied by others).

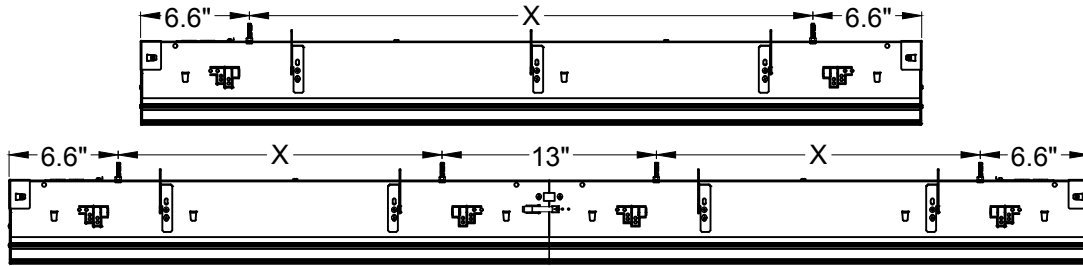
All Other Wiring (not Shown)
Refer to wiring diagram provided with fixture.

This product complies with IEEE C62.41 for surge endurance up to 3KV. Amerlux recommends using additional surge protection with this unit (supplied by others). surge damage is not covered by warranty.

To prevent possible LED damage always wear properly connected ESD (electrostatic discharge) wrist strap while servicing LED components.

WARNING - RISK OF FIRE AND ELECTRICAL SHOCK. FIXTURE MUST BE INSTALLED BY A QUALIFIED ELECTRICIAN ONLY. FIXTURE IS INTENDED FOR INSTALLATION IN ACCORDANCE WITH THE NATIONAL ELECTRICAL CODE, LOCAL AND FEDERAL SPECIFICATIONS. DISCONNECT POWER AT ELECTRICAL PANEL BEFORE SERVICING.
RETAIN THESE INSTRUCTIONS FOR MAINTENANCE REFERENCE.

Suspension Points



Example of a continuous row

Individual Installation - J/Grid fixture

INSTALL "J" CHANNEL

- "J" channel may be supplied with the fixture or may be supplied separately.
- "J" channel is supplied in 4' and 8' lengths. For long rows one or more sections of the "J" channel must be field cut to size by installing contractor to fit the row length.
- Install "J" channel **1" above the finished ceiling plane** as shown at left. Use suitable hardware.
- "J" channel straightness and trueness to architectural layout is contractor's responsibility.
- Fixture will rest in the "J" channel and on the grid as shown at left, and will be structurally stabilized and secured by A) grid clips, and B) 1/4-20 rod suspension & hardware or wire ties (by others).

FIXTURES TO BE INSTALLED PER NEC "MEANS OF SUPPORT" AND ALL FEDERAL, NATIONAL AND LOCAL BUILDING CODES.

INSTALL GRID

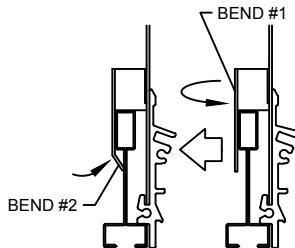
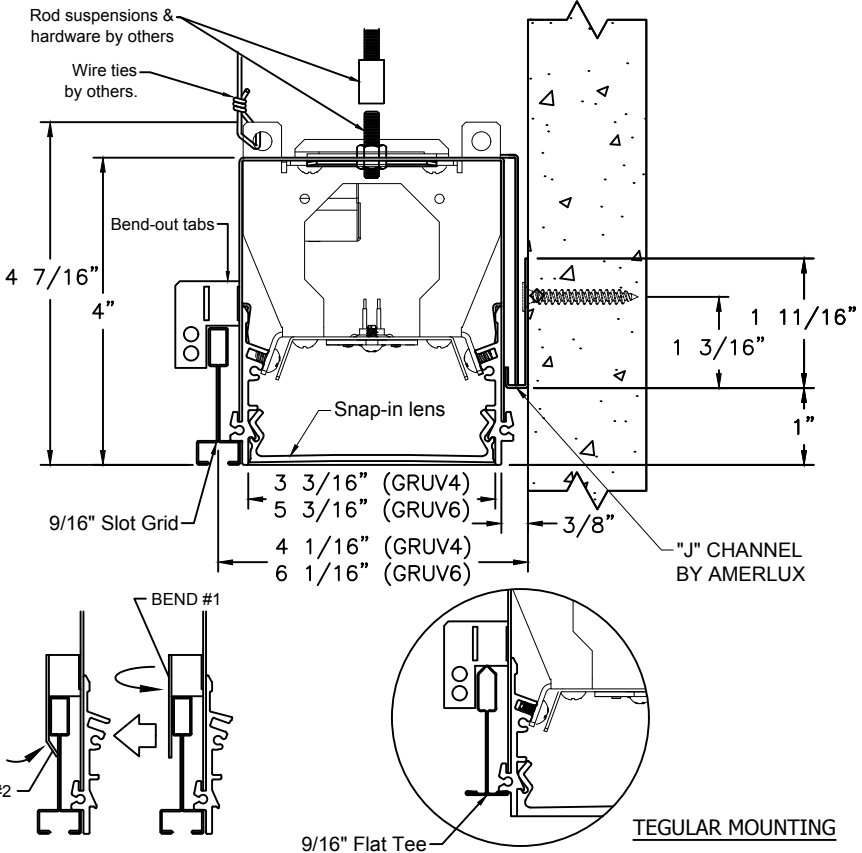
Mount lengthwise tees as shown at left:
4 1/16" from wall.

Tee mounting dimension must be held by installer for entire length of run.

Refer to layout for end-of-run tee mounting on-center dimensions.

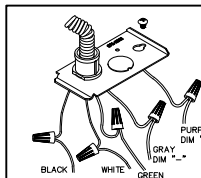
INSTALL FIXTURE

- Lift fixture into place above ceiling grid. Handle fixture carefully to avoid bowing and/or fixture distortion. Lower fixture onto ceiling grid and "J" angle, making sure flange rests on tee.
- Secure grid clips to tee. Hand-bend grid clip to press securely against side of tee (Bend #1) then beneath bulb of tee (Bend #2)
- Secure fixture to structure above via 1/4-20 rods & hardware (by others) or wire ties.
- Make sure power is off at electrical panel. Make electrical connections via wiring access plate on top of fixture per NEC and local codes (see access plate detail below). $\phi 7/8"$ K.O.s provided on fixture ends for alternate feed locations.
- If fixture is BoR (Beginning of Run), go to sheet 4.



See wiring schematic provided with fixture for wire colors and their specific functions as different fixture options may use wires for different purposes.
DO NOT CONNECT CONTROL WIRES TO LINE VOLTAGE.
 Amerlux is not liable for damage due to miswiring.

Contact factory with any questions.



ACCESS PLATE DETAIL
FEED WIRING CONNECTIONS
 0-10V DIM shown. For non-DIM applications cap Purple(+)/Gray(-) (wire nuts supplied by others).

All Other Wiring (not Shown)
 Refer to wiring diagram provided with fixture.

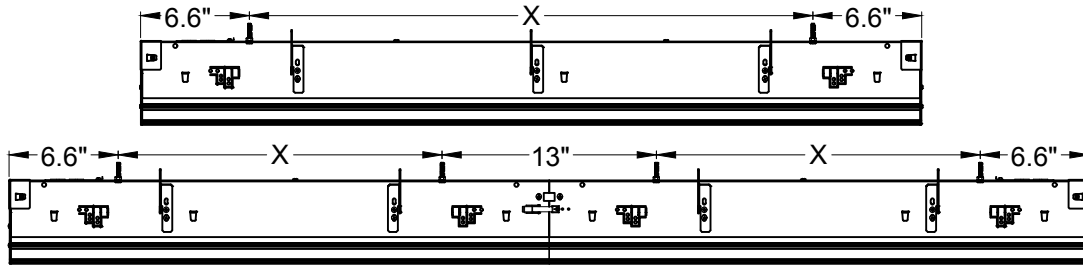
This product complies with IEEE C62.41 for surge endurance up to 3KV. Amerlux recommends using additional surge protection with this unit (supplied by others). surge damage is not covered by warranty.

To prevent possible LED damage always wear properly connected ESD (electrostatic discharge) wrist strap while servicing LED components.

WARNING - RISK OF FIRE AND ELECTRICAL SHOCK. FIXTURE MUST BE INSTALLED BY A QUALIFIED ELECTRICIAN ONLY. FIXTURE IS INTENDED FOR INSTALLATION IN ACCORDANCE WITH THE NATIONAL ELECTRICAL CODE, LOCAL AND FEDERAL SPECIFICATIONS. DISCONNECT POWER AT ELECTRICAL PANEL BEFORE SERVICING.

RETAIN THESE INSTRUCTIONS FOR MAINTENANCE REFERENCE.

Suspension Points



Example of a continuous row

Individual Installation - J/IS fixture

INSTALL "J" CHANNEL

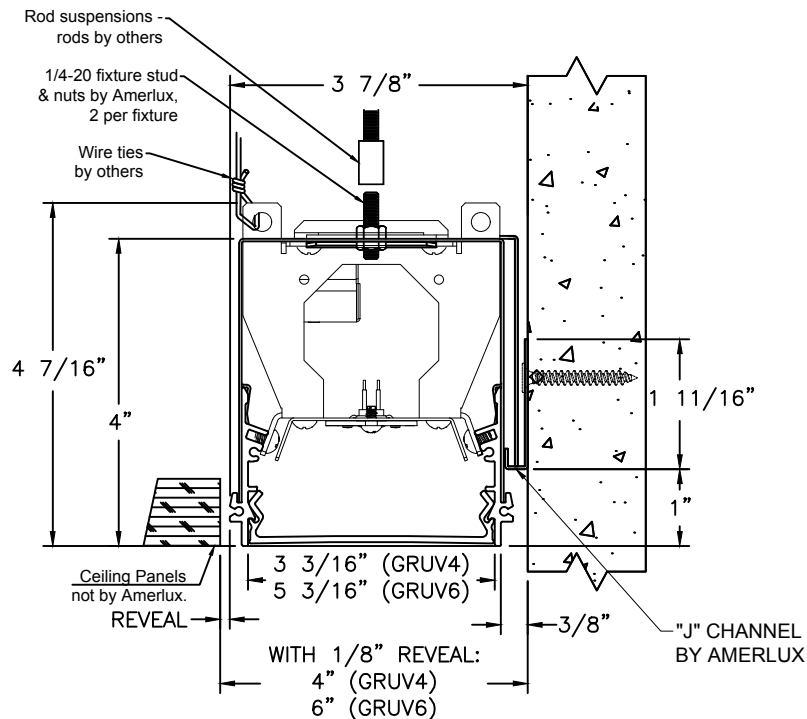
- "J" channel may be supplied with the fixture or may be supplied separately.
- "J" channel is supplied in 4' and 8' lengths. For long rows one or more sections of the "J" channel must be field cut to size by installing contractor to fit the row length.
- Install "J" channel 1" above the finished ceiling plane as shown at left. Use suitable hardware.
- "J" channel straightness and trueness to architectural layout is contractor's responsibility.
- Fixture will rest in the "J" channel and be structurally stabilized and secured by 1/4-20 rod suspension & hardware or wire ties (by others).

INSTALL FIXTURE

- Bring fixture to the wall with installed "J" channel as shown.
- Hang fixture on wall. Mate mounting brackets with "J" channel as shown.
- Attach 1/4-20 studs, 2 per fixture to building structural members with hardware (by others). Wire ties optional.
- Make sure power is off at electrical panel. Make electrical connections via wiring access plate on top of fixture per NEC and local codes (see access plate detail below). $\phi 7/8"$ K.O.s provided in fixture ends for alternate feed locations.
- If fixture is BoR (Beginning of Run), go to sheet 4.

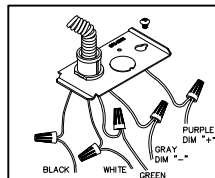
FIXTURES TO BE INSTALLED PER NEC "MEANS OF SUPPORT" AND ALL FEDERAL, NATIONAL AND LOCAL BUILDING CODES.

FIXTURES TO BE INSTALLED BEFORE FINISHED CEILING.



See wiring schematic provided with fixture for wire colors and their specific functions as different fixture options may use wires for different purposes. **DO NOT CONNECT CONTROL WIRES TO LINE VOLTAGE.** Amerlux is not liable for damage due to miswiring.

Contact factory with any questions.



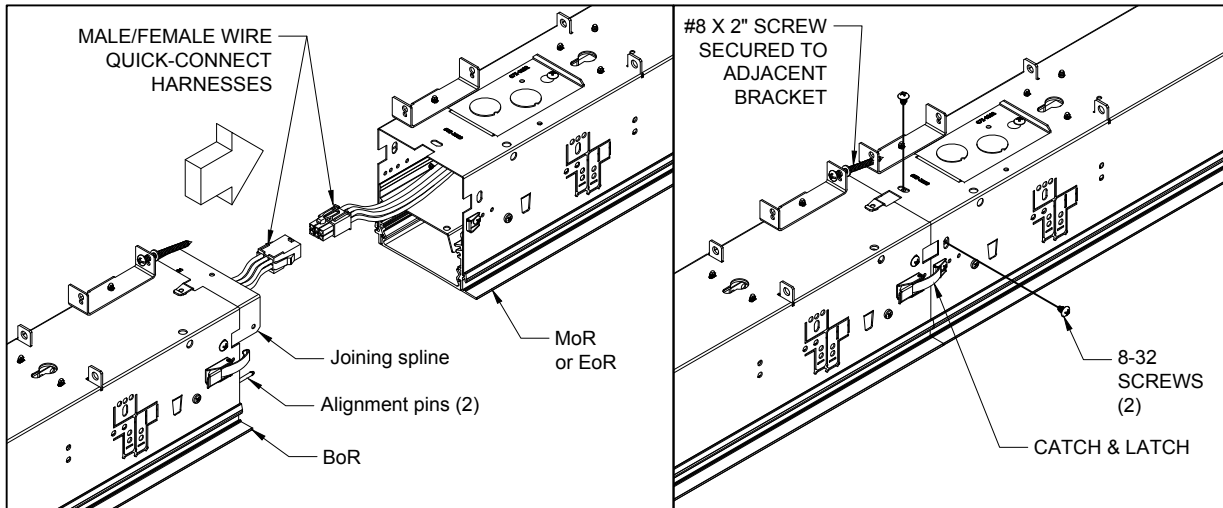
ACCESS PLATE DETAIL
FEED WIRING CONNECTIONS
0-10V DIM shown. For non-DIM applications cap Purple(+)/Gray(-) (wire nuts supplied by others).

All Other Wiring (not Shown)
Refer to wiring diagram provided with fixture.

This product complies with IEEE C62.41 for surge endurance up to 3KV. Amerlux recommends using additional surge protection with this unit (supplied by others). surge damage is not covered by warranty.

To prevent possible LED damage always wear properly connected ESD (electrostatic discharge) wrist strap while servicing LED components.

Assembling Continuous Rows- (All fixtures must be fully supported by rod or wire ties.)

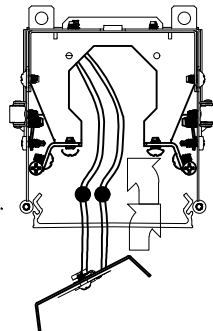


A. Connect fixture to previous fixture's power via quick connect.
B. Align joining spline & pins & join MoR/Eor to BoR.

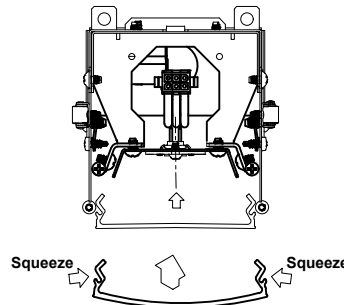
C. Secure joint via (1) #8 x 2" screw, (2) 8-32 screws & catch & latch. Secure fixture to structural support per sheets 1-3 as they apply.

Maintenance -

Reflectors do not have to be removed except for driver replacement or other maintenance. Disconnect power before servicing. To assemble (disassembly in reverse order as applicable):



1. Connect LED wiring harness (Red/Black).
2. Insert reflector by tilting it into housing (caution: do not pinch wires.)



3. Secure reflector to upper area of extrusion via 8-32 screws.
4. Install lens. Starting at (1) end, squeeze lens legs IN to snap LENS in place, and continue pressing upwards across the length of the fixture until lens is secure.

MAKE SURE TO DISCONNECT ALL ELECTRICAL CONNECTIONS BEFORE SERVICING.

WARNING: Electrostatic and polarity sensitive device. Use caution while handling and wiring.

- 1.) LED Fixture: Consult Amerlux for LED maintenance.
- 2.) LED Replacement: For LED board replacement reference 689-0394 Instruction Sheet
- 3.) Driver maintenance: Drivers are located on tray beneath indirect reflectors. Remove reflector mounting screws to access. For **programmable** driver replacement please specify: **Manufacturer, Model No. and Current Setting** (mA). See 710-0134 Wiring Schematic for more details.

Amerlux, LLC. - 178 Bauer Drive, Oakland NJ 07004 - T: 973-882-5010 - F: 973-882-2605
www.amerlux.com