



# INSTALLATION INSTRUCTIONS

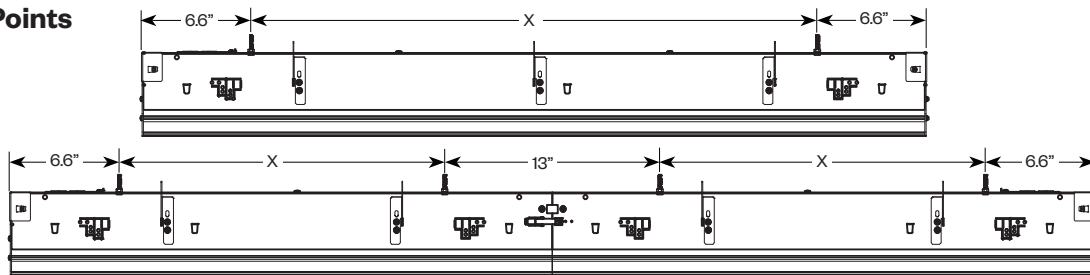
GRUV-HE-GB/GRUV6-HE-GRID  
1 or 2 Lamp Fluorescent, Grid Ceiling

689-0391  
pg 1 of 4

**WARNING: RISK OF FIRE AND ELECTRICAL SHOCK. FIXTURE MUST BE INSTALLED BY A QUALIFIED ELECTRICIAN ONLY. FIXTURE IS INTENDED FOR INSTALLATION IN ACCORDANCE WITH THE NATIONAL ELECTRICAL CODE, LOCAL AND FEDERAL SPECIFICATIONS. DISCONNECT POWER AT ELECTRICAL PANEL BEFORE SERVICING.**

**RETAIN THESE INSTRUCTIONS FOR MAINTENANCE REFERENCE.**

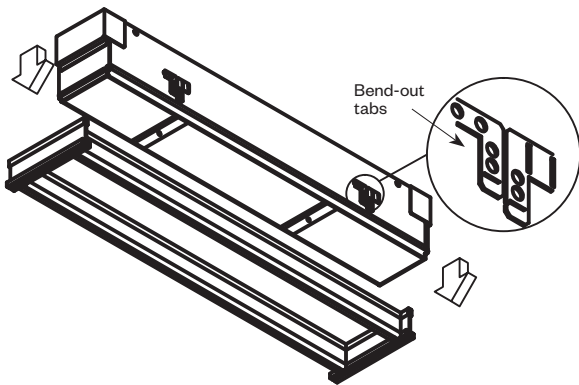
## Suspension Points



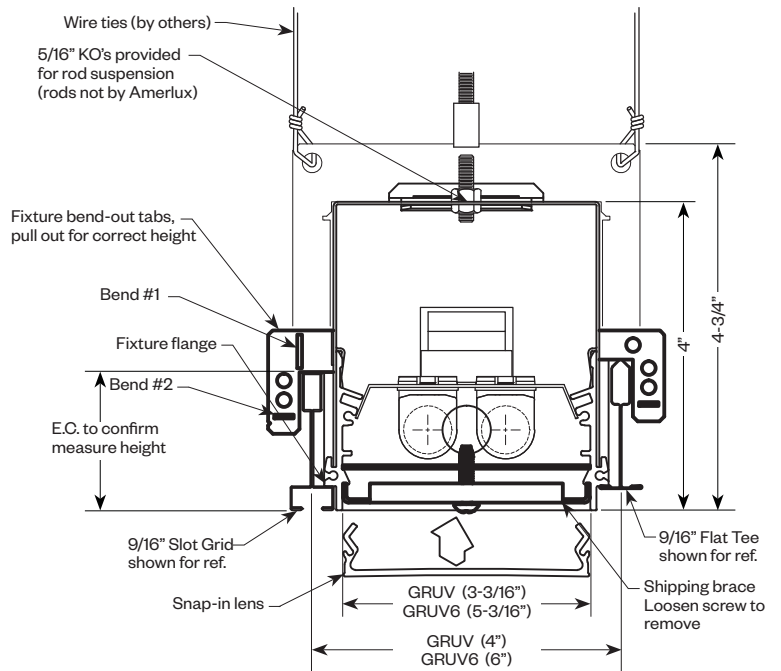
Example of a Continuous Row

## Individual Installation - (Individual fixture shipped as shown.)

**FIXTURE TO BE INSTALLED PER NEC "MEANS OF SUPPORT" AND ALL FEDERAL, NATIONAL AND LOCAL BUILDING CODES.**



1. Ceiling grid to be installed. (By Others)
2. Installing contractor to verify ceiling grid height and bend-out appropriate fixture tab (typical 4 places).
3. Make sure shipped brace is secure during installation. Lift fixture into place in ceiling grid, handle fixture carefully to avoid bowing and/or fixture distortion. Install fixture into ceiling grid, making sure fixture flange rests on ceiling grid and bend-out tabs are then pressed securely against ceiling grid (see Bend #1), then bend-over against bottom of grid bulb (see Bend #2). Note: To prevent fixture from lifting during lens installation.
4. E.C. to secure fixture per NEC Code, via threaded rod, wire ties or other means (hardware supplied by E.C.)
5. Make sure power is off at electrical panel. Remove access plate on top of housing. Knock out K.O. as required, make electrical connections (see access plate detail pg 2)
6. Re-install access plate to housing.
7. Install correct lamps.
8. Remove shipping brace and install lens.

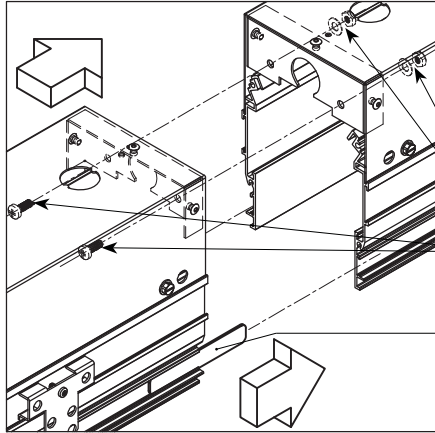


**Contractor's Responsibility to keep this dimension before & after installation.**

**Assembling Continuous Rows**

Note: With continuous rows, some assembly may be required in the field.

**A. Housing Assembly**

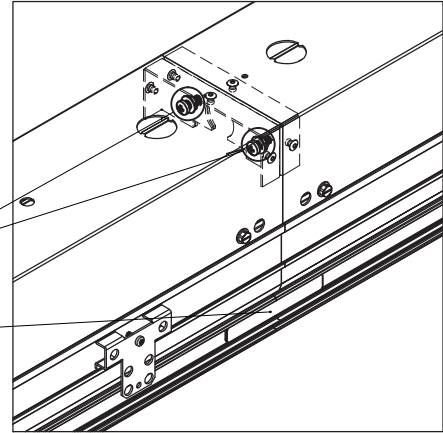


**Joining the Housings**

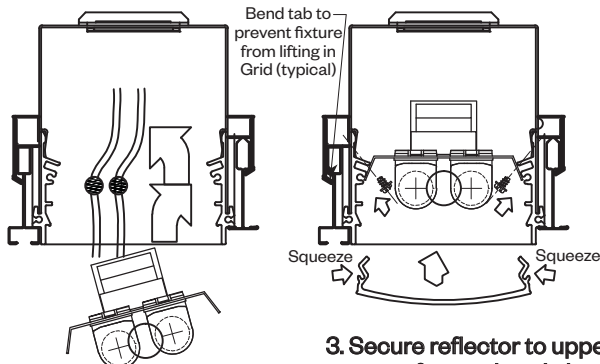
Line up the two housings by using the alignment splines. Secure them together by inserting the screws into the joining brackets then sliding the washer on then fastening the keps nuts to the other side.

Screws, Washers, and  
Keps Nuts for Joining  
Fixtures

Alignment Spline

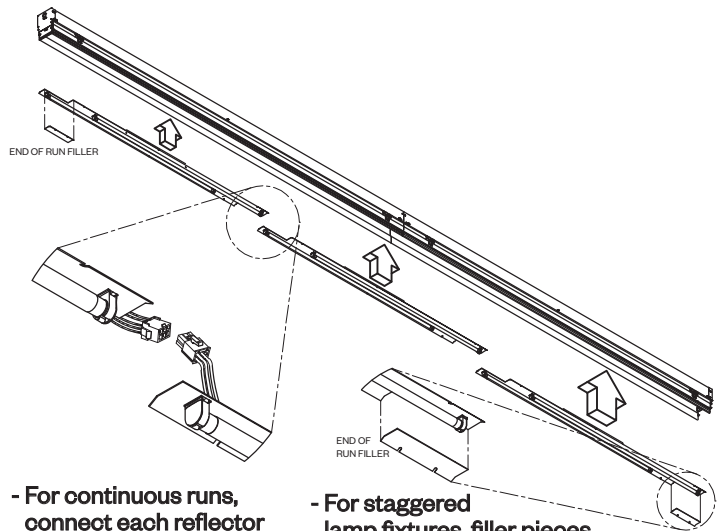


**B. Reflector Assembly Installation**



1. Connect wiring harness.
2. Insert the reflector by tilting into housing.  
(Caution: do not pinch wires)

3. Secure reflector to upper area of extrusion via head screws.
4. Install lens, starting at (1) end, squeeze lens legs IN to snap lens in place, continue pressing upwards across the length of the fixture, until lens is secure.



- For continuous runs, connect each reflector assembly via quick connect plugs before installation.

- For staggered lamp fixtures, filler pieces will be supplied for the beginning and end of run. They are to be secured to the extrusion the same way as the reflector assemblies.

**Access Plate Detail Wiring Connection**



**Note:** Additional connections (not shown) as required for dimming, EM, or other wiring requirements. Cap all unused leads. (wire nuts supplied by other)

**MAKE SURE TO DISCONNECT ALL ELECTRICAL CONNECTIONS BEFORE RELAMPING.**

1. **Install correct lamps.** See relamping label on reflector for the correct wattage.
2. **Ballast maintenance.** Ballasts are located on opposite side of reflector. Remove the screws mounting the reflector to access ballast.



# INSTALLATION INSTRUCTIONS

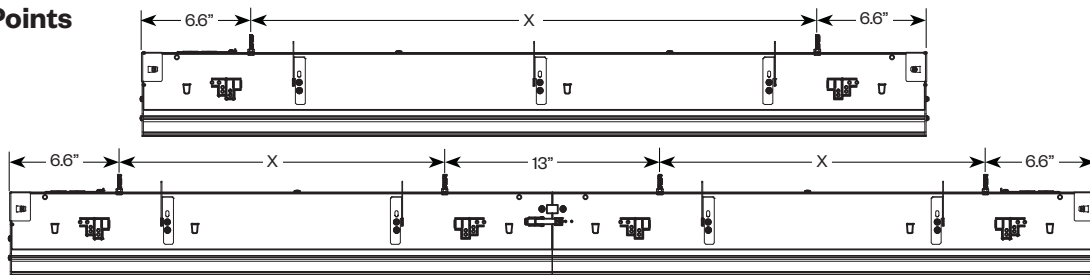
GRUV-HE-GB/GRUV6-HE-GRID  
LED, Grid Ceiling

689-0391  
pg 3 of 4

**WARNING: RISK OF FIRE AND ELECTRICAL SHOCK. FIXTURE MUST BE INSTALLED BY A QUALIFIED ELECTRICIAN ONLY. FIXTURE IS INTENDED FOR INSTALLATION IN ACCORDANCE WITH THE NATIONAL ELECTRICAL CODE, LOCAL AND FEDERAL SPECIFICATIONS. DISCONNECT POWER AT ELECTRICAL PANEL BEFORE SERVICING.**

**RETAIN THESE INSTRUCTIONS FOR MAINTENANCE REFERENCE.**

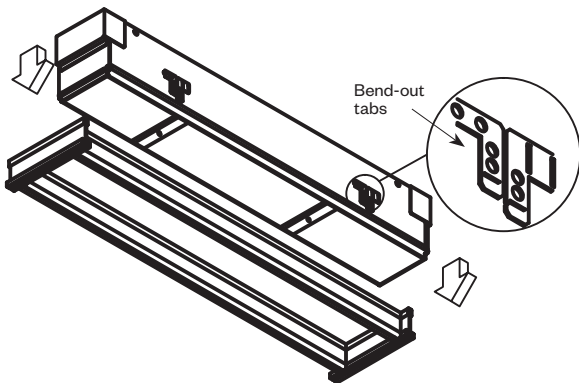
## Suspension Points



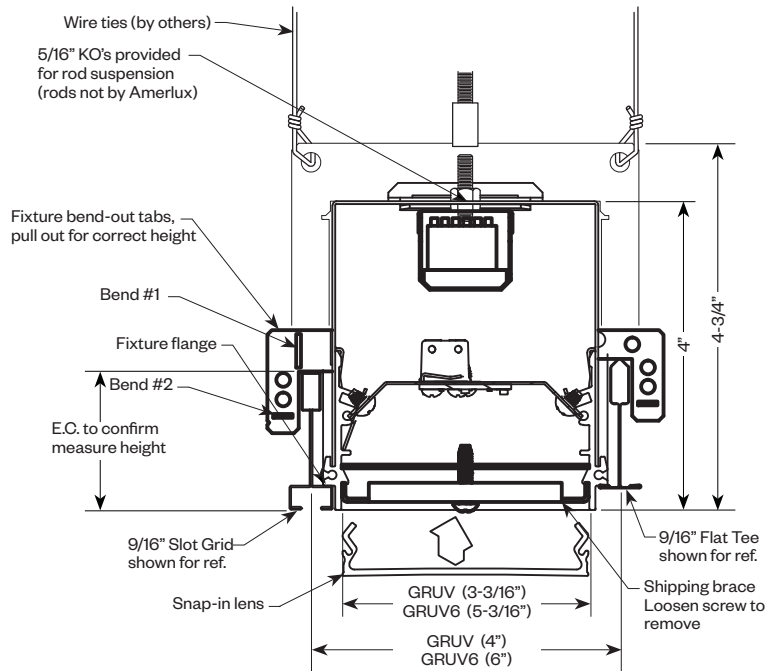
Example of a Continuous Row

## Individual Installation - (Individual fixture shipped as shown.)

**FIXTURE TO BE INSTALLED PER NEC "MEANS OF SUPPORT" AND ALL FEDERAL, NATIONAL AND LOCAL BUILDING CODES.**



1. Ceiling grid to be installed. (By Others)
2. Installing contractor to verify ceiling grid height and bend-out appropriate fixture tab (typical 4 places).
3. Make sure shipped brace is secure during installation. Lift fixture into place in ceiling grid, handle fixture carefully to avoid bowing and/or fixture distortion. Install fixture into ceiling grid, making sure fixture flange rests on ceiling grid and bend-out tabs are then pressed securely against ceiling grid (see Bend #1), then bend-over against bottom of grid bulb (see Bend #2). Note: To prevent fixture from lifting during lens installation.
4. E.C. to secure fixture per NEC Code, via threaded rod, wire ties or other means (hardware supplied by E.C.)
5. Make sure power is off at electrical panel. Remove access plate on top of housing. Knock out K.O. as required, make electrical connections (see access plate detail pg 2)
6. Re-install access plate to housing.
7. Remove shipping brace and install lens.

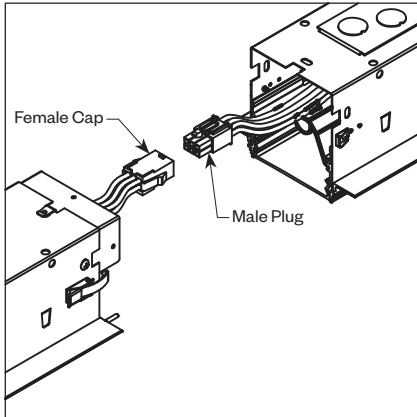


**Contractor's Responsibility to keep this dimension before & after installation.**

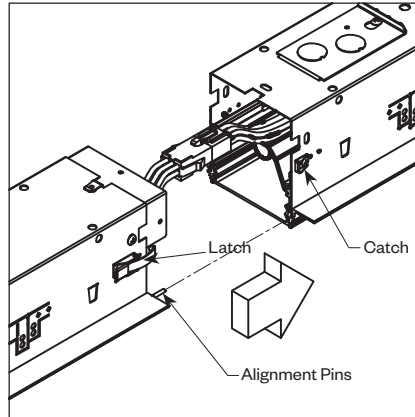
**Continuous Rows Installation**

**Note:** With continuous rows, some assembly may be required in the field.

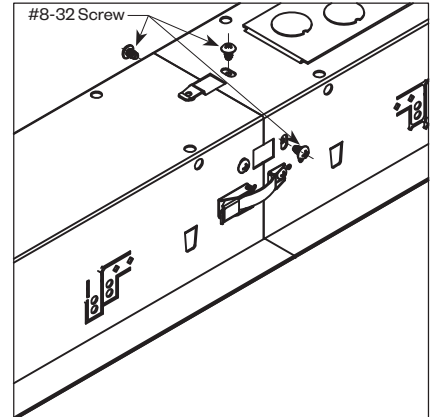
**A. Housing Assembly**



1. Connect fixture to previous fixtures power via quick connect.

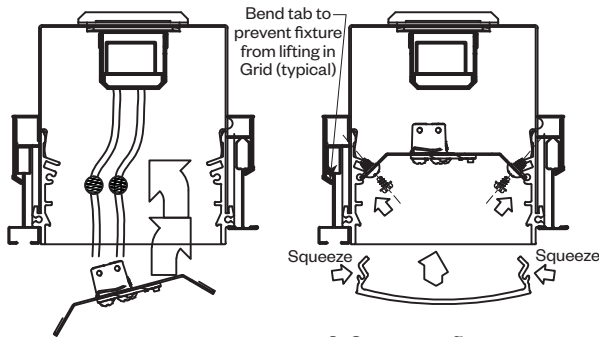


2. Line up fixtures using alignment pins. When fixtures are aligned, secure with Catch/Latch.



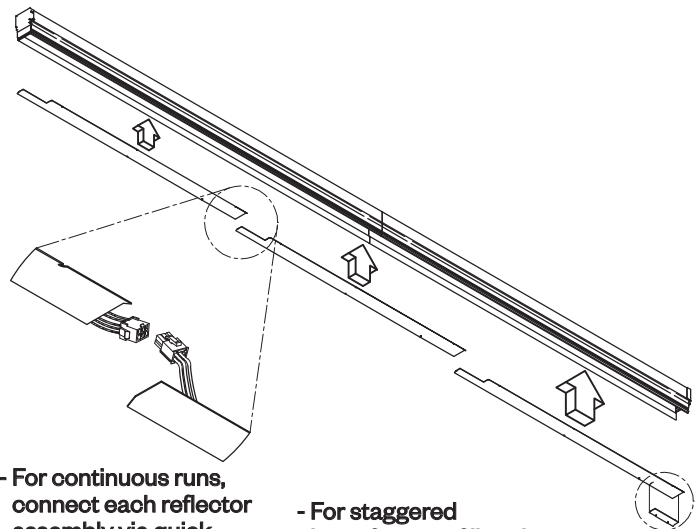
3. Once latched, secure fixture with #8-32 screw.

**B. Reflector Assembly Installation**



1. Connect wiring harness.  
2. Insert the reflector by tilting into housing.  
(Caution: do not pinch wires)

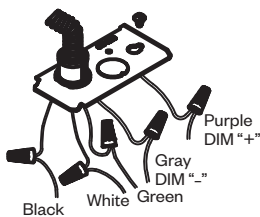
3. Secure reflector to upper area of extrusion via head screws.  
4. Install lens, starting at (1) end, squeeze lens legs IN to snap lens in place, continue pressing upwards across the length of the fixture, until lens is secure.



- For continuous runs, connect each reflector assembly via quick connect plugs before installation.

- For staggered lamp fixtures, filler pieces will be supplied for the beginning and end of run. They are to be secured to the extrusion the same way as the reflector assemblies.

**Access Plate Detail Wiring Connection**



**Note:** Additional connections (not shown) as required for dimming, EM, or other wiring requirements. Cap all unused leads. (wire nuts supplied by other)

**MAKE SURE TO DISCONNECT ALL ELECTRICAL CONNECTIONS BEFORE RELAMPING.**

**WARNING: Electrostatic and polarity sensitive device. Use caution while handling and wiring.**

- 1. **LED Fixture:** Consult Amerlux for LED maintenance.
- 2. **LED Replacement:** For LED board replacement reference 689-0394 Instruction Sheet.
- 3. **Driver Maintenance:** Drivers are located on Fixture Housing behind reflector. Remove the reflector mounting screws to access. Note driver resistance value during driver maintenance.