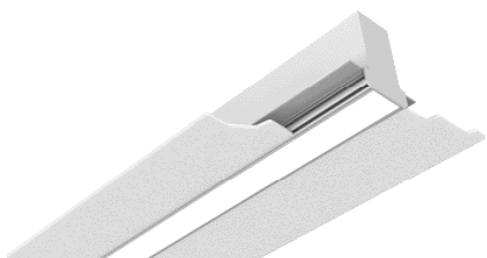


# Grüv® 1.5" ActiveCLEAN™

Recessed Linear LED with Vyv antimicrobial light



## Features

**ActiveCLEAN's™** high-intensity, antimicrobial wavelengths of 405 nanometers protect your business with the most beautiful, comfortable, non-glare illumination. Utilizing Vyv's signature UV-free antimicrobial technology, our spec-grade (Linea or Gruv) family of luminaires provides continuous surface cleaning by creating spaces that are inhospitable for **bacteria, fungi, yeast, mold, mildew** and **viruses** to live, on any surface—and in any application—the light touches.

## Product Overview

Type:	Recessed Direct
Wattage:	3W-12W/ft
Lumen Output:	1935 lm; 40.9 lm/W (12W, 4' fixture, 4000K)
Color Temp:	3000K, 4000K
CRI:	85 typ.
Dimming:	0-10V, 1% dim to off (standard) Lutron LDE1 Hi-lume® 1% Soft-On/Fade-to-Black DALI dimming, 1% dim

PROJECT:

TYPE:

## Fixture Summary *(see following pages for more information)*

### Ceiling Types

4" Tech Zone	6" Tech Zone	9/16"	15/16"	Gyp Board
No	No	Yes	Yes (FLG-GRID only)	Yes

Millwork	Perimeter J-Mold
Yes	Yes

### Performance Chart

Wattage Per Foot	Delivered Lumens	LPW	Color Temp
12	1935	40.9	4000K-80

*Data is based on 4', 4000K 85CRI IES files available on website*

### Electrical Data

Wattage Per Foot		4'		8'	
		System Watts	Amps	System Watts	Amps
12	120V	46.3	0.39	93.9	0.78
	277V	45.9	0.17	91.9	0.33
7	120V	26.7	0.22	53.5	0.44
	277V	26.8	0.1	53	0.2

*Electronic multi-volt (120-277VAC), constant current LED driver*



# Grüv<sup>®</sup> 1.5" ActiveCLEAN<sup>™</sup>

Recessed Linear LED with Vyy antimicrobial light



## PROJECT:

## TYPE:

### Ordering Information



- 1** Model  
**GRUV1.5-FLG-VYY** - exposed flange  
**GRUV1.5-FLG-GRID-VYY** - exposed flange, grid mount  
**GRUV1.5-GB-VYY** - gyp board trimless mud-in  
**GRUV1.5-GRID-VYY** - grid mount  
**GRUV1.5-IS-VYY** - independently suspended, millwork  
**GRUV1.5-J/GB-VYY** - j-mold/gyp board trimless  
**GRUV1.5-J/GRID-VYY** - j-mold/grid  
**GRUV1.5-J/IS-VYY** - j-mold/independently suspended

- 2** Optics  
**PL** - performance lens

- 3** Wattage (per foot)  
\_\_\_\_\_ - (ex. 12 - 12W/ft, available in 3W/ft-12W/ft. 3 & 4W/ft require 4' min. length)

- 4** Color Temp  
Single Mode  
**AL30** - 3000K-85CRI, white antimicrobial+light  
**AL40** - 4000K-85CRI, white antimicrobial+light

- 5** Finish  
**AW** - ActiveCLEAN<sup>™</sup> white

- 6** Voltage  
**120/277**

- 7** Length  
\_\_\_\_\_

- 8** Configuration  
**IND**<sup>1</sup> - individual fixture, 2' to 8' in 1' increments  
**IND-S+** - individual with standard plus (see pg8, for GRID or J/GRID only)  
**CON** - continuous run > than 8', specify to nearest foot  
**CON-S+** - continuous run with standard plus (see pg8, for GRID or J/GRID only)  
**CUS** - custom made to measure, +/- 1/8" of customer supplied field dimensions

- 9** Drivers  
**OFF-0-10V** - 1% electronic dim to off, multi-volt (120-277V) constant current driver (standard)  
**HILUME-H-ECO** - Lutron LDE1 Hi-lume<sup>®</sup> 1% Soft-On/Fade-to-Black  
**DALI** - DALI Dimming 120-277VAC, 1% dim  
**Note: Review wiring diagrams on pages 9-12 for controls requirements**

- 10** Options/Accessories  
**CP** - Chicago Plenum (CCEA)  
**ENLS** - Enlighted Sensor (0-10V only and not available on 2' & 3' lengths)  
**WHIP** - 6' whip, 18/5 conductor  
**EMC-PF<sup>2</sup>** - emergency circuit requires power feed located in last fixture section (for other locations consult factory)  
**PF<sup>2</sup>** - Extra power feed for additional circuiting  
**EMB** - emergency battery pack (not available for lengths under 4')

1 - Lengths less than 4' may have restrictions based upon wattage, lengths, drivers or other options.

2 - Not available with IND (individual) configuration.

# Grüv® 1.5" ActiveCLEAN™

Recessed Linear LED with Vyv antimicrobial light



## PROJECT:

## TYPE:

### Specifications

#### Application

Commercial, Education and Healthcare recessed ambient lighting that can be customized with made to measure lengths.

**ActiveCLEAN™** fixtures may be sold in all areas of the United States. Certain states/countries require additional state approvals which are currently in process. For the following, please contact Amerlux for all projects to confirm exact timing for approval: Colorado, Indiana, Hawaii, New Mexico, Oklahoma, Wyoming, Washington DC and Canada. These restrictions are subject to change at any time and will be updated periodically as additional approvals are completed.

#### Construction

One piece extruded aluminum housing and trim. Die-formed, cold-rolled steel internal components and external mounting brackets. Numerous configurations accommodate most architectural ceiling conditions.

#### Optical

All lenses are snap-in, extruded acrylic, with a maximum length of 8'. Amerlux's proprietary acrylic lens provides excellent transmission while effectively concealing source image.

**PL** - Performance Lens provides high efficiency with controlled lens surface brightness.

#### LED

Internal LED boards powered by Vyv's patented single-diode technology meets international standards for continuous and unrestricted use around people. Vyv stops the growth of and kills\* viruses, bacteria, fungi, yeast, mold and mildew with visible light.

\*Testing on a non-enveloped virus (MS2 bacteriophage) showed a 99.985% reduction in controlled laboratory testing in 6 hours on hard surfaces. MRSA and E. coli showed 90%+ reduction in controlled laboratory testing in 24 hours on hard surfaces. Results may vary depending on the amount of light that is reaching the surfaces in the space where the product is installed and the length of time of exposure. Use of Vyv antimicrobial light is not intended to replace manual cleaning

**Color Temperature Options:** 3000K & 4000K

**Antimicrobial+Light Mode (AL\_)** provides continuous antimicrobial protection, combined with white light

**CRI:** 85 typical; **R9:** 10 typical  
4-step bin

**Life:** 36,000 hr., >70% of initial lumens (L70)

**How to use:** To achieve the recommended amount of antimicrobial protection, it is recommended that a photometric layout is conducted on your space. The light level coming from the ActiveClean fixtures should be a minimum of 500 Lux (46.5 FC). Any indirect light from an ActiveClean fixture or ambient light from nearby fixtures should not be used in the 500 Lux (46.5FC) calculation. All ActiveClean fixtures should be used in conjunction with standard cleaning practices.

#### Electrical

**Wiring:** Supply wires are easily accessible through access plate on top of fixture.

**WHIP:** Optional factory installed 6' Greenfield whip (18/5 conductor) simplifies installation.

**Wattage:** up to 12W/ft., (3W & 4W have a minimum length of 4'). For other wattages consult factory.  
Emergency circuit via remote inverter or auxiliary emergency power supply (by others).

**This product complies with IEEE C62.41 for surge endurance up to 2.5KV. Amerlux® recommends using additional surge protection with this unit (supplied by others), surge and over voltage damage is not covered under warranty.**

**EMC-PF** - Emergency circuit requires power feed to be located in last fixture section for continuous runs. For other locations consult factory. Not available for individual (IND) configuration.

**PF** - Extra power feed for additional circuiting. Not available for individual (IND) configuration.

#### Drivers

**OFF-0-10V** - 1% electronic dim to off, multi-volt (120-277VAC) constant current driver (standard)

#### Optional Drivers:

**HILUME-H-ECO** - Lutron LDE1 Hi-lume® 1% Soft-On/Fade-to-Black  
**DALI** - DALI Dimming 120-277VAC, 1% dim

#### Finish

**AW** - **ActiveCLEAN™** white powder coat paint with anti-microbial coating. Baked on finish for maximum durability and color stability.

#### Configurations/Lengths

**IND** - Individual fixtures are made of single standard lengths of 2 ft to 8 ft (in 1' increments). These are stand alone fixtures with matching End Caps, supplied with the mounting hardware. Lengths less than 4' may have restrictions based upon wattage, lengths, drivers or other options.

**CON** - Continuous runs, > 8', specified to nearest whole foot length in 1' increments. Runs made from standard lengths have End Caps at the beginning and end of run. Runs > 60' may require second power feed.

Each Housing has factory installed alignment pins. Mating fixtures are easily aligned and joined with "catch and latch" mechanisms out of sight, on top of the Housing. Wiring is made fast and positive with molded quick connectors.  
**S+** - Standard Plus is a field cuttable filler bracket that can be used when an Individual fixture or a Continuous run isn't to the nearest foot (+3/4" to 6" max per end). See page 7 for details.

**CUS** - Custom made to measure runs are made to nearest 1/8" of customer supplied field measurements or drawings. Custom lengths use the same hardware for hairline joining.

#### Mounting

Intended for use in gypsum board, 9/16" Tee grid and Screw Slot, and millwork ceilings. Wall mounting J-Molding details available. For individual, continuous row, or pattern applications.

**Please note - fixtures to be installed before gypsum board ceiling.**

**GRUV1.5-FLG-VYV** - exposed flange, fixture into gyp board ceiling

**GRUV1.5-FLG-GRID-VYV** - exposed flange grid mount, fixture into 9/16" Tee ceiling

**GRUV1.5-GB-VYV** - gyp trimless mud, fixture plastered into gypsum board ceiling

**GRUV1.5-GRID-VYV** - grid mount, in 9/16" Screw Slot or Flat Tee ceilings

**GRUV1.5-IS-VYV** - independently suspended, fixture in wood ceiling

**GRUV1.5-J/GB-VYV** - J mold/gyp trimless, plastered in ceiling - J Channel wall side

**GRUV1.5-J/GRID-VYV** - J mold/grid, in 9/16" Screw Slot or Flat Tee ceilings - J Channel wall side

**GRUV1.5-J-IS-VYV** - J mold/independently suspended in ceiling - J Channel wall side

#### Options

**EMB** - Emergency battery pack - 10W output power, 90 min of illumination time, up to 1300 lm of initial light output. Illuminated test-switch/charging indicator light is provided. Wattage consumption by EM: 2.5W/ft (4ft fixture), 1.66W/ft (6ft fixture), 1.25W/ft (8ft fixture). Request can be made to light up 4ft section on 8ft unit.

#### Certifications

Approved to UL standards for damp locations as tested by CSA  
Intended for indoor use only  
Chicago Plenum (CCEA) optional

#### Warranty

Amerlux's 3 year limited warranty. Please consult Amerlux website for details.

# Grüv<sup>®</sup> 1.5" ActiveCLEAN<sup>™</sup>

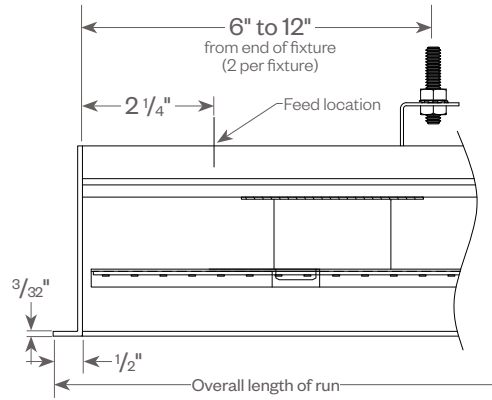
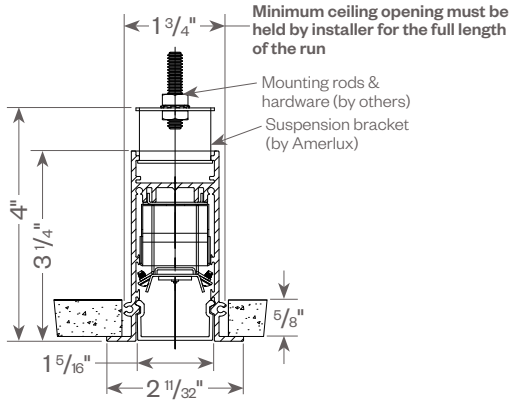
Recessed Linear LED with Vyv antimicrobial light



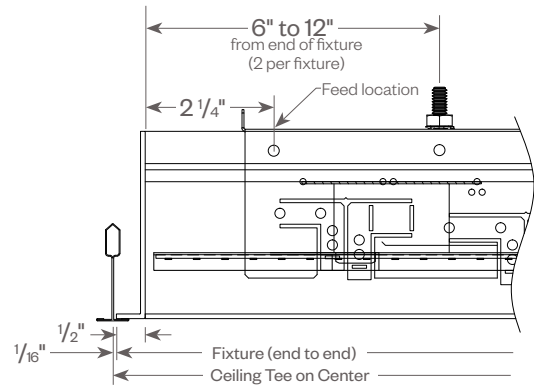
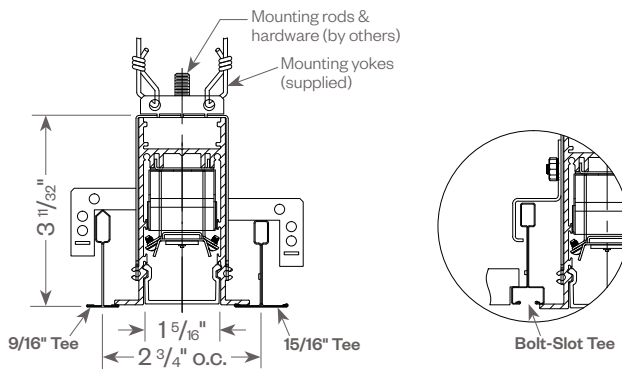
**PROJECT:**

**TYPE:**

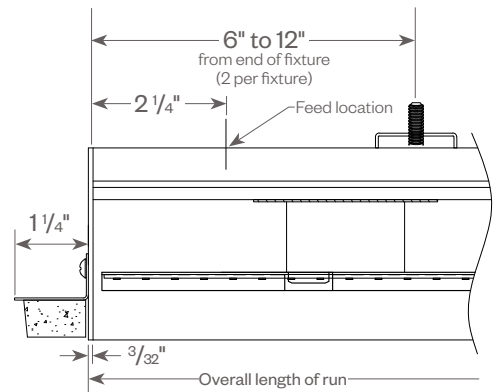
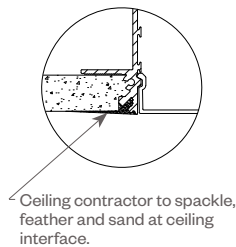
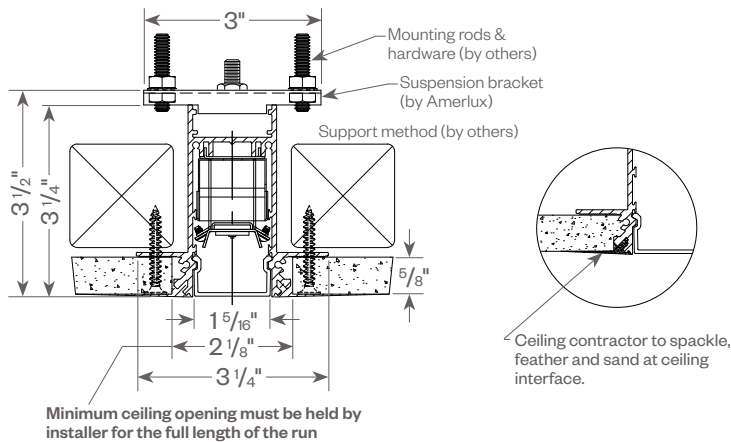
## GRÜV1.5-FLG (exposed flange)



## GRÜV1.5-FLG-GRID (flange, grid mount)



## GRÜV1.5-GB (gyp board trimless mud-in)



# Grüv<sup>®</sup> 1.5" ActiveCLEAN<sup>™</sup>

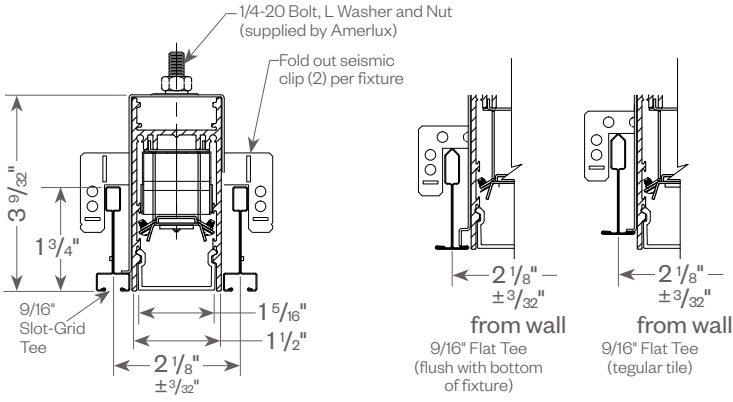
Recessed Linear LED with Vyy antimicrobial light



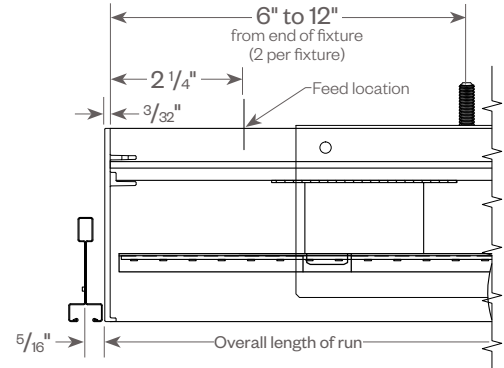
**PROJECT:**

**TYPE:**

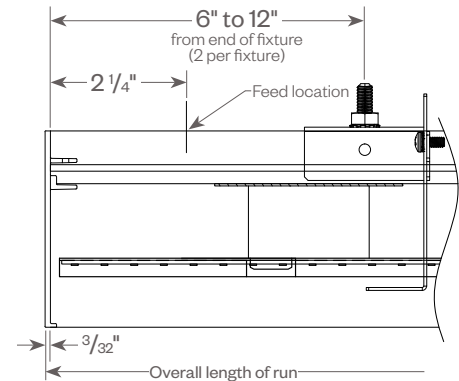
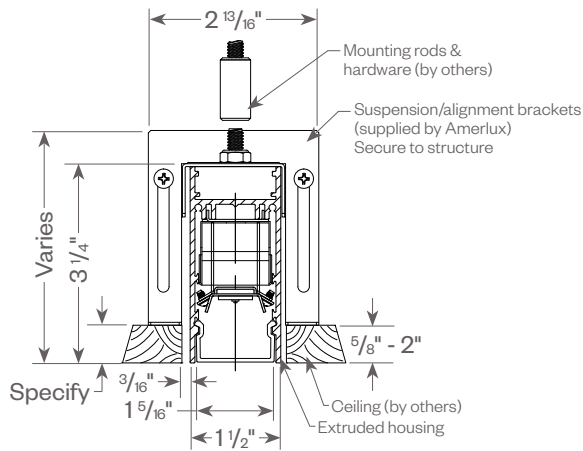
**GRÜV1.5-GRID** (grid mount)  Compatible (see pg 8)



Note: 9/16" Grid Only



**GRÜV1.5-IS** (independently suspended)



# Grüv<sup>®</sup> 1.5" ActiveCLEAN<sup>™</sup>

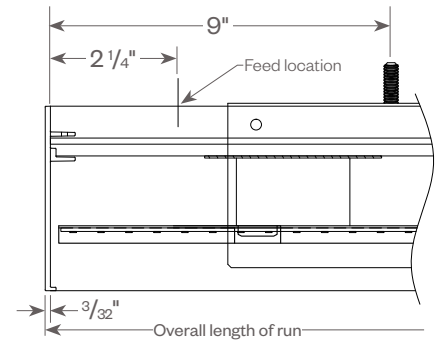
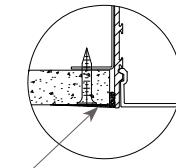
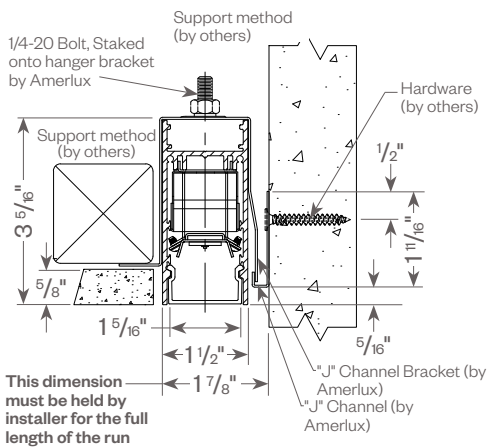
Recessed Linear LED with Vyy antimicrobial light



**PROJECT:**

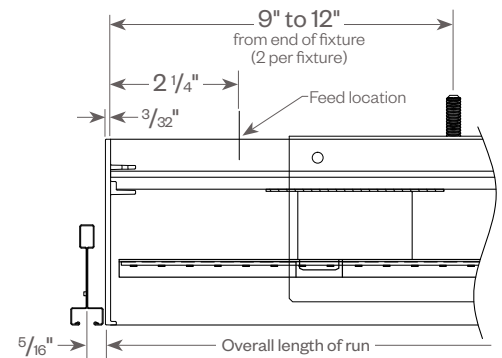
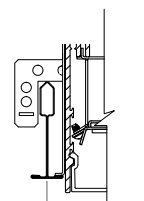
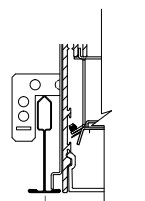
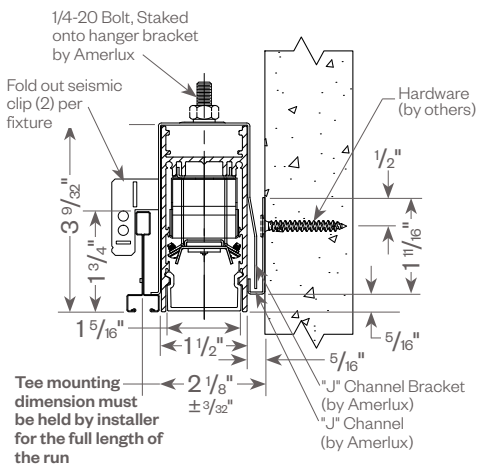
**TYPE:**

## GRÜV1.5-J/GB (j-mold/gyp board trimless)

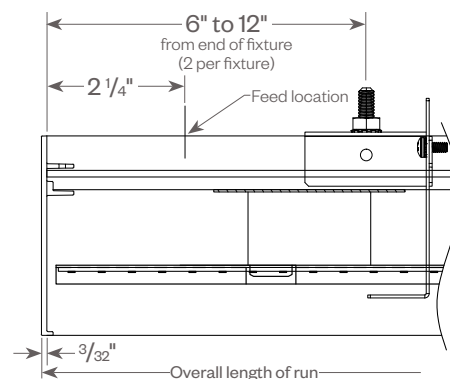
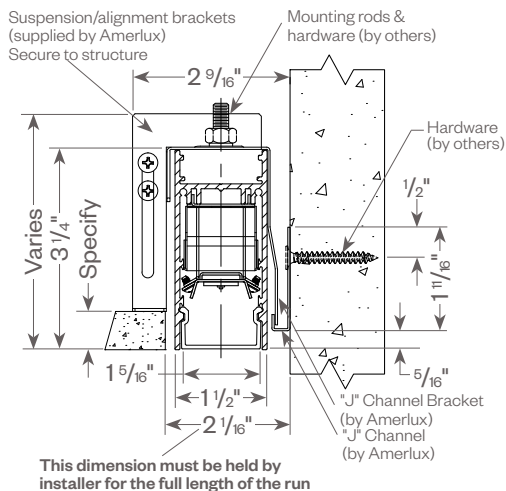


## GRÜV1.5-J/GRID (j-mold/grid mount)

Compatible (see pg 8)



## GRÜV1.5-J/IS (j-mold/independently suspended)



# Grüv® 1.5" ActiveCLEAN™

Recessed Linear LED with Vyv antimicrobial light



## PROJECT:

## TYPE:

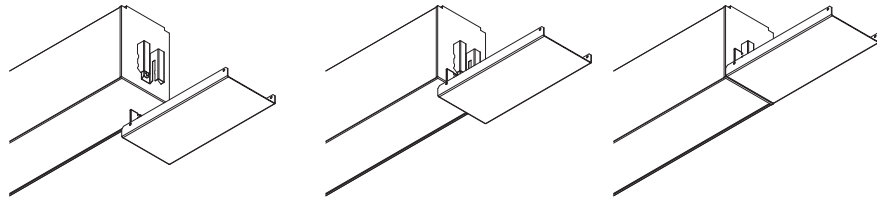


### STANDARD PLUS (FILLER):

Whenever a continuous run is less than a foot to the next full foot length consider ordering Standard Plus field cuttable bracket for a perfect look. Fits 9/16" Slot Grid and 9/16" T grid. It snaps in place easily from below and gets you close to the wall with a standard fixture. Saves time and money compared to made-to-measure.



GRID VERSION



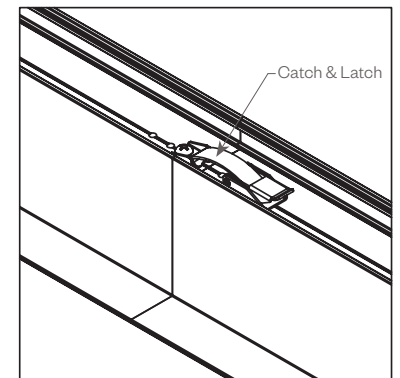
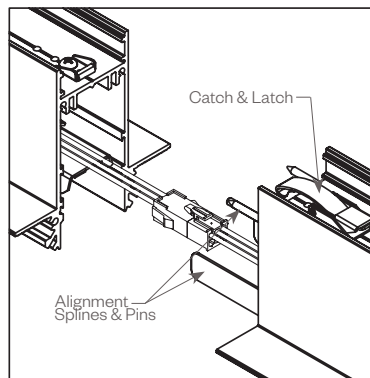
NOTE: Use with Gruv1.5-Grid and Gruv1.5-J/Grid

### FILLER TRIM AND INSTALLATION (GRUV 1.5 GRID SHOWN HERE)

<p><b>1</b></p> <p>Install fixture in grid &amp; "J" channel in its final position in row without securing to grid, rod or adjacent fixture.</p>	<p><b>2</b></p> <p>Measure distance "A" from fixture end cap to backside of molding surface where filler will rest.</p>	<p><b>3</b></p> <p>Trim filler as shown to length <b>A minus -1/16"</b></p>	<p><b>4</b></p> <p>Lift end of fixture above height of tee and snap end filler into retaining spring so that it seats level with bottom of fixture.</p>	<p><b>5</b></p> <p>Carefully reinstall fixture in grid and final secure per installation instructions.</p>
--	---	---	---	--

### TOOLLESS JOINING:

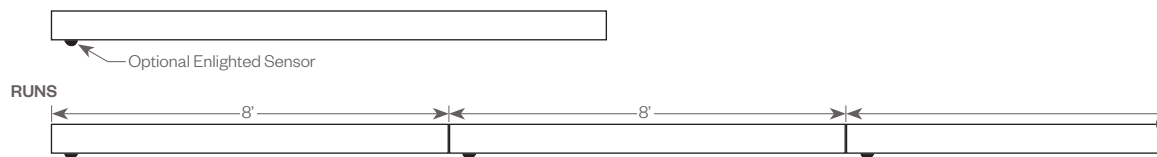
Line up the two housings by using the alignment splines & pins. Secure them together by using the Catch & Latch System on the top of the extrusion.



### OPTIONAL ENLIGHTED SENSOR:

Amerlux® and Enlighted have partnered to create building environments that are safer, and smarter, than ever before. At the heart of our partnership is Enlighted's Smart Sensor, the most advanced digital sensor available today. Integrated into Amerlux products, the sensor seamlessly collects and communicates dense data on building security, occupancy, performance, environmental conditions, ambient light levels, temperature, and energy consumption. This intelligence provides building managers with unprecedented guidance on cost savings and site-planning efficiencies. Enlighted Sensor (ENLS) is available with 0-10V driver only. Minimum run length is 4'. Enlighted power pack is provided with ENLS option. ENLS option is not available for use with GRUV1.5-FR

#### 4 FT OR 8 FT DIRECT



# Grüv<sup>®</sup> 1.5" ActiveCLEAN<sup>™</sup>

Recessed Linear LED with Vyv antimicrobial light



## PROJECT:

## TYPE:

**FIXTURE DATA:** (Complete photometric data (.ies format) available upon request)

**MULTIPLYING FACTORS:** (Multiplying Factor is based on 4000K-80 120V IES file on website)

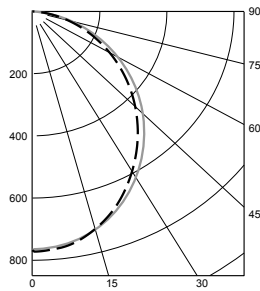
Wattage:	3W	4W	5W	6W	7W	8W	9W	10W	11W	12W
Factor:	0.25	0.33	0.42	0.50	0.58	0.67	0.75	0.83	0.92	1.0

CCT:	3000K	4000K
Factor:	1.0	1.0

### GRUV 1.5" ACTIVECLEAN PL 12W/FT AL40 4000K 4FT

Total Watts: 47.3  
Total Lumens: 1,935  
Source: 182 White LED's

LTL# 13783324.02A



#### ZONAL LUMEN SUMMARY

Zone	Lumens	%Fixt
0-40	922	47.6
0-60	1564	80.8
0-90	1935	100.00
90-180	0	0.00

Total Luminaire Efficacy = 40.9 Lumens /Watt

#### COEFFICIENTS OF UTILIZATION

Effective Floor Cavity Reflectance 20%

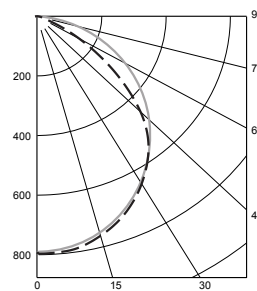
RC	80			
RW	70	50	30	10
RCR				
0	119	119	119	119
1	109	105	100	97
2	100	91	85	79
3	91	81	73	66
4	83	72	63	56
5	77	64	55	49
6	71	58	49	43
7	66	53	44	38
8	62	48	40	34
9	58	44	36	31
10	54	41	33	28

Note: Values are expressed as percent of total lumen output delivered to the task surface.

### GRÜV1.5-FR ACTIVECLEAN PL 12W/FT AL40 4000K 4FT

Total Watts: 48  
Total Lumens: 1,882  
Source: 182 White LED's

LTL# 13783324.01A



#### ZONAL LUMEN SUMMARY

Zone	Lumens	%Fixt
0-40	981	52.1
0-60	1645	87.4
0-90	1882	100.0
90-180	0	0.0

Total Luminaire Efficiency = 39.1 Lumens /Watt

#### COEFFICIENTS OF UTILIZATION

Effective Floor Cavity Reflectance 20%

RC	80			
RW	70	50	30	10
RCR				
0	119	119	119	119
1	110	106	103	99
2	101	94	88	83
3	93	83	76	70
4	86	75	66	60
5	79	67	59	52
6	73	61	52	46
7	68	55	47	41
8	63	50	42	37
9	59	46	38	33
10	56	43	35	30

Note: Values are expressed as percent of total lumen output delivered to the task surface.



# Grüv® 1.5" ActiveCLEAN™

Recessed Linear LED with Vyv antimicrobial light



## PROJECT:

## TYPE:

### DIMMING COMPATIBILITY:

Amerlux® Gruv fixtures are compatible with all major dimming protocols prevalent in the United States. Please see below for general compatibilities and wiring diagrams. Amerlux recommends testing your unique dimming configuration as the exact full configuration (Dimmer, Fixture Quantity, Voltage, etc) may affect dimming performance.

**--- NOTE: INFORMATION BELOW IS FOR WIRED DIMMERS ONLY. FOR WIRELESS DIMMERS, CONSULT FACTORY ---**

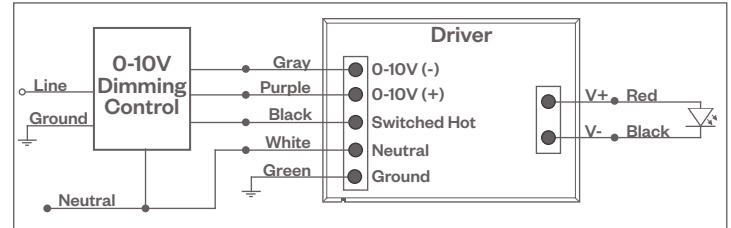
### 0-10V - DIMMING (Standard)

Integrates into a variety of building management and daylighting controls

#### Notes:

- 120V or 277V\*
- Dims down to 1% light output
- Requires interface to turn off power to driver
- Consult Dimming manufacturer for installation instructions - DO NOT SHARE NEUTRALS!

### 0-10V Wiring Diagram



#### Compatible Dimmers†:

##### Wall Box

Lutron:  
Diva - DVSTV  
Maestro - MS-Z101  
Nova-T - NTSTV-DV

Wattstopper:  
ADF-120277

Leviton:  
Renoir II

##### Center System

Lutron Grafikx Eye with GRX-TV1 Interface

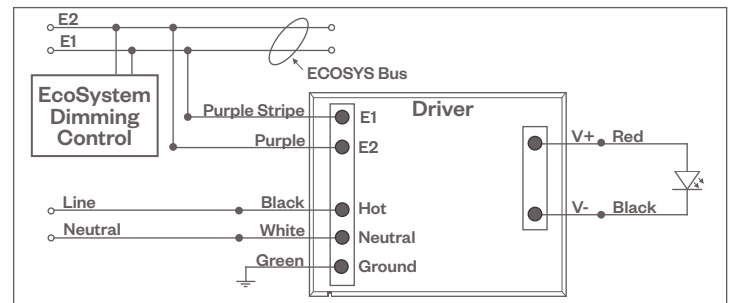
### LUTRON LDE1 DIMMING

Integrates into Lutron EcoSystem building management

#### Notes:

- 120VAC or 277VAC\*
- Dims down to 1% Soft-On/Fade-to-Black
- EcoSystem Control
- Consult Dimming manufacturer for installation instructions - DO NOT SHARE NEUTRALS!

### Lutron LDE1 (HILUME-H-ECO) EcoSystem Digital Control Wiring Diagram



#### Compatible Dimmers†:

##### Lutron ECO System

Pow Pak Dimming Modules  
Energi Savr Node  
Grafik Eye QS/Homeworks  
QS Control Unit  
Quantum Hub  
Homeworks QS/My Room

##### Central System

Lutron EcoSystem compatible controls

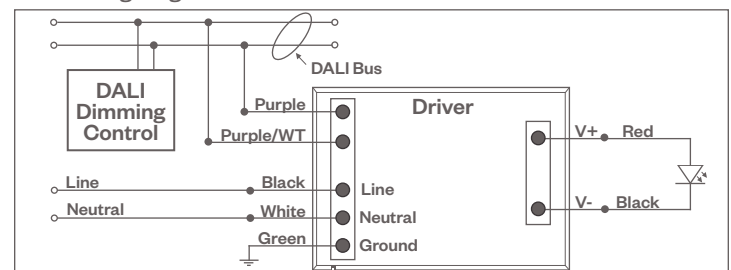
### DALI - DALI DIMMING 120-277VAC

Digital control protocol allows individual fixture control

#### Notes:

- 120VAC - 277VAC\*
- Dims down to 1% light output in most cases

### DALI Wiring Diagram



#### Compatible Dimmers†:

##### Wall Box

Leviton CD250 Controller

##### Center System

Dynalite  
Fifth Light

#### Notes:

\* Driver is 277VAC dimmable with appropriate dimmer (by others). All provided wiring diagrams show 120VAC wiring colors and method. Please refer to 277VAC dimmer installation instructions for 277VAC wiring diagrams.

† The absence of a dimmer from the lists above does not imply incompatibility. Please consult factory for compatibility inquiries.

# Grüv<sup>®</sup> 1.5" ActiveCLEAN<sup>™</sup>

Recessed Linear LED with Vyv antimicrobial light



**PROJECT:**

**TYPE:**

Emergency Fixture with Built-in Battery Pack (EMB) Wiring:  
Note: EMB not available on lengths under 4'.

