

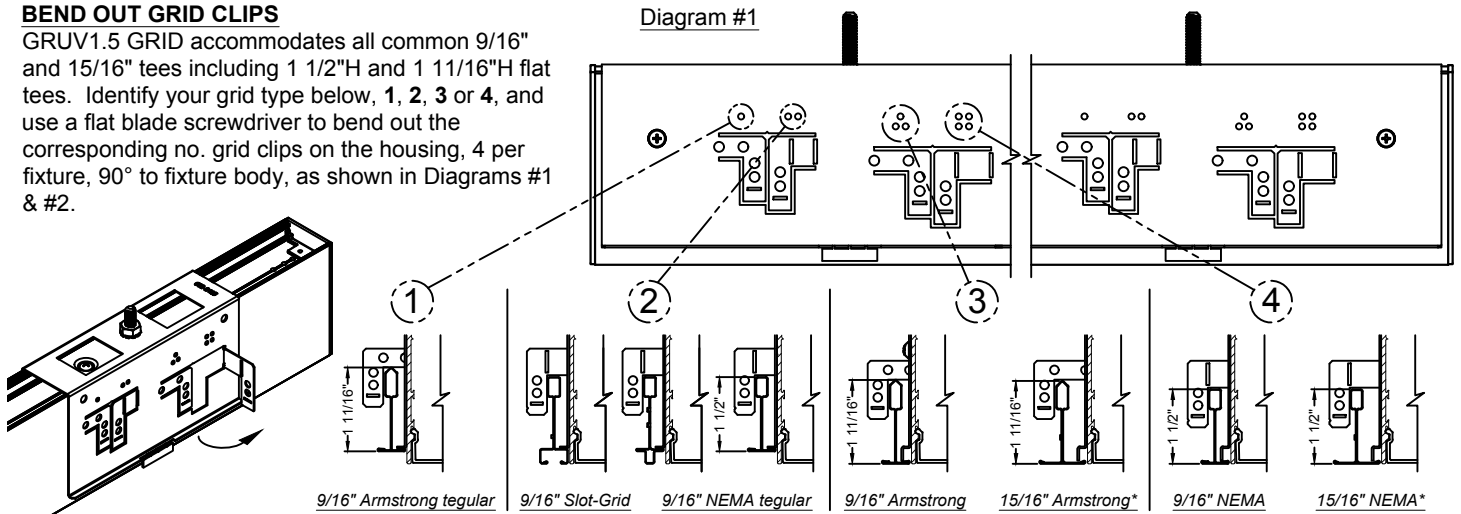
**GRUV1.5-GRID**

**WARNING - RISK OF FIRE AND ELECTRICAL SHOCK. FIXTURE MUST BE INSTALLED BY A QUALIFIED ELECTRICIAN ONLY. FIXTURE IS INTENDED FOR INSTALLATION IN ACCORDANCE WITH THE NATIONAL ELECTRICAL CODE, LOCAL AND FEDERAL SPECIFICATIONS. DISCONNECT POWER AT ELECTRICAL PANEL BEFORE SERVICING. RETAIN THESE INSTRUCTIONS FOR MAINTENANCE REFERENCE.**

**BEND OUT GRID CLIPS**

GRUV1.5 GRID accommodates all common 9/16" and 15/16" tees including 1 1/2"H and 1 11/16"H flat tees. Identify your grid type below, 1, 2, 3 or 4, and use a flat blade screwdriver to bend out the corresponding no. grid clips on the housing, 4 per fixture, 90° to fixture body, as shown in Diagrams #1 & #2.

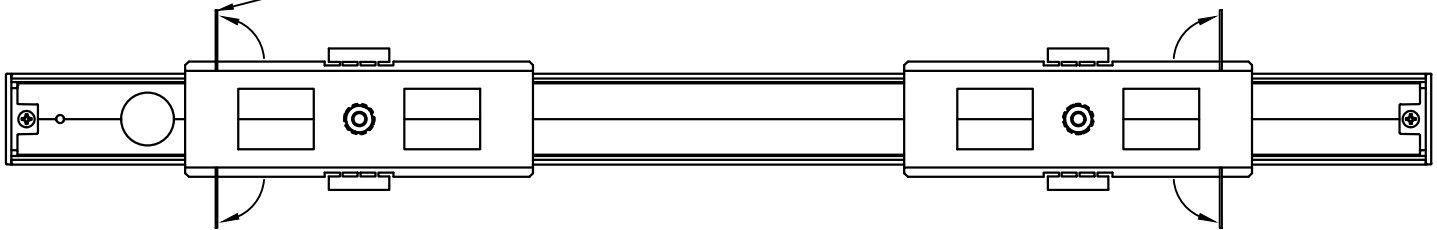
Diagram #1



\*15/16" tee mounting not standard catalog offering because of row OAL variation. Consult factory.

Diagram #2

BEND OUT (4) CORRESPONDING NO. GRID CLIPS PER FIXTURE

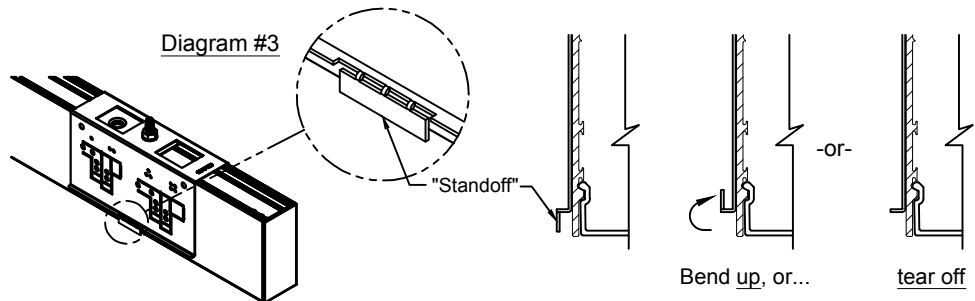


TOP VIEW OF FIXTURE

**BEND UP "STANDOFF"**

If ceiling type is 9/16" Slot-Grid tee or 9/16" flat tee with tegular tile (grid type 1 or 2 per Diagram #1 above), hand-bend up or tear off "standoffs" on both sides of fixture, 2 per fixture, per Diagram #3.

Diagram #3



Bend up, or... tear off

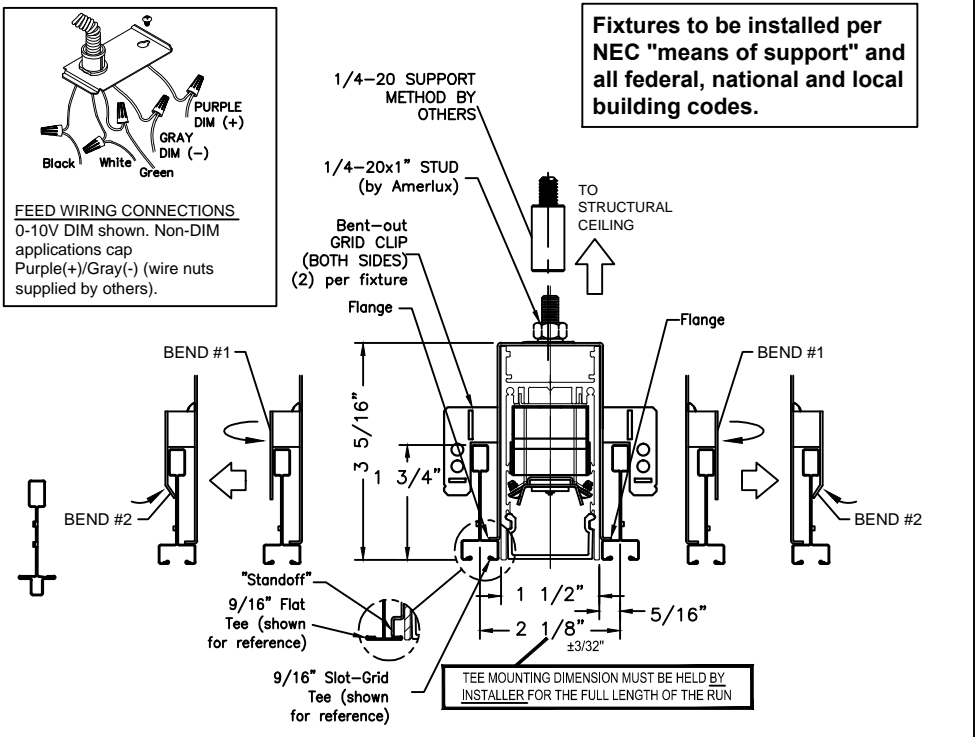
**WARNING - RISK OF FIRE AND ELECTRICAL SHOCK. FIXTURE MUST BE INSTALLED BY A QUALIFIED ELECTRICIAN ONLY. FIXTURE IS INTENDED FOR INSTALLATION IN ACCORDANCE WITH THE NATIONAL ELECTRICAL CODE, LOCAL AND FEDERAL SPECIFICATIONS. DISCONNECT POWER AT ELECTRICAL PANEL BEFORE SERVICING.**

**RETAIN THESE INSTRUCTIONS FOR MAINTENANCE REFERENCE.**

**INSTALL GRUV1.5 GRID FIXTURE:**

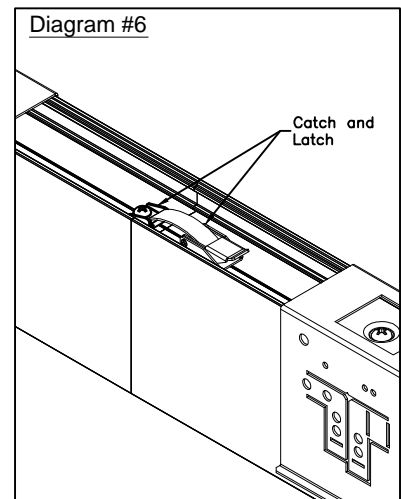
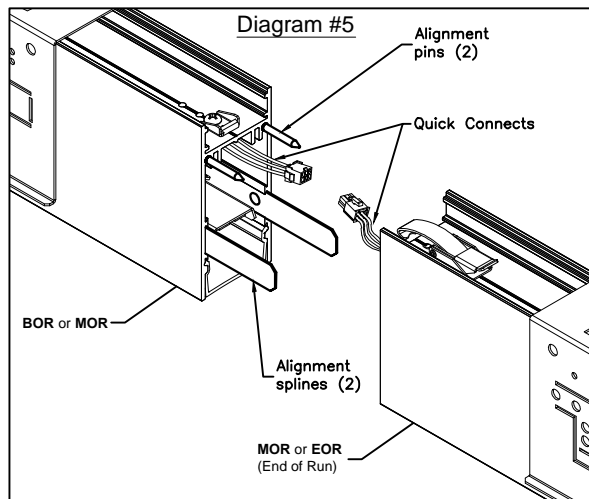
- 1) Lift fixture into place above ceiling grid. Handle fixture carefully to avoid bowing and/or fixture distortion. Lower fixture onto ceiling grid, making sure bent-out grid clips and fixture flanges or "standoffs" rest on tees.
- 2) Hand-bend grid clip to press securely against side of tee (Bend #1) then beneath bulb of tee (Bend #2). **[Both sides of fixture]**
- 3) Secure fixture 1/4-20 studs, 2 per fixture, to structure above via coupler and threaded rod (by others). **[Both sides of fixture]**
- 4) Make sure power is off at electrical panel. Make electrical connections per NEC and local codes.
- 5) If fixture is individual, install correct lamp(s) and lens. **Lens lengths usually correspond to fixture lengths.** If fixture is BoR (Beginning of Run), go to next section.

Diagram #4



**JOIN FIXTURES IN CONTINUOUS RUN:**

1. Bring 2nd fixture close to installed fixture as shown in Diagram #5.
2. Connect each reflector assembly via quick connect plugs.
3. Line up the two housings by using the alignment pins and splines, 2 ea. per joint, factory installed in BoR and MoR (Middle of Run) fixtures. Press-fit housings together in tight butt-joint. **Be careful not to pinch harness wires between sheet metal or extrusion.**
4. Secure fixtures together with catch and latch as shown in Diagram #6.
5. Repeat for each fixture in row.



**WARNING - RISK OF FIRE AND ELECTRICAL SHOCK. FIXTURE MUST BE INSTALLED BY A QUALIFIED ELECTRICIAN ONLY. FIXTURE IS INTENDED FOR INSTALLATION IN ACCORDANCE WITH THE NATIONAL ELECTRICAL CODE, LOCAL AND FEDERAL SPECIFICATIONS. DISCONNECT POWER AT ELECTRICAL PANEL BEFORE SERVICING. RETAIN THESE INSTRUCTIONS FOR MAINTENANCE REFERENCE.**

**REFLECTOR REMOVAL:  
(only required to access driver)**

**WARNING: Electrostatic and polarity sensitive device.  
Use caution while handling and wiring.**

**1.) LED Fixture:**

Consult Amerlux for LED maintenance.

**2.) LED Replacement:**

For LED board replacement reference 689-0500 Instruction Sheet

**3.) Driver maintenance:**

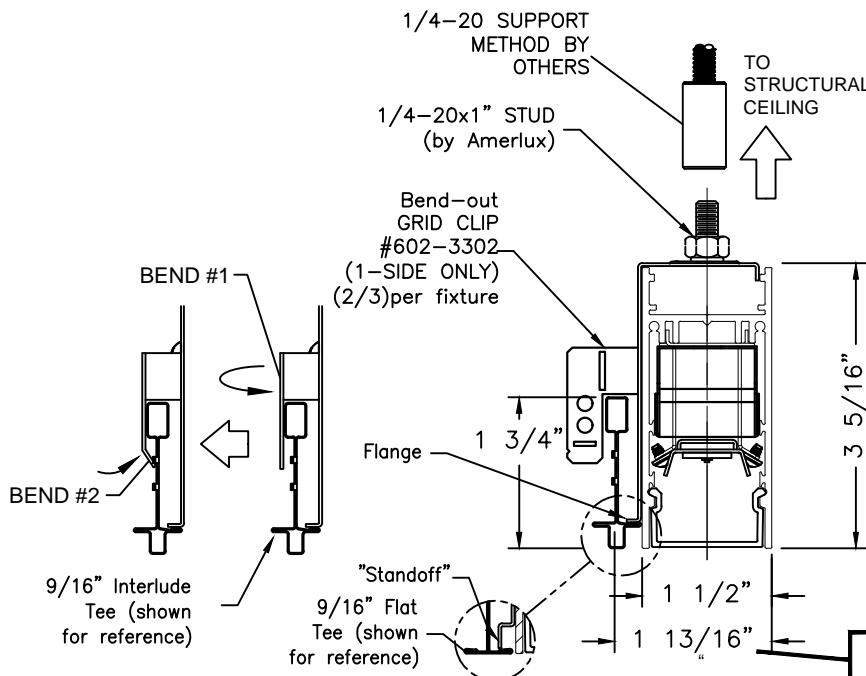
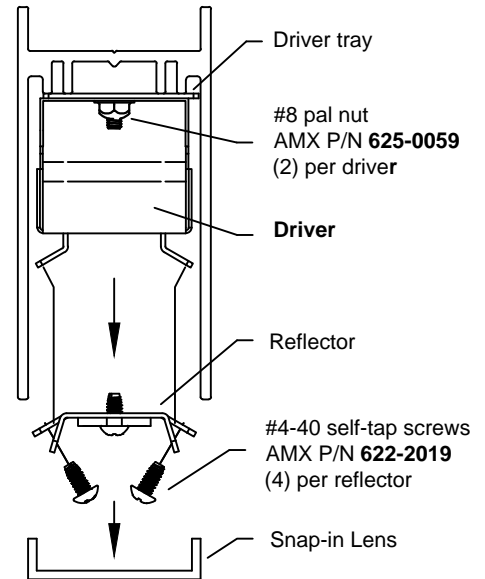
Drivers are located on tray beneath bottom reflectors, secured by (2) #8 pal nuts per driver.

Remove the reflector mounting screws to access.

For driver replacement, please specify:

Manufacturer, Model No, and Current Setting (  mA).

See 710-0134 Wiring Schematic for more details.



**CUSTOM INSTALL ONLY:  
FIXTURE: GRUV1.5-GRID/XX**

**ALTERNATE MOUNTING  
GRID BRACKET (1-SIDE ONLY)**

**MUST BE SECURED TO  
STRUCTURE  
(BY OTHERS)**

**USED WHEN (1) SIDE IS EXPOSED  
OR CEILING INTERFACE  
INDEPENDANT OF FIXTURE.**