

INSTRUCTION SHEET



SOLACE RLW/SLW FIXTURE MILL WORK INSTALLATION

689-0874

PAGE 1 OF 3

WARNING - RISK OF FIRE AND ELECTRICAL SHOCK. FIXTURE MUST BE INSTALLED BY A QUALIFIED ELECTRICIAN ONLY. FIXTURE IS INTENDED FOR INSTALLATION IN ACCORDANCE WITH THE NATIONAL ELECTRICAL CODE, LOCAL AND FEDERAL SPECIFICATIONS. DISCONNECT POWER AT ELECTRICAL PANEL BEFORE SERVICING.

RETAIN THESE INSTRUCTIONS FOR MAINTENANCE REFERENCE.

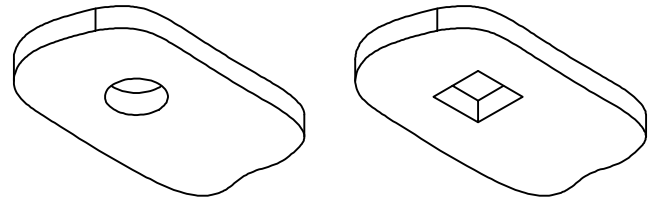
1. CEILING CUT OUT

ROUND: Ø3.5"

SQUARE: 3.5" x 3.5"

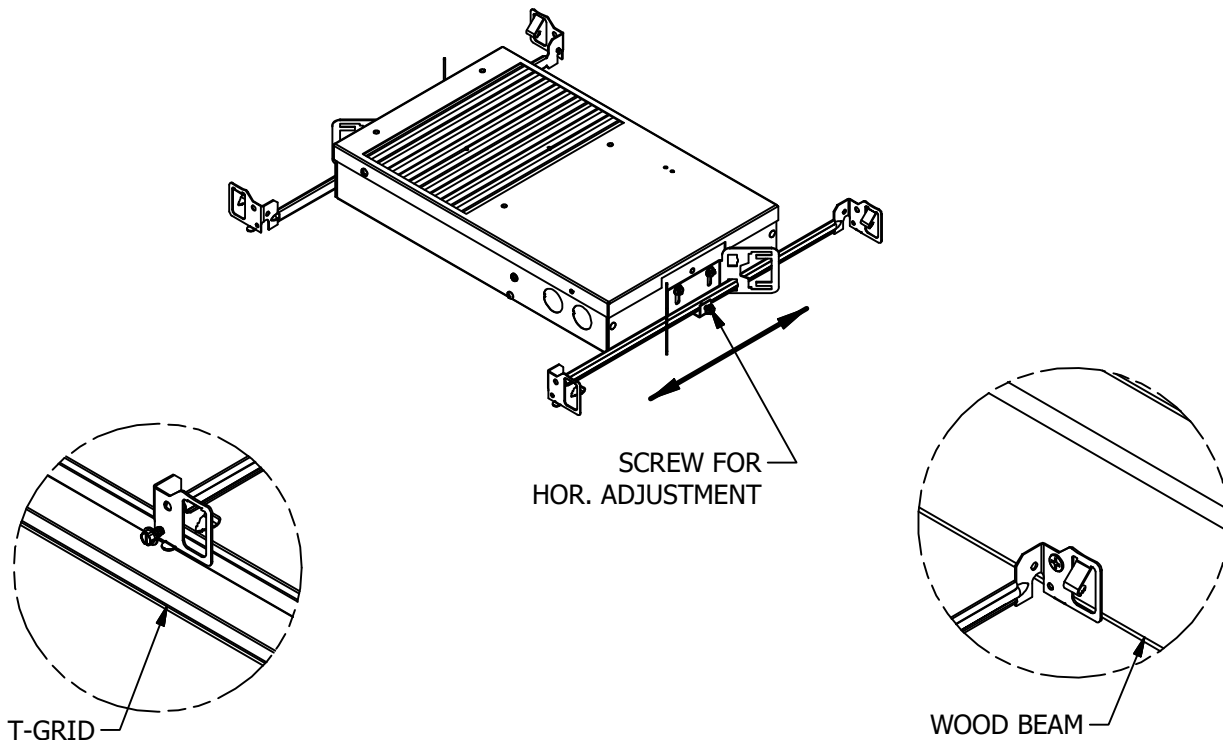
NOTE:

CEILING CUTOUT MUST BE EXACT. FAILURE TO DO SO WILL RESULT IN EITHER A GAP BETWEEN THE CEILING AND THE TRIM OR THE TRIM NOT BEING FLUSH WITH THE CEILING.



2. FRAME INSTALLATION / HORIZONTAL ADJUSTMENT

SPREAD HANGER BARS TO APPROPRIATE DISTANCE. FASTEN HANGER BARS TO STRUCTURAL MEMBERS (HARDWARE BY OTHERS). TIGHTEN SCREW ONCE FIXTURE IS CORRECTLY LOCATED. NOTCHES ARE PROVIDED FOR FASTENING TO STANDARD T-BAR GRID CEILING.



NOTE: ROUND FRAME INSTALLATION SHOWN. FOLLOW SAME PROCEDURE TO INSTALL SQUARE FRAME.

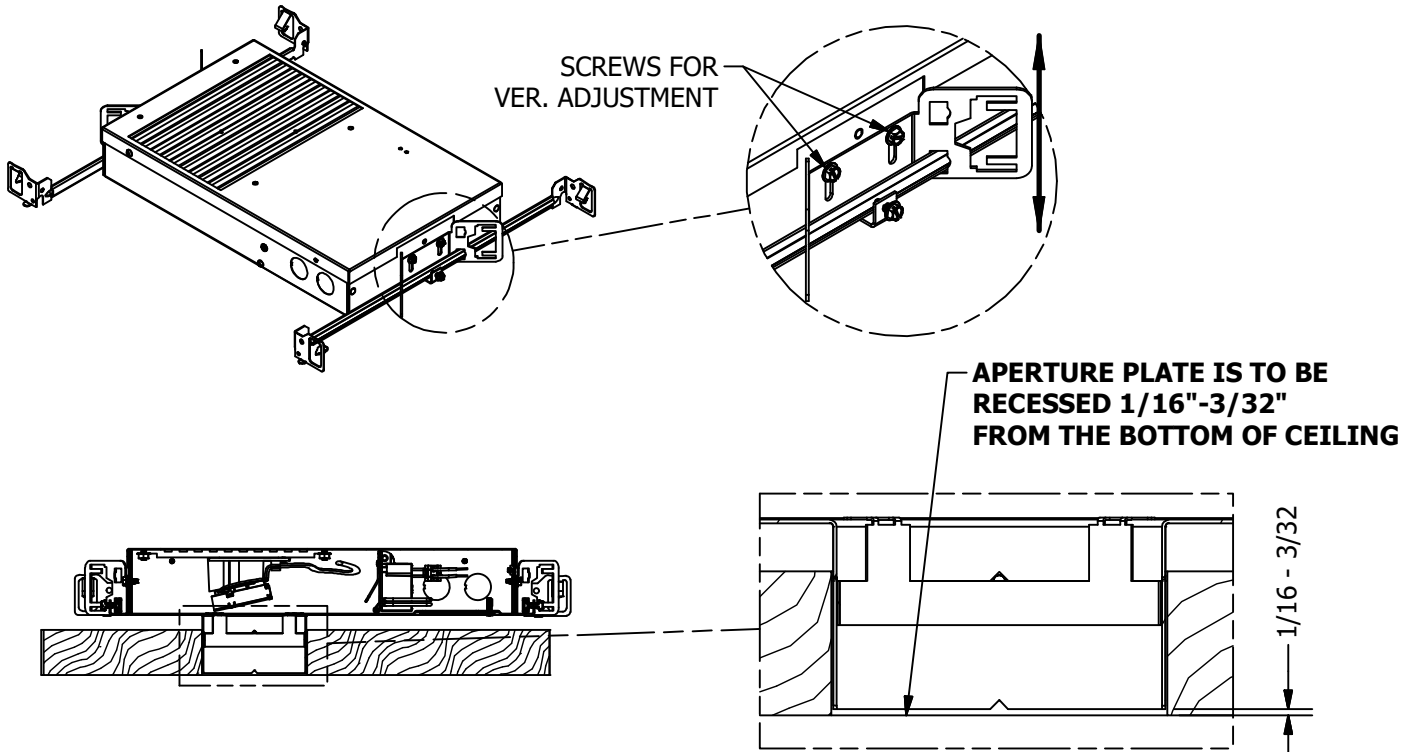
Amerlux, 178 Bauer Drive, Oakland, N.J. 07436, T: 973-882-5010, F: 973-882-2604 www.amerlux.com

WARNING - RISK OF FIRE AND ELECTRICAL SHOCK. FIXTURE MUST BE INSTALLED BY A QUALIFIED ELECTRICIAN ONLY. FIXTURE IS INTENDED FOR INSTALLATION IN ACCORDANCE WITH THE NATIONAL ELECTRICAL CODE, LOCAL AND FEDERAL SPECIFICATIONS. DISCONNECT POWER AT ELECTRICAL PANEL BEFORE SERVICING.

RETAIN THESE INSTRUCTIONS FOR MAINTENANCE REFERENCE.

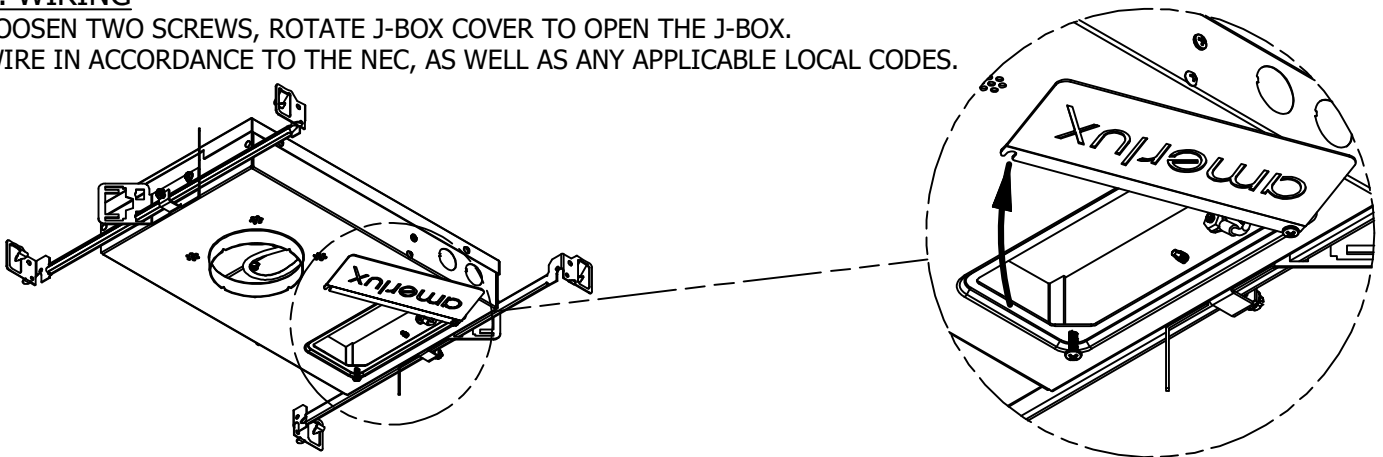
3. FRAME INSTALLATION / VERTICAL ADJUSTMENT

FOR VERTICAL ADJUSTMENT LOOSEN TWO SCREWS, ADJUST FIXTURE HEIGHT SO THAT APERTURE RING SITS ABOVE CEILING SURFACE. TIGHTEN SCREWS ONCE ADJUSTED.



4. WIRING

LOOSEN TWO SCREWS, ROTATE J-BOX COVER TO OPEN THE J-BOX. WIRE IN ACCORDANCE TO THE NEC, AS WELL AS ANY APPLICABLE LOCAL CODES.



NOTE: ROUND FRAME INSTALLATION SHOWN. FOLLOW SAME PROCEDURE TO INSTALL SQUARE FRAME.

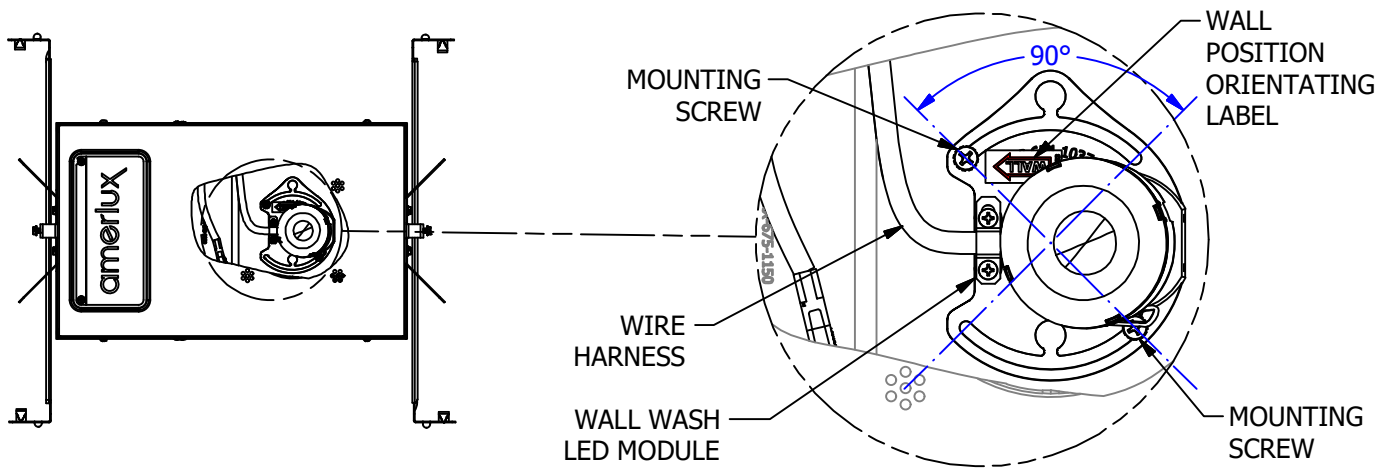
Amerlux, 178 Bauer Drive, Oakland, N.J. 07436, T: 973-882-5010, F: 973-882-2604 www.amerlux.com

WARNING - RISK OF FIRE AND ELECTRICAL SHOCK. FIXTURE MUST BE INSTALLED BY A QUALIFIED ELECTRICIAN ONLY. FIXTURE IS INTENDED FOR INSTALLATION IN ACCORDANCE WITH THE NATIONAL ELECTRICAL CODE, LOCAL AND FEDERAL SPECIFICATIONS. DISCONNECT POWER AT ELECTRICAL PANEL BEFORE SERVICING.

RETAIN THESE INSTRUCTIONS FOR MAINTENANCE REFERENCE.

LED MODULE REORIENTATION AND REPLACEMENT

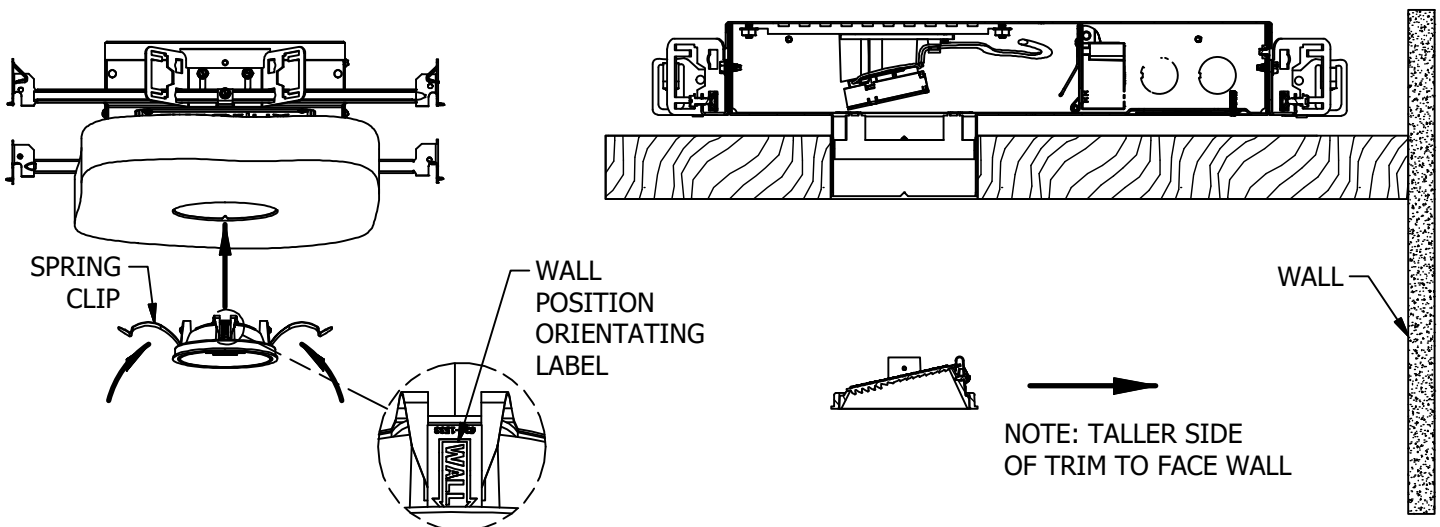
THE LED MODULE CAN BE ROTATED UP TO 90° FROM THE INSTALLED POSITION, (LED MODULE HAS WALL POSITION ORIENTATING LABEL). IF OPPOSITE WALL NEEDS TO BE HILIGHTED BY THE FIXTURE, DISMOUNT THE LED MODULE, ROTATE IT 180° FROM ORIGINAL POSITION, AND REINSTALL IT. WHILE DISMOUNTING, MAKE SURE TO DISCONNECT WIRE HARNESS. THEN, LOOSEN BUT DON'T REMOVE TWO MOUNTING SCREWS, ROTATE LED MODULE ALONG RADIAL SLOTS TO RELEASE IT. REVERSE STEPS TO INSTALL.



5. TRIM INSTALLATION

TO INSTALL, COMPRESS AND HOLD TWO SPRING CLIPS, THEN LIFT TRIM INTO APERTURE.

NOTE: WHEN INSTALLING TRIM, TRIM WITH HIGHER SIDE CUT SHOULD FACE WALL, (TRIM HAS WALL POSITION ORIENTATING LABEL).



NOTE: ROUND FRAME INSTALLATION SHOWN. FOLLOW SAME PROCEDURE TO INSTALL SQUARE FRAME.

Amerlux, 178 Bauer Drive, Oakland, N.J. 07436, T: 973-882-5010, F: 973-882-2604 www.amerlux.com