

SPEQ-L

Large Cylinder Track Head

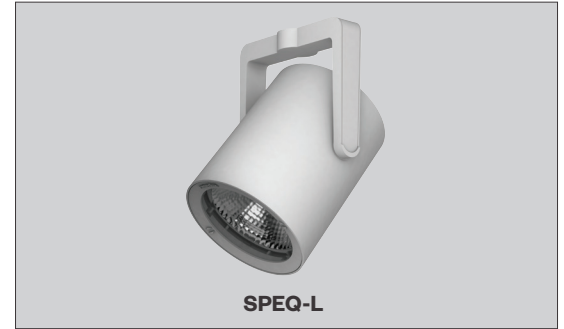


PROJECT:

TYPE:

Features

The SPEQ Series fixtures are built to last with replaceable LED drivers and LEDs, making them durable and **sustainable choices** for your lighting needs. Designed to let the interior design and not the lighting take center stage, the SPEQ track head from Amerlux balances clean, minimal aesthetic design with industry leading optical performance. The fixture has no visible heat sink or venting and has snoot perfectly matched to provide excellent glare control while maintaining the clean fixture lines. The integral driver is fully featured with low end dimming and full 2.5 KV surge protection (not a lamp driver!) Perfect for Galleries, Retail and Commercial interiors SPEQ uses high end optical designs to ensure your space is lit perfectly and efficiently.



SPEQ-L

Product Overview

Type: Track Accent & Display
Wattage: 33W, 41W, 48W
Color Temp: 2700K, 3000K, 3500K, 4000K
CRI: 83 typ. or 90+ typ.
CrispWhite & 3K Class A LED's available
Dimming: TRIAC & ELV, 5% Dim, 120/277VAC
Weight: 4.0 lbs (without accessories)

Certifications



Fixture Summary

Performance Data

| Watts | Delivered Lumens | LPW | CBCP | Color Temp-CRI |
|-------|------------------|------|--------|----------------|
| 33 | 3193 | 96.8 | 40,281 | 3000K-83 |
| 41 | 3805 | 92.8 | 48,007 | 3000K-83 |
| 48 | 4374 | 91.3 | 55,180 | 3000K-83 |

Data is based on 3000K-83 120V IES files available on website.
Data is based on Spot optic. See pg 5-6 for other beam spreads.

Electrical Data

| Voltage | 33W | | 41W | | 48W | |
|---------|--------------|------|--------------|------|--------------|------|
| | System Watts | Amps | System Watts | Amps | System Watts | Amps |
| 120V | 33 | 0.28 | 41 | 0.34 | 48 | 0.40 |
| 277V | 33 | 0.12 | 41 | 0.15 | 48 | 0.17 |

Electronic constant current LED driver.

SPEQ-L

Large Cylinder Track Head



| | |
|-----------------|--------------|
| PROJECT: | TYPE: |
|-----------------|--------------|

Ordering Informationv



| 1 | Model | 2 | Wattage | 3 | Finish |
|---|------------|---|---------|---|--|
| | SPEQ-L-A17 | | 33 | | WT white texture |
| | | | 41 | | BT black texture |
| | | | 48 | | ST silver texture |
| | | | | | <i>Other finishes, consult factory</i> |

| 4 | Mounting | 5 | Voltage | 6 | Beam Spreads |
|---|--|---|---------|---|--|
| | TN1 Global GES 1cir/H-Style, 120V | | 120 | | SP spot, 12° |
| | TEK Global TEK 2cir/2neut, 120V | | 277 | | NF narrow flood, 17° |
| | TN3 Global XTS 3cir, 120V | | | | FL flood, 25° |
| | TN2 Global HTEK 2cir/2neut, 277V | | | | WF wide flood, 40° |
| | CT J-Style 1 or 2 cir, 120V | | | | LS linear spread lens, 40° x 13° (<i>reduces # of accessories by 1, if applicable</i>) |
| | LOL L-Style 1cir, 120V | | | | |
| | CPR Capri 1cir, 120V | | | | |
| | C canopy, 120V or 277V | | | | |
| | CCL2-SCP C-clamp, black, with straight cord*, 6' 120V | | | | |
| | CCL2-CCP C-clamp, black, with coil cord*, 5' 120V | | | | |
| | <i>Notes: * Black cord used for BT & ST finish. White cord used for WT finish.</i> | | | | |

| 7 | Color Temp | 8 | Driver | 9 | Options/Accessories |
|---|-------------|------------------|-------------------------------------|---|--|
| | 83 CRI | | LE/TE TRIAC/ELV dimming, 120/277VAC | | <i>(standard front door accepts up to 2 accessories)</i> |
| | 27 2700K-83 | 279 2700K-90+ | | | SN snoot (<i>accepts up to 2 accessories or cross blade + 1 accessory</i>) |
| | 30 3000K-83 | 309 3000K-90+ | | | HEX hexcell louver |
| | 35 3500K-83 | 359 3500K-90+ | | | SOL solite beam softening lens |
| | 40 4000K-83 | 409 4000K-90+ | | | CB cross blade (<i>requires snoot</i>) |
| | | CRISP CrispWhite | | | |
| | | 3CLA 3K Class A | | | |

SPEQ-L

Large Cylinder Track Head



PROJECT:

TYPE:

Specifications

Application

Retail, Museum, Gallery, Hospitality and Commercial accent and display lighting

Construction

Complete die-cast aluminum construction
No exposed wiring
Unique magnetic dual lock front door

Optical

Patented Amerlux designed TIR optical system.
0-90° lockable tilt, 360° rotation
Tilt indicating marks for common tilt positioning
Beam Spreads: Spot 12°, Narrow Flood 17°, Flood 25°,
Wide Flood 40°, Linear Spread 40° x 13°

LED

Color Temp Options: 2700K, 3000K, 3500K, 4000K
CRI: 83 typ. or 90+ typ.
CrispWhite* and Class A** 3000K LEDs available
R9 Values: 11 (83 CRI), 55 (90+ CRI)
Binning: 3-step MacAdam ellipse (SDCM)
Life: 50,000+ hrs, > 70% of initial lumens at 50,000 hrs
**CrispWhite: CrispWhite Technology delivers the warmth of colors expected from a high 90 CRI solution but also creates the natural crisp white color similar to CMH sources. It creates impactful lighting by revealing the richest whites and vibrant colors that pop.*
***Class A LED: Class A LED's have a CRI > 80 and a GAI > 80. CRI defines color "Naturalness" and GAI defines color "Saturation." Both being high delivers rich colors and pure whites.*

Electrical

Wattage: 33W, 41W, 48W
Electronic constant current LED driver, 120/277VAC input
This product complies with IEEE C62.41 for surge endurance up to 2.5KV. Amerlux® recommends using additional surge protection with this unit (supplied by others), surge and over voltage damage is not covered under warranty.

Driver

LE/TE - Leading Edge (Triac, Forward Phase) or Trailing Edge (ELV, Reverse Phase) autosensing driver dims down to 5% on most dimming systems.
See dimming pages for more information.

Finish

Powder coat paint.
Standard Colors: White Texture, Black Texture, Silver Texture
Consult factory for custom RAL powder coat finishes

Mounting

Track, canopy and c-clamp.
Note: Recommend track fixture mounting to horizontal surface mounted/pendant mounted track only

Certifications

Approved to UL standards as tested by CSA.
Intended for indoor use only.

Warranty

5 year limited warranty

SPEQ-L

Large Cylinder Track Head

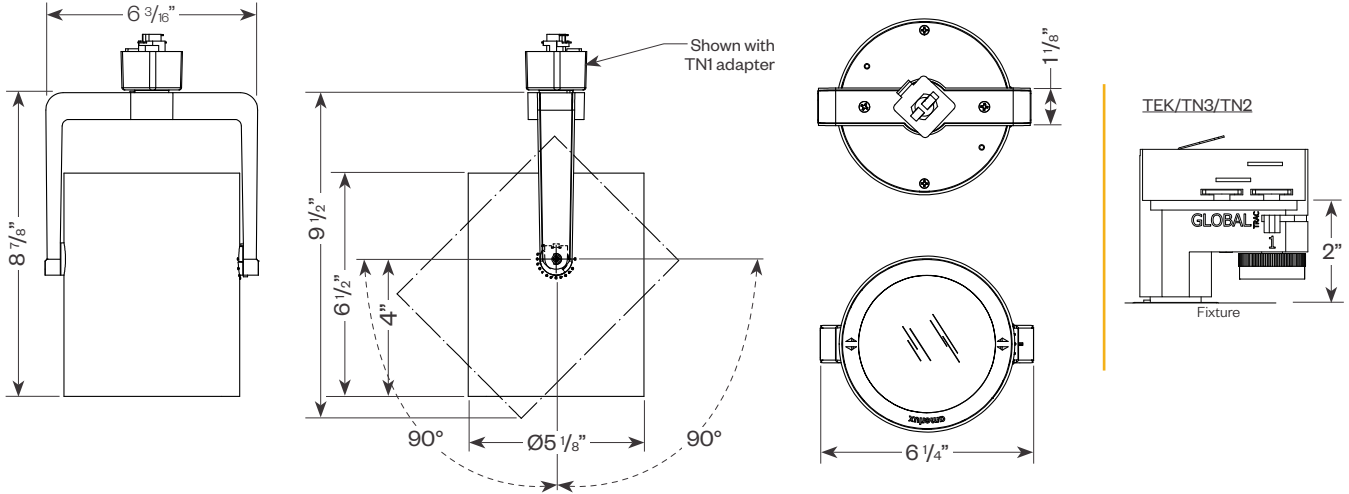


PROJECT:

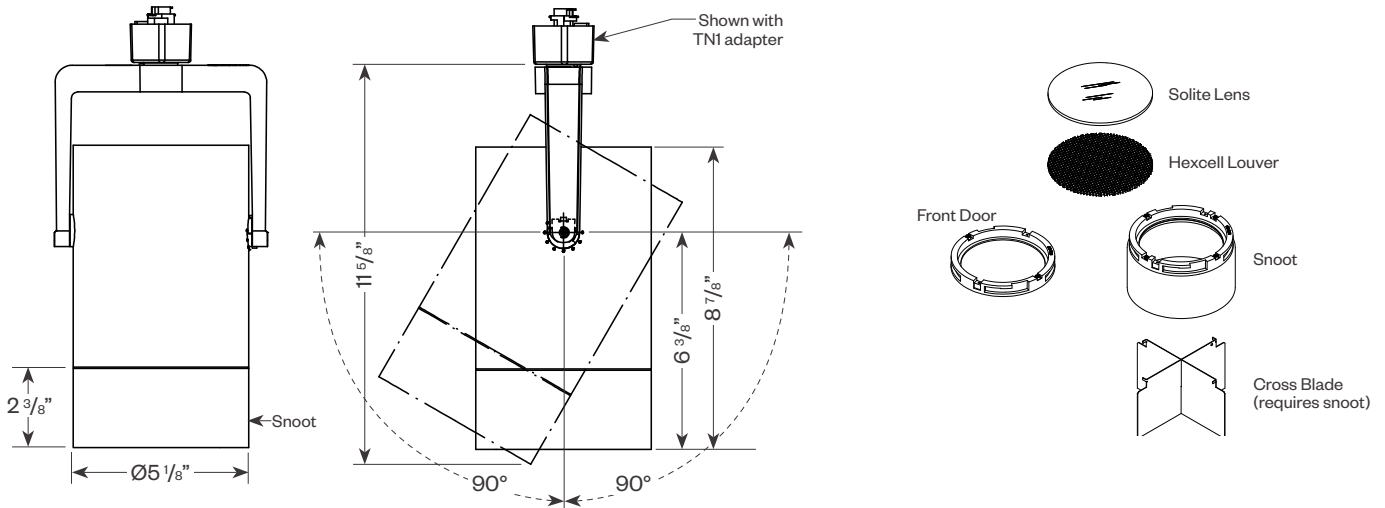
TYPE:

Product Details

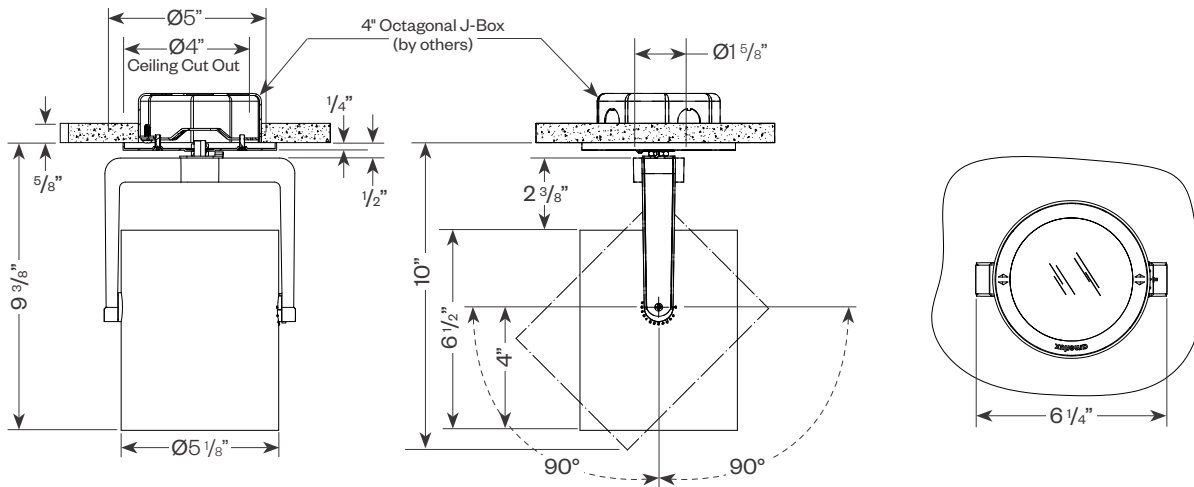
SPEQ-L



SPEQ-L Snoot & Accessories



SPEQ-L Canopy Mount



SPEQ-L

Large Cylinder Track Head



PROJECT:

TYPE:

Performance Data

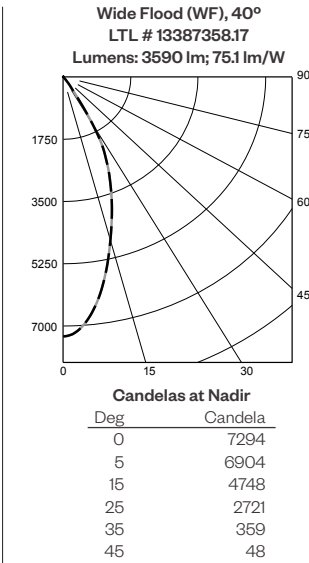
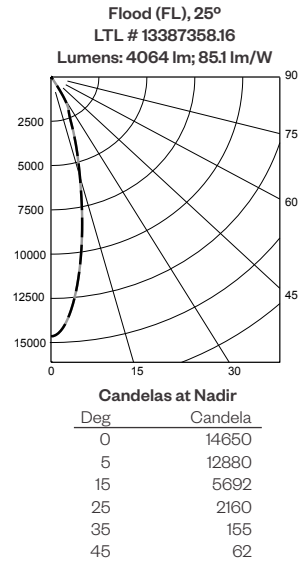
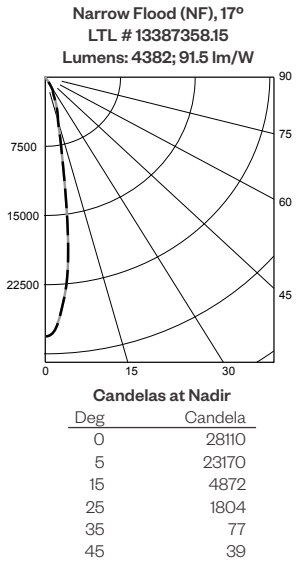
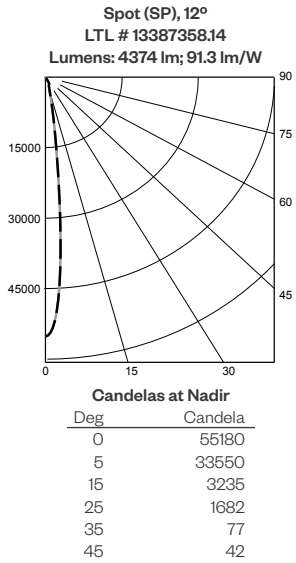
Multiplying Factors: (Multiplying Factor is based on 3000K-83 120V IES file on website)

| CCT: | 2700K-83 | 3000K-83 | 3500K-83 | 4000K-83 |
|---------|----------|----------|----------|----------|
| Factor: | 0.96 | 1.0 | 1.02 | 1.04 |

| Wattage: | 33W | 41W | 48W |
|----------|------|------|-----|
| Factor: | 0.73 | 0.87 | 1.0 |

| CCT: | 2700K-90+ | 3000K-90+ | 3500K-90+ | 4000K-90+ | CRISP | 3CLA |
|---------|-----------|-----------|-----------|-----------|-------|------|
| Factor: | 0.80 | 0.83 | 0.87 | 0.90 | 0.65 | 0.75 |

48W LED, 3000K-83



Application Data

Notes and Definitions:

Beam spread is to 50% center beam candlepower (CBCP).

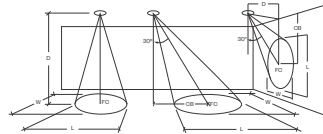
D=Distance to floor or wall.

FC=Footcandles on floor or wall at center beam aiming location.

L=Effective Visual Beam length in feet (50% of maximum footcandle level).

W=Effective Visual Beam width in feet (50% of maximum footcandle level).

CB=Distance across or down to center beam location.



| | 0° Aiming Angle Horizontal Footcandles | | | | 30° Aiming Angle Horizontal Footcandles | | | | | 30° Aiming Angle Vertical Footcandles | | | | | 60° Aiming Angle Vertical Footcandles | | | | |
|-----------------|--|------|-----|-----|---|------|-----|-----|-----|---|-----|-----|-----|------|---|------|-----|-----|-----|
| | D | FC | L | W | D | FC | L | W | CB | D | FC | L | W | CB | D | FC | L | W | CB |
| SPOT | 5.0' | 2204 | 1.1 | 1.1 | 5.0' | 1421 | 1.3 | 1.2 | 3.0 | 3.0' | 827 | 2.3 | 1.2 | 5.0 | 3.0' | 2775 | 1.2 | 1.1 | 2.0 |
| | 7.5' | 980 | 1.4 | 1.4 | 7.5' | 621 | 2.2 | 1.6 | 4.0 | 4.0' | 460 | 3.0 | 1.4 | 6.0 | 4.0' | 1999 | 1.3 | 1.1 | 2.0 |
| | 10.0' | 552 | 2.0 | 2.0 | 10.0' | 350 | 2.8 | 2.5 | 6.0 | 5.0' | 310 | 3.6 | 1.8 | 8.0 | 5.0' | 1377 | 1.4 | 1.2 | 3.0 |
| | 12.5' | 354 | 2.7 | 2.7 | 12.5' | 234 | 3.4 | 3.0 | 7.0 | 6.0' | 208 | 4.5 | 2.5 | 10.0 | 6.0' | 890 | 2.0 | 1.3 | 3.0 |
| NARROW FLOOD | 5.0' | 1126 | 1.4 | 1.4 | 5.0' | 726 | 2.0 | 1.6 | 3.0 | 3.0' | 454 | 3.1 | 1.5 | 4.0 | 3.0' | 1622 | 1.5 | 1.2 | 2.0 |
| | 7.5' | 501 | 2.4 | 2.4 | 7.5' | 335 | 3.0 | 2.7 | 4.0 | 4.0' | 270 | 3.9 | 2.1 | 6.0 | 4.0' | 1148 | 1.7 | 1.3 | 2.0 |
| | 10.0' | 282 | 3.1 | 3.1 | 10.0' | 182 | 4.0 | 3.4 | 6.0 | 5.0' | 175 | 4.8 | 2.8 | 7.0 | 5.0' | 709 | 2.2 | 1.6 | 3.0 |
| | 12.5' | 181 | 3.7 | 3.7 | 12.5' | 121 | 4.9 | 4.3 | 7.0 | 6.0' | 121 | 5.9 | 3.3 | 9.0 | 6.0' | 511 | 2.4 | 1.9 | 3.0 |
| FLOOD | 5.0' | 587 | 2.1 | 2.1 | 5.0' | 379 | 2.9 | 2.6 | 3.0 | 3.0' | 279 | 3.9 | 2.3 | 4.0 | 3.0' | 879 | 2.2 | 1.5 | 2.0 |
| | 7.5' | 261 | 3.2 | 3.2 | 7.5' | 177 | 4.3 | 3.6 | 4.0 | 4.0' | 157 | 5.0 | 3.1 | 5.0 | 4.0' | 619 | 2.2 | 1.9 | 2.0 |
| | 10.0' | 147 | 4.2 | 4.2 | 10.0' | 99 | 5.4 | 4.8 | 5.0 | 5.0' | 99 | 6.4 | 3.8 | 7.0 | 5.0' | 370 | 2.9 | 2.6 | 3.0 |
| | 12.5' | 95 | 5.3 | 5.3 | 12.5' | 63 | 6.8 | 6.0 | 7.0 | 6.0' | 71 | 8.0 | 4.5 | 8.0 | 6.0' | 276 | 3.3 | 3.0 | 3.0 |
| WIDE FLOOD | 5.0' | 293 | 3.3 | 3.3 | 5.0' | 201 | 3.9 | 3.6 | 2.0 | 3.0' | 188 | 3.9 | 3.0 | 3.0 | 3.0' | 534 | 2.4 | 2.2 | 1.0 |
| | 7.5' | 130 | 4.8 | 4.8 | 7.5' | 90 | 5.9 | 5.4 | 3.0 | 4.0' | 106 | 4.8 | 4.0 | 4.0 | 4.0' | 321 | 3.1 | 3.0 | 2.0 |
| | 10.0' | 74 | 6.4 | 6.4 | 10.0' | | 7.6 | 6.9 | 5.0 | 5.0' | 68 | 6.4 | 5.0 | 5.0 | 5.0' | 205 | 3.9 | 3.6 | 2.0 |
| | 12.5' | 47 | 7.9 | 7.9 | 12.5' | | 9.5 | 8.7 | 6.0 | 6.0' | 48 | 7.6 | 6.1 | 6.0 | 6.0' | 143 | 4.7 | 4.4 | 3.0 |

SPEQ-L

Large Cylinder Track Head



PROJECT:

TYPE:

Performance Data

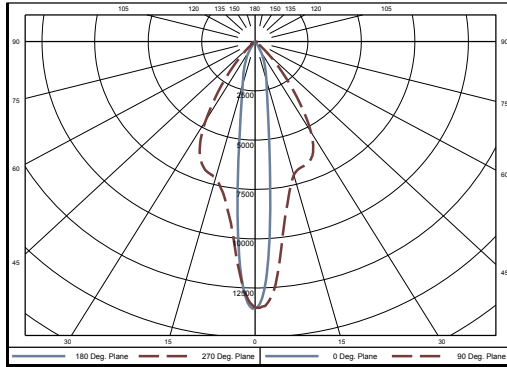
Multiplying Factors: (Multiplying Factor is based on 3000K-83 120V IES file on website)

| CCT: | 2700K-83 | 3000K-83 | 3500K-83 | 4000K-83 |
|---------|----------|----------|----------|----------|
| Factor: | 0.96 | 1.0 | 1.02 | 1.04 |

| Wattage: | 33W | 41W | 48W |
|----------|------|------|-----|
| Factor: | 0.73 | 0.87 | 1.0 |

| CCT: | 2700K-90+ | 3000K-90+ | 3500K-90+ | 4000K-90+ | CRISP | 3CLA |
|---------|-----------|-----------|-----------|-----------|-------|------|
| Factor: | 0.80 | 0.83 | 0.87 | 0.90 | 0.65 | 0.75 |

Linear Spread (LS), 40° x 13°
LTL #13387358.18
Lumens: 3588 lm



ZONAL LUMEN SUMMARY

| Zone | Lumens | %Fixt |
|--------|--------|-------|
| 0-40 | 3167 | 88.3 |
| 0-60 | 3445 | 96.0 |
| 0-90 | 3588 | 100.0 |
| 90-180 | 0 | 0.0 |

Luminaire Efficacy = 75 lm/W

Application Data

10' Mounting Height



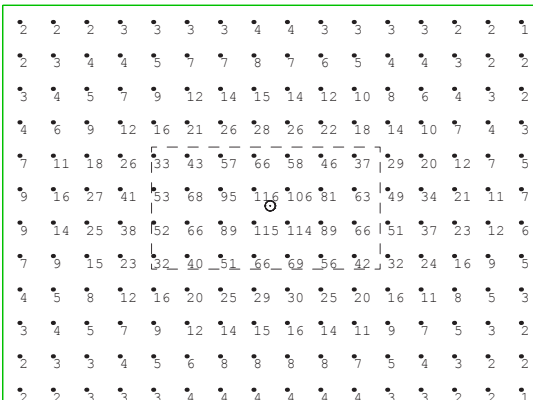
Footcandles on Floor



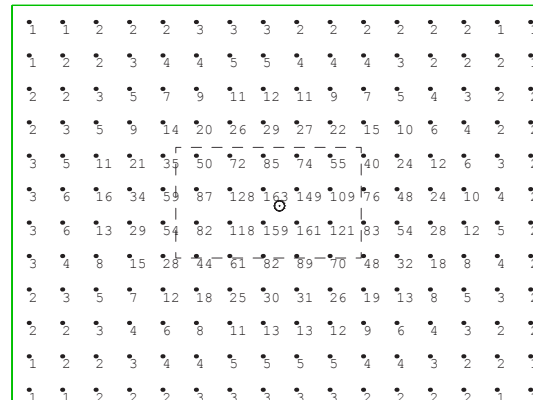
0° Aiming Angle
Horizontal
Footcandles

[] = Approximate 50% visual beam

8' Mounting Height



6' Mounting Height



SPEQ-L

Large Cylinder Track Head



| | |
|-----------------|--------------|
| PROJECT: | TYPE: |
|-----------------|--------------|

Dimming Compatibility

Amerlux® SPEQ® fixtures are compatible with all major dimming protocols prevalent in the United States. Please see below for general compatibilities and wiring diagrams. Amerlux recommends testing your unique dimming configuration as the exact full configuration (*Dimmer, Fixture Quantity, Voltage, etc*) may affect dimming performance.

--- NOTE: INFORMATION BELOW IS FOR WIRED DIMMERS ONLY. FOR WIRELESS DIMMERS, CONSULT FACTORY ---

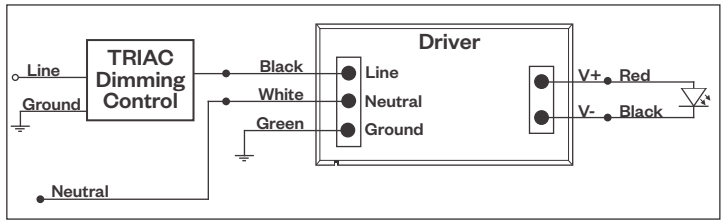
TRIAC (Forward Phase) Dimming

Utilizes standard TRIAC dimmers that are in wide use in installations across the US. Best for retrofit applications where TRIAC dimmers are installed.

Notes:

- 120VAC or 277VAC*
- Dims down to 5% light output (*most cases*)
- Consult Dimming manufacturer for installation instructions - **DO NOT SHARE NEUTRALS!**
- Must meet dimmer Minimum Load Requirements per dimming manufacturer

TRIAC Wiring Diagram



| Compatible Dimmers†: | |
|-------------------------|----------------------|
| Wall Box (TRIAC 120VAC) | Central System |
| Lutron "Diva" | Lutron "GP" Panel |
| Lutron "Nova-T" | Lutron Grafik Eye QS |
| Lutron "Maestro" | |
| Lutron "Skylark" | |

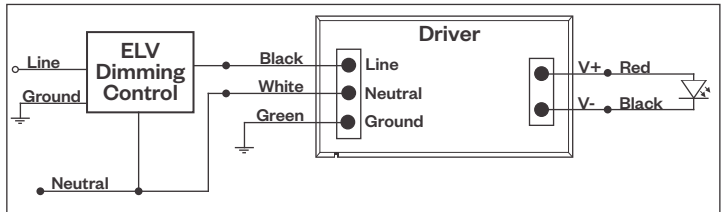
ELV - Electronic Low Voltage (Reverse Phase) Dimming

Utilizes specialized "ELV" dimmers.

Notes:

- 120VAC or 277VAC*
- Dims down to 5% light output (*most cases*)
- Consult Dimming manufacturer for installation instructions - **DO NOT SHARE NEUTRALS!**
- Must meet dimmer Minimum Load Requirements per dimming manufacturer

ELV Wiring Diagram



| Compatible Dimmers†: | | |
|-----------------------|---------------------------|--|
| Wall Box (ELV 120VAC) | Wall Box (ELV 277VAC) | Central System |
| Lutron "Diva" | Leviton Revoir II AWSMT-E | Lutron "GP" Panel with PHPM-PA 120/277VAC |
| Lutron "Nova-T" | | Lutron Grafik Eye QS with PHPM-PA 120/277VAC |
| Lutron "Maestro" | | |
| Lutron "Skylark" | | |
| Leviton "Surslide" | | |
| Leviton "Vizio" | | |

Notes:
 * Driver is 277VAC dimmable with appropriate dimmer (*by others*). All provided wiring diagrams show 120VAC wiring colors and method. Please refer to 277VAC dimmer installation instructions for 277VAC wiring diagrams.
 † The absence of a dimmer from the lists above does not imply incompatibility. Please consult factory for compatibility inquiries.