



**INSTRUCTION SHEET**

**SPEQ BEAM SPREAD REPLACEMENT**

**689-0748**

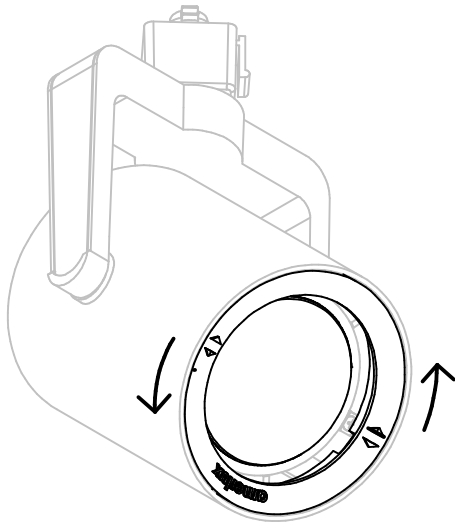
PAGE 1 OF 1

**WARNING - RISK OF FIRE AND ELECTRICAL SHOCK. FIXTURE MUST BE INSTALLED BY A QUALIFIED ELECTRICIAN ONLY. FIXTURE IS INTENDED FOR INSTALLATION IN ACCORDANCE WITH THE NATIONAL ELECTRICAL CODE, LOCAL AND FEDERAL SPECIFICATIONS. DISCONNECT POWER AT ELECTRICAL PANEL BEFORE SERVICING.**

**RETAIN THESE INSTRUCTIONS FOR MAINTENANCE REFERENCE.**

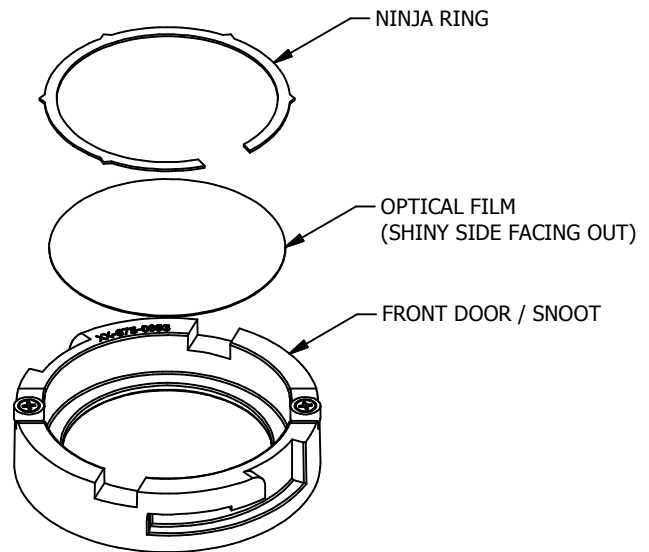
**REMOVE FRONT DOOR**

- TURN DOOR COUNTERCLOCKWISE
- SAME PROCEDURE PERFORMED FOR SPEQ SMALL / MEDIUM / LARGE



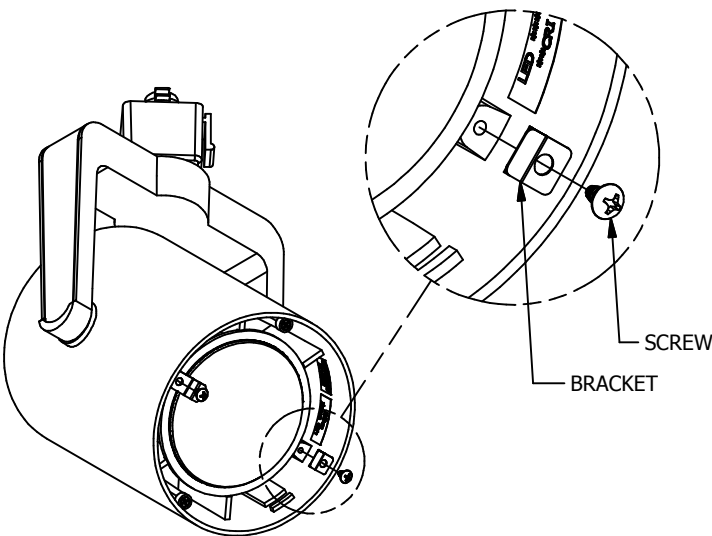
**SPEQ-SMALL**

- REMOVE NINJA RING AND REPLACE OPTICAL FILM.



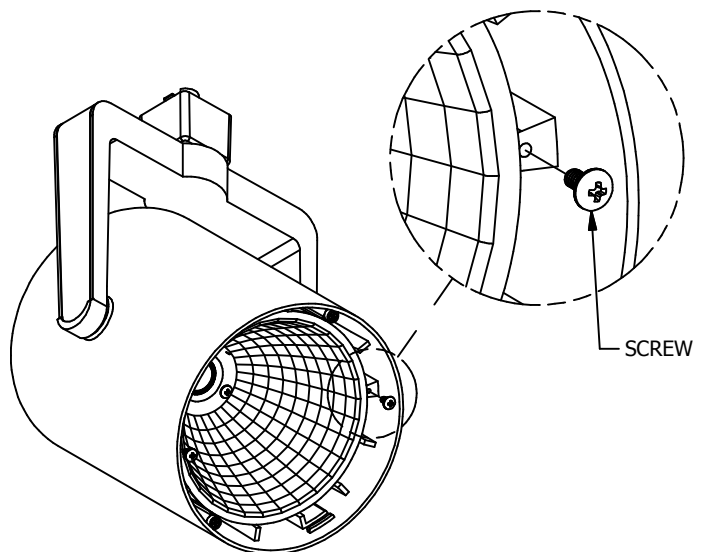
**SPEQ-MEDIUM**

- REMOVE SCREWS AND BRACKETS HOLDING LENS (2 LOCATIONS). REPLACE LENS



**SPEQ-LARGE**

- REMOVE SCREWS HOLDING REFLECTOR (2 LOCATIONS). REPLACE REFLECTOR



**Amerlux, 178 Bauer Drive, Oakland, N.J. 07436, T: 973-882-5010, F: 973-882-2604 [www.amerlux.com](http://www.amerlux.com)**