

INSTRUCTION SHEET



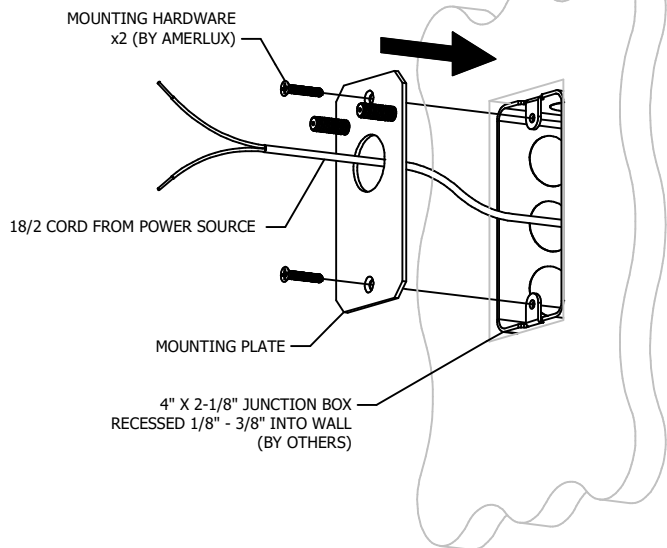
ROOK REMOTE FLUSH WALL MOUNT (ADA COMPLIANT)

689-0793

PAGE 1 OF 1

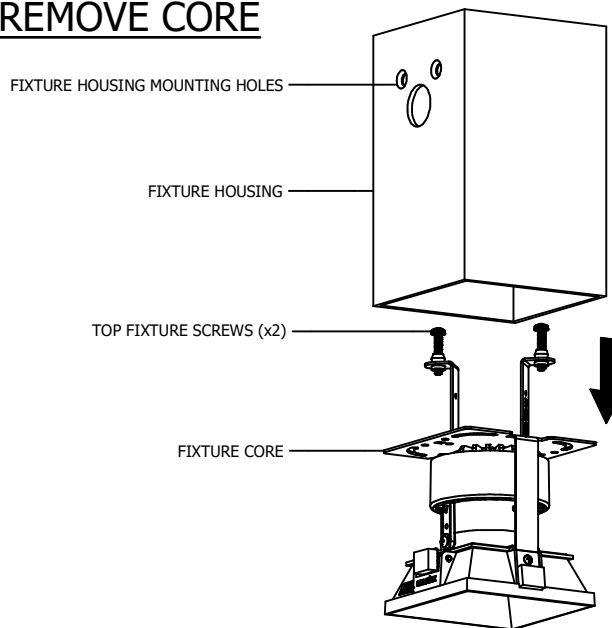
WARNING - RISK OF FIRE AND ELECTRICAL SHOCK. FIXTURE MUST BE INSTALLED BY A QUALIFIED ELECTRICIAN ONLY. FIXTURE IS INTENDED FOR INSTALLATION IN ACCORDANCE WITH THE NATIONAL ELECTRICAL CODE, LOCAL AND FEDERAL SPECIFICATIONS. DISCONNECT POWER AT ELECTRICAL PANEL BEFORE SERVICING. RETAIN THESE INSTRUCTIONS FOR MAINTENANCE REFERENCE.

1 MOUNT PLATE



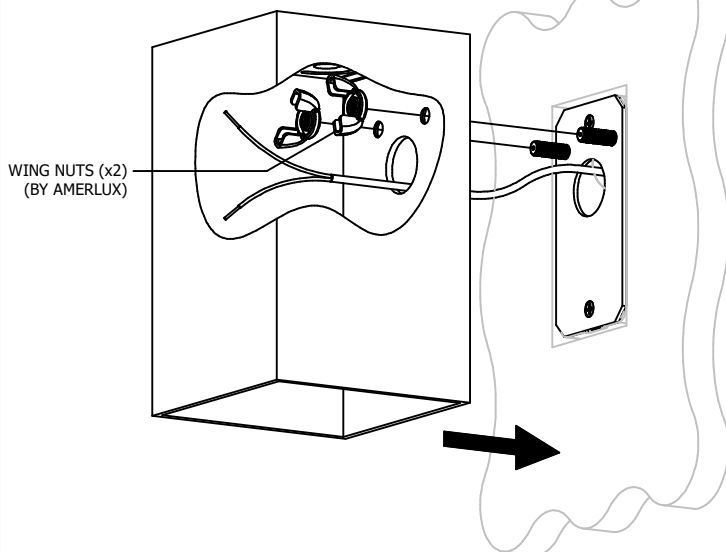
FEED 18/2 CORD THROUGH MOUNTING PLATE CENTERHOLE, THEN ATTACH MOUNTING PLATE AS SHOWN TO J-BOX WITH HARDWARE

2 REMOVE CORE



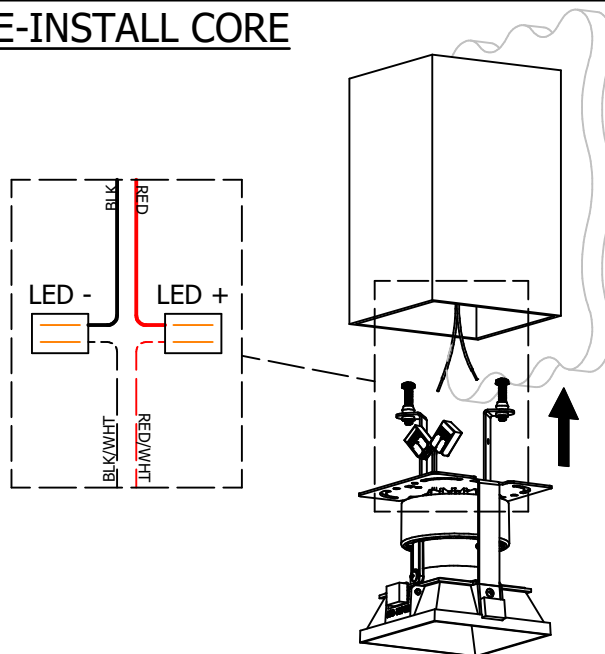
LOOSEN (DON'T REMOVE) TOP FIXTURE SCREWS, ROTATE SCREWS ALONG RADIAL KEYSLOTS, THEN PUSH SCREWS THROUGH KEYSLOT OPENINGS (REFER TO 689-0764 FOR FURTHER INSTRUCTION)

3 MOUNT HOUSING



FEED 18/2 CORD THROUGH HOUSING CENTERHOLE, ALIGN (x2) HOUSING MOUNTING HOLES TO MOUNTING PLATE STUDS, PUSH HOUSING FLUSH AGAINST WALL, THEN THREAD WING NUTS ONTO MOUNTING PLATE STUDS AND FULLY TIGHTEN

4 RE-INSTALL CORE



MAKE ELECTRICAL CONNECTION WITH SUPPLIED WAGOS, THEN INSERT CORE INTO FIXTURE AND ROTATE TOP FIXTURE SCREWS IN KEYSLOTS AND FULLY TIGHTEN

Amerlux, 178 Bauer Drive, Oakland, N.J. 07436, T: 973-882-5010, F: 973-882-2604 www.amerlux.com