

INSTRUCTION SHEET



LARGE TRIPAR UNIVERSAL REMOTE DRIVER BOX

689-0843

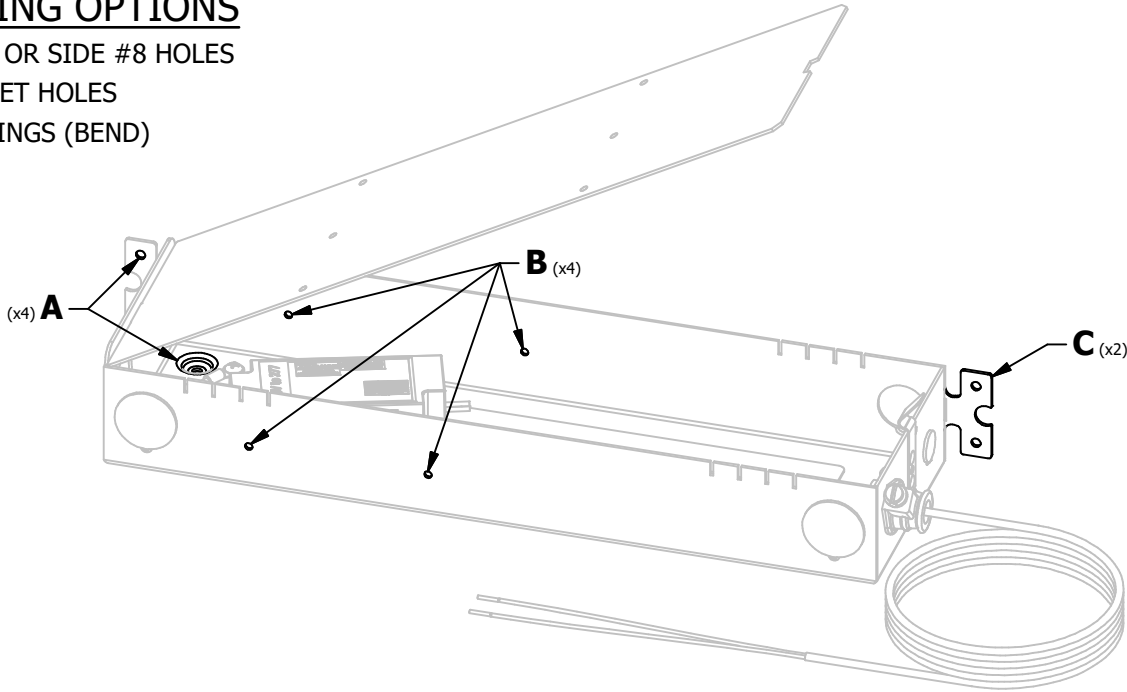
PAGE 1 OF 1

WARNING - RISK OF FIRE AND ELECTRICAL SHOCK. FIXTURE MUST BE INSTALLED BY A QUALIFIED ELECTRICIAN ONLY. FIXTURE IS INTENDED FOR INSTALLATION IN ACCORDANCE WITH THE NATIONAL ELECTRICAL CODE, LOCAL AND FEDERAL SPECIFICATIONS. DISCONNECT POWER AT ELECTRICAL PANEL BEFORE SERVICING.

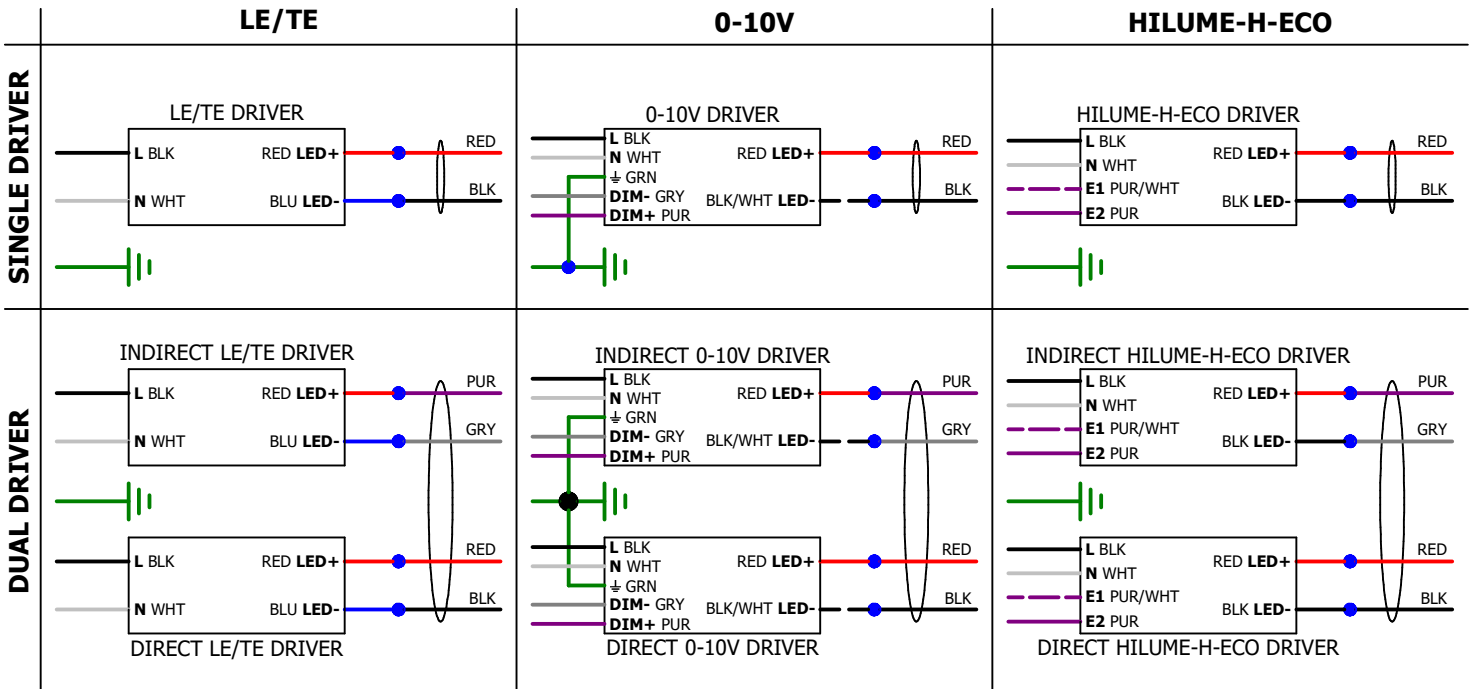
RETAIN THESE INSTRUCTIONS FOR MAINTENANCE REFERENCE.

MOUNTING OPTIONS

- A** BOTTOM OR SIDE #8 HOLES
- B** SIDE RIVET HOLES
- C** T-BAR WINGS (BEND)



WIRING (DUAL DRIVERS ARE 2-CIRCUIT READY. JOIN LEADS TO CREATE 1-CIRCUIT.)



Amerlux, 178 Bauer Drive, Oakland, N.J. 07436, T: 973-882-5010, F: 973-882-2604 www.amerlux.com