

Quick-Line

1.5" Pendant Direct



Features

Quick-Line 1.5" delivers your design scenario seamlessly, shipping in as little as 5 business days, everytime. Streamlined and flexible, these architectural LED pendants provide the freedom to create truly dynamic spaces in a fraction of the time. The **Quick-Line** family delivers on its promises by the power of disciplined design.

Product Overview

Type:	Direct
Power Level:	Low Power 4W/ft High Power 7W/ft
Max Lumen Output:	2,919 Lm; 105.4 Lm/W (7W profile)
Color Temp:	3000K, 3500K, 4000K
CRI:	83 typ.
Lens:	Performance Lens
Dimming:	0-10V, 1% dimming
Construction:	Aluminum Extrusion

PROJECT:

TYPE:

Fixture Summary *(see following pages for more information)*

Power Level

	Watts Per Foot	Delivered Lumens	Lumens Per Foot
Low	4	1,716	429
High	7	2,919	730

Lumen Output based on 4', 3500K-83 fixture.

Individual Run Sections: 4', 6', 8'

Please use a combination of 4', 6', 8' standard lengths to create your desired run lengths.

Electrical Data

		4'		6'		8'	
Wattage Per Foot	Volts	System Watts	Amps	System Watts	Amps	System Watts	Amps
LOW 4W	120V	16	0.13	24	0.20	31.6	0.26
	277V	18.5	0.07	25.7	0.09	32.8	0.12
HIGH 7W	120V	28	0.23	42	0.35	54.5	0.45
	277V	29.5	0.11	42.5	0.16	54	0.20

Electronic multi-volt (120V-277V), constant current LED driver



PROJECT:

TYPE:

Ordering Reference

STEP 1

- **Select Power Level & Color Temperature:**

Power Level: **Low Power** – 4W/ft; 429 Lm/ft

High Power – 7W/ft; 730 Lm/ft

Color Temp: **30** – 3000K-83 (CRI)

35 – 3500K-83 (CRI)

40 – 4000K-83 (CRI)

- **Select Length(s):** 4', 6', or 8'

All lengths are pre-wired and supplied with 1 suspension gripper, alignment pins, light block shield, and Catch & Latch. End Caps ordered separately.

- **Emergency Fixtures (EMB):** have an integrated emergency driver & battery.

4EMB & 8EMB can replace standard 4' or 8' lengths (1 for 1) anywhere along the run without additional power feeds.

Cap orange lead for normal operation. EM battery lights entire length.

Please Note: For the EMB, **orange** lead must be wired to an unswitched hot power feed. A test pilot light is located on top of fixture and is visible from below. See drawing on page 4

STEP 2

- **Select Appropriate Kits Needed to Complete Run** (see page 5 for complete kit details)

All Kits are packed individually in a labeled poly bag.

End Cap Kit: (needed for every run or individual section)

QLP1-EC: One Kit is required for every run. Consists of: 2 End Caps, cable gripper & instruction sheet. (Cable gripper is used with the first feed kit.)

Power Feed & Cable Kit:

QLK-FF110: Power Feed kit consist of 1 circuit (6 conductor) 10' power cord with female quick-connector, aircraft cable and 5" white canopy. Requires at least 1 for each run or individual fixture. Order **QLK-FF120** for 20' cord/cable.

Non-Feed Cable Kits:

QLK-SC10: One is required for every 4', 6' or 8' length. Consists of 10' aircraft cable, 5" white canopy, and hardware. Order **QLK-SC20** for 20' cable.

STEP 3 Optional (see page 5 for complete details)

Slotted J-Box Accessory:

QLP-SJB: For installation directly over GRID runners in ceiling system. T slotted J-Box works with both 9/16" and 15/16" GRID ceiling.

Alternate Side Power Feed & Cable Kit:

QLK-MF110: Alternate Side Power Feed kits consist of 1 circuit (6 conductor) 10' power cord with male quick-connector, aircraft cable and 5" white canopy. For use if run of fixtures requires second circuit to be fed from opposite end of run. Order **QLK-MF120** for 20' cord/cable.

⚠ **Warning:** Through wiring must be disconnected and capped to separate the 2 circuits before power is supplied.

Emergency Circuits:

Emergency Circuits are easily added to any multi-lengths run at the beginning or end of run. Replace a Support Cable (QLK-SC10/QLK-SC20) with QLK-MF110/QLK-MF120 (Alt. side power feed) to feed from the right end or a QLK-FF110/QLK-FF120 to feed from left end. See drawing on page 9.

⚠ **Warning:** Use supplied black plug to Dead End last length before adding second feed.

Additional Circuits:

Circuits can be added to any multi-length run for Zonal Lighting, or for remote sensor control.

⚠ **Warning:** Use dead end caps on Quick Connects to separate zones prior to turning power on to prevent injury.

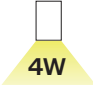

PROJECT:

TYPE:

All fixtures come standard with the following:

- Performance Lens • High Reflectance White Finish • 1 Circuit (6 Conductor) • 120/277V • 0-10V, 1% Dimming

STEP 1 Choose Fixture: Select Power Level, Color Temp & Length

Power Level	Color Temp-CRI	Length	Ordering Part #
Low Power (4 W/ft; 429 Lm/ft) 	30 (3000K-83)	4'	QLP1-001
		4' EMB	QLP1-005
		6'	QLP1-009
		8'	QLP1-013
	35 (3500K-83)	8' EMB	QLP1-017
		4'	QLP1-003
		4' EMB	QLP1-007
		6'	QLP1-011
	40 (4000K-83)	8'	QLP1-015
		8' EMB	QLP1-019
		4'	QLP1-033
		4' EMB	QLP1-035
High Power (7W/ft; 730 Lm/ft) 	30 (3000K-83)	6'	QLP1-002
		4' EMB	QLP1-006
		8'	QLP1-010
		8' EMB	QLP1-014
	35 (3500K-83)	8' EMB	QLP1-018
		4'	QLP1-004
		4' EMB	QLP1-008
		6'	QLP1-012
	40 (4000K-83)	8'	QLP1-016
		8' EMB	QLP1-020
		4'	QLP1-034
		4' EMB	QLP1-036
	6'	QLP1-038	
	8'	QLP1-040	
	8' EMB	QLP1-042	

STEP 2 Kits: Required for Assembly (see page 5 for drawings)

Kit	Description	Ordering Part #
End Cap Kit:		
End Cap	End Cap Kit for Direct & Direct/Indirect fixtures (1 per run)	QLP1-EC
Feed Kits:		
Power Feed & Cable Kit	10' power cable, 5" white canopy, 1 circuit (6 conductor) white drop cord 20' power cable, 5" white canopy, 1 circuit (6 conductor) white drop cord	QLK-FF110 QLK-FF120
Non-Feed Cable Kit:		
Support Cable	10' aircraft cable, 5" white canopy & hardware 20' aircraft cable, 5" white canopy & hardware	QLK-SC10 QLK-SC20

STEP 3 Accessories: Optional (see page 5 for drawings)

Accessory	Description	Ordering Part #
J-Box Accessory:		
Slotted J-Box	Slotted J-Box (needed for feed & non-feed kits over GRID runner)	QLP-SJB
Optional Feed Kit:		
Alternate Side Power & Cable Kit	10' power cable, 5" white canopy, 1 circuit (6 conductor) white drop cord 20' power cable, 5" white canopy, 1 circuit (6 conductor) white drop cord	QLK-MF110 QLK-MF120

For Emergency Circuits/Additional Circuits: Order either a Power Feed & Cable Kit (QLK-FF110/qlk-ff120) or an Alternate Side Power Feed & Cable Kit (QLK-MF110/QLK-MF120 QLK-MF110) to replace the Non-Feed Support Cable Kit (QLK-SC10/QLK-SC20) anywhere along the run. See page 9 for more detail.

Quick-Line

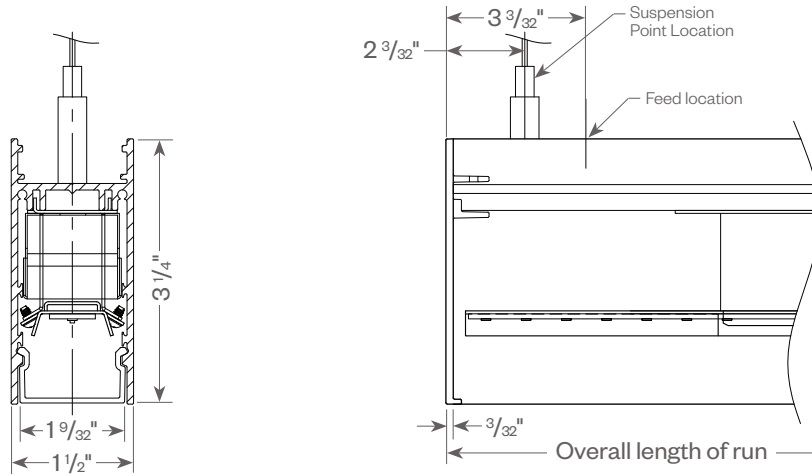
1.5" Pendant Direct



PROJECT:

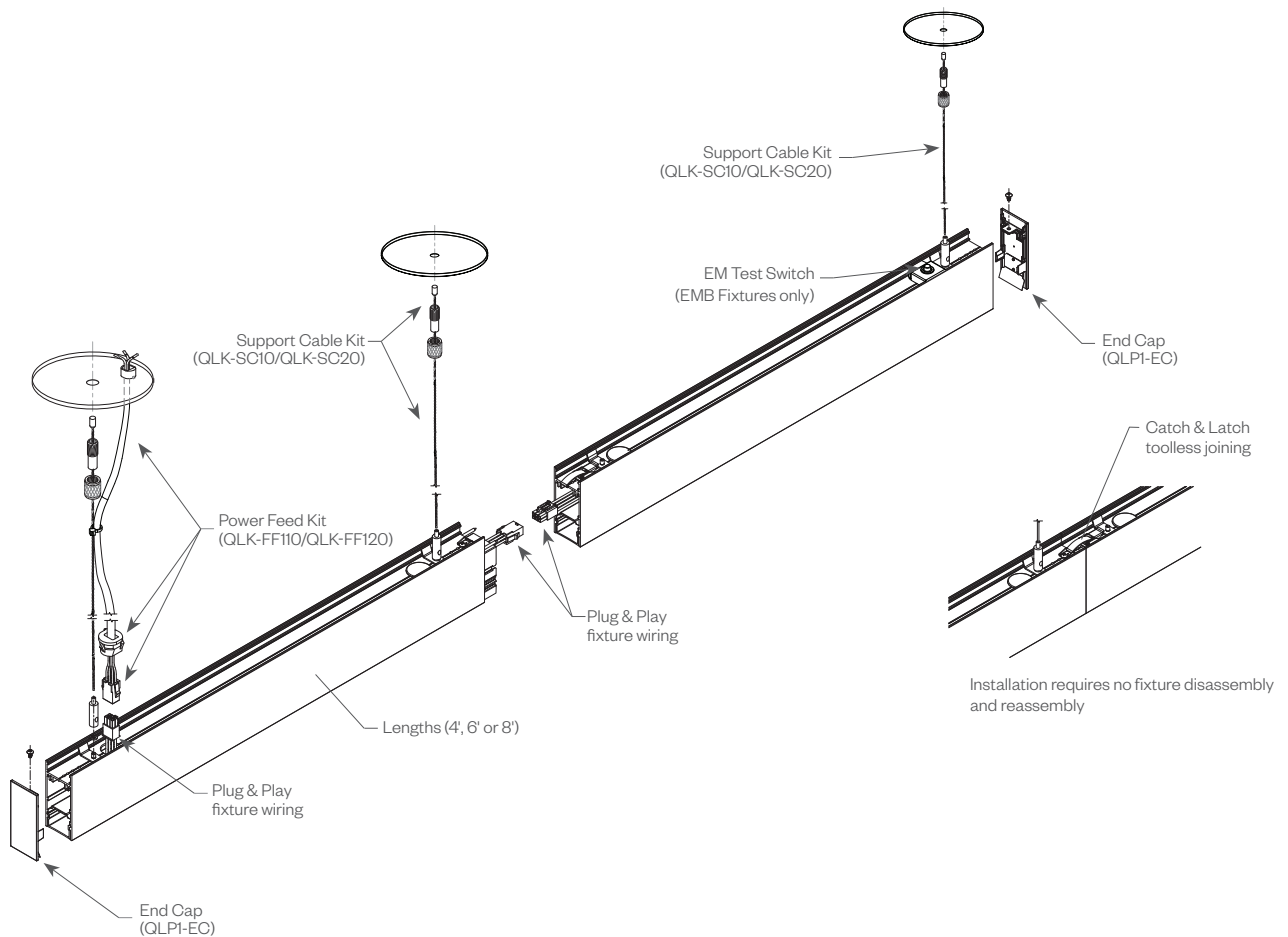
TYPE:

Quick-Line 1.5" Direct



QUICK CONNECT ALIGNMENT

Plug together Quick connects. Line up the two housings by using the alignment pins & splines. Secure them together by using the Catch & Latch system on the top of the extrusion. Finish run or individual section by securing end caps.



Quick-Line

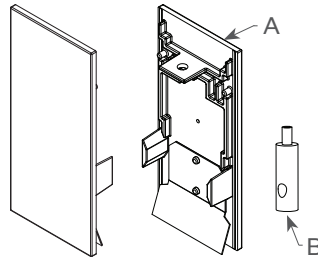
1.5" Pendant Direct



PROJECT:

TYPE:

Quick-Line Kits:

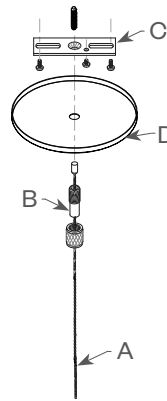


End Cap Kit (QLP1-EC)

Use: On all single and multiple runs. Field installed on the first and last fixture end of the run.

Consisting of:

- A - (2) End Caps with locking screws
- B - (1) Cable Gripper*
- (1) Instruction Sheet



Non-Feed Cable Kit (QLK-SC10)

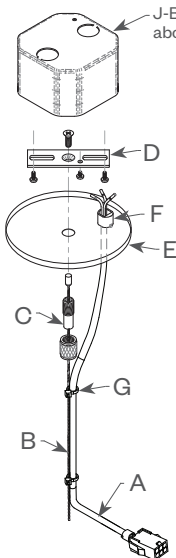
Use: Support Cable Kit, 10' long, non-feed. 1 used on every length.

Consisting of:

- A - (1) 10' cable
- B - (1) Cable Coupler (ferruled for j-box access)
- C - Cross bar and hardware
- D - (1) 5" White steel Canopy (single hole in center)
- (1) Instruction sheet

Order **QLK-SC20** for 20' cable.

*** Note:** One Gripper is factory installed on right side of length for use with QLK-SC10 QLK-SC20 support cable kit. 2nd Gripper is supplied with End Cap Kit and is to be used with beginning feed kit (QLK-FF110/QLK-FF120).



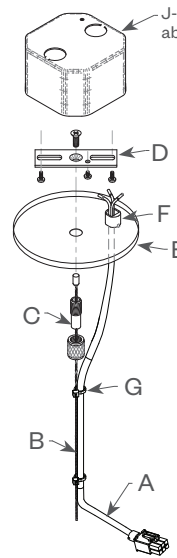
Power Feed & Cable Kit (QLK-FF110)

Use: For pendant, starting and typically only feed required. Power Feed plug and black dead end plug provided for safety and quick installation. Usually just 1 used on every run.

Consisting of:

- A - (1) 10' 6 conductor white drop cord, female quick connect plug with strain relief
- B - (1) 10' cable
- C - (1) Cable Coupler (ferruled for j-box access)
- D - Cross bar and hardware
- E - (1) 5" White steel Canopy
- F - (1) White strain-relief fitting
- G - (10) Wire ties
- (1) Instruction sheet

Order **QLK-FF120** for 20' cord/cable.



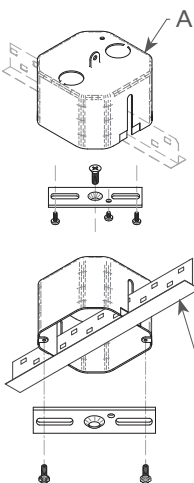
Alternate Side Power Feed & Cable Kit (QLK-MF110)

Use: For pendant when second feed is required or feeding run from alternate side. Alternate Side plug and black dead end plug provided for safety and quick installation.

Consisting of:

- A - (1) 10' 6 conductor white drop cord, male quick connect plug with strain relief
- B - (1) 10' cable
- C - (1) Cable Coupler (ferruled for j-box access)
- D - Cross bar and hardware
- E - (1) 5" White steel Canopy
- F - (1) White strain-relief fitting
- G - (10) Wire ties
- (1) Instruction sheet

Order **QLK-MF120** for 20' cord/cable.



Slotted J-Box Accessory (QLP-SJB)

Use: For any installation direct over T runners in ceiling grid system. T slotted J-Box works with both 9/16" and 15/16" GRID ceiling systems. Order (1) SJB for every suspension point. Other solutions available for non-feed cable hangers in grid ceilings.

Consisting of:

- A - (1) Slotted J-Box (note: all other J-Boxes are supplied by others).

Drop ceiling T-bar (by others) for drop ceiling applications.

Quick-Line

1.5" Pendant Direct



PROJECT:

TYPE:

FIXTURE DATA: (Complete photometric data (.ies format) available upon request)

MULTIPLYING FACTORS: (Multiplying Factor is based on 3500K-83 120V IES file on website)

CCT:	3000K-83	3500K-83	4000K-83
Factor:	0.93	1.0	1.04

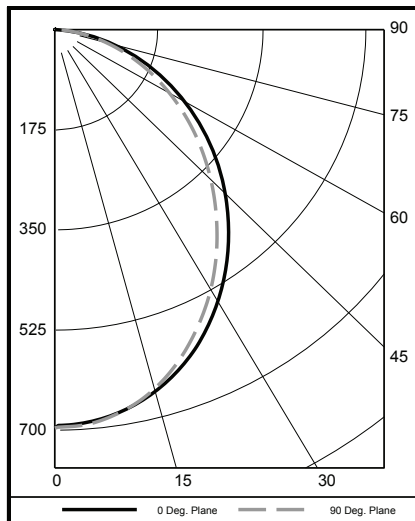
QLP 1.5D PERFORMANCE LENS 4W 3500K 4FT

Total Watts: 16 (LOW POWER)

Total Lumens: 1,716V

Source: 96 White LED's

LTL# 12249878.01



ZONAL LUMEN SUMMARY

Zone	Lumens	%Fixt
0-40	829	48.3
0-60	1393	81.2
0-90	1717	100.0
90-180	0	0

Efficacy = 107.9 Lumens / Watt

COEFFICIENTS OF UTILIZATION

Effective Floor Cavity Reflectance 20%

RC	80			
	70	50	30	10
RW				
RCR				
0	1996	1996	1996	1996
1	1827	1756	1691	1633
2	1665	1540	1436	1348
3	1521	1361	1234	1133
4	1396	1212	1075	968
5	1287	1088	946	840
6	1192	984	842	738
7	1107	896	755	656
8	1033	820	683	588
9	968	755	622	532
10	909	699	570	484

Values are expressed as Lumens delivered to the task surface.

CONE OF LIGHT TABULATION

Mounting Height	Footcandles @ Nadir	Diameter (feet)
4'	43.5	4.66
6'	19.3	6.99
8'	10.9	9.32
10'	6.96	11.7
12'	4.83	14.0
14'	3.55	16.3
16'	2.72	18.6

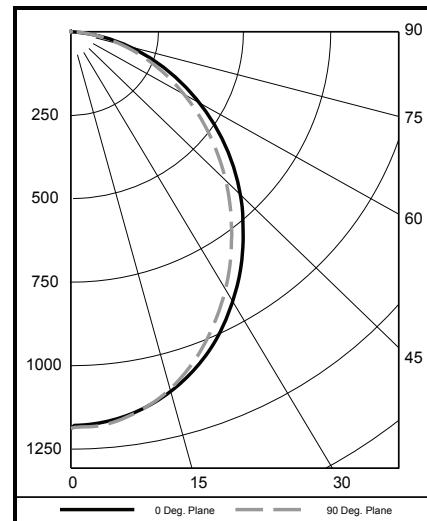
QLP 1.5D PERFORMANCE LENS 7W 3500K 4FT

Total Watts: 28 (HIGH POWER)

Total Lumens: 2,919

Source: 96 White LED's

LTL# 12249878.02



ZONAL LUMEN SUMMARY

Zone	Lumens	%Fixt
0-40	1412	48.4
0-60	2373	81.3
0-90	2919	100.0
90-180	0	0

Efficacy = 105.4 Lumens / Watt

COEFFICIENTS OF UTILIZATION

Effective Floor Cavity Reflectance 20%

RC	80			
	70	50	30	10
RW				
RCR				
0	3394	3394	3394	3394
1	3109	2988	2879	2780
2	2833	2622	2445	2295
3	2589	2316	2102	1929
4	2376	2063	1830	1650
5	2191	1852	1612	1432
6	2028	1675	1434	1259
7	1885	1525	1287	1118
8	1759	1397	1164	1003
9	1647	1286	1060	906
10	1547	1190	972	825

Values are expressed as Lumens delivered to the task surface.

CONE OF LIGHT TABULATION

Mounting Height	Footcandles @ Nadir	Diameter (feet)
4'	74.2	4.65
6'	33.0	6.98
8'	18.6	9.31
10'	11.9	11.6
12'	8.25	14.0
14'	6.06	16.3
16'	4.64	18.6

Quick-Line

1.5" Pendant Direct



PROJECT:

TYPE:

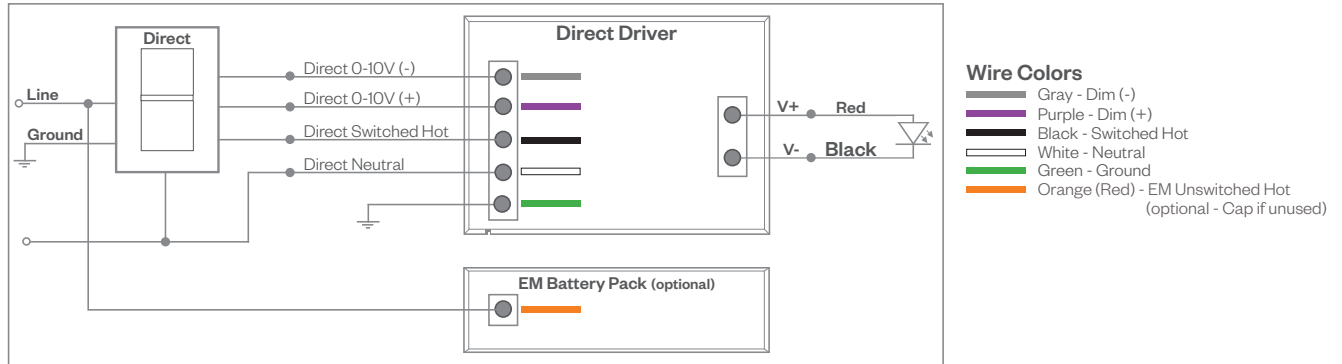
DIMMING COMPATIBILITY:

Amerlux® Quick-Line fixtures are compatible with 0-10V Dimming. Please see below for general compatibilities and wiring diagrams. Amerlux recommends testing your unique dimming configuration as the exact full configuration (Dimmer, Fixture Quantity, Voltage, etc) may affect dimming performance.

0-10V - DIMMING (Standard)

Integrates into a variety of building management and daylighting controls

0-10V Wiring Diagram



Notes:

- 120V or 277V*
- Dims down to 1% light output
- Requires interface to turn off power to driver
- Consult Dimming manufacturer for installation instructions - **Do Not Share Neutrals**

Compatible Dimmers†:

Wall Box

Lutron:	Wattstopper:	Leviton:
Diva - DVSTV	ADF-120277	Renoir II
Maestro - MS-Z101		
Nova-T - NTSTV-DV		

Center System

Lutron Grafikx Eye with GRX-TV1 Interface

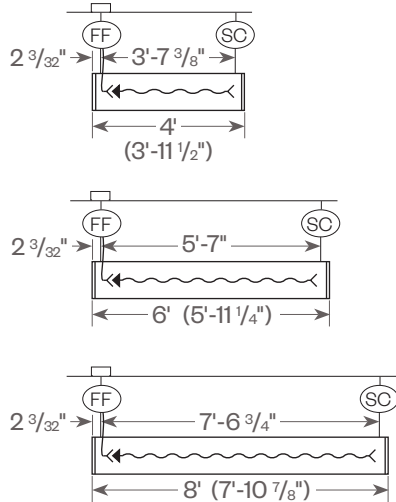
Notes:

- * Driver is 277V dimmable with appropriate dimmer (by others). All provided wiring diagrams show 120V wiring colors and method. Please refer to 277V dimmer installation instructions for 277V wiring diagrams.
- † The absence of a dimmer from the lists above does not imply incompatibility. Please consult factory for compatibility inquiries.

PROJECT:

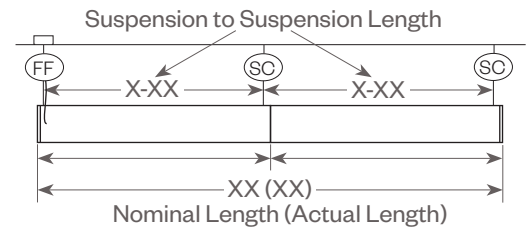
TYPE:

SINGLE LENGTHS / RUNS



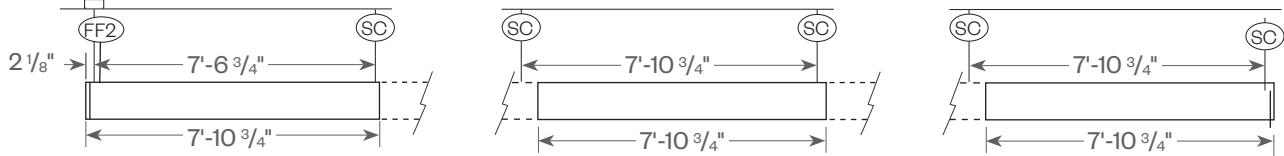
Key:

- ⊙ (SC) = Support Cable (QLK-SC10), Non-Feed, 10'
- ⊙ (FF) = Power Feed (QLK-FF110) Cable Kit, 10', 1 cir.
- ⊙ (MF) = Alt. Power Feed (QLK-MF110) Cable Kit, 10', 1 cir.
- ⊥ = End Cap (QLP1-EC) Kit
- ← = Male Quick Connect Plug (for wire harness)
- ↘ = Female Quick Connect Plug (for wire harness)
- = Feed J-Box location

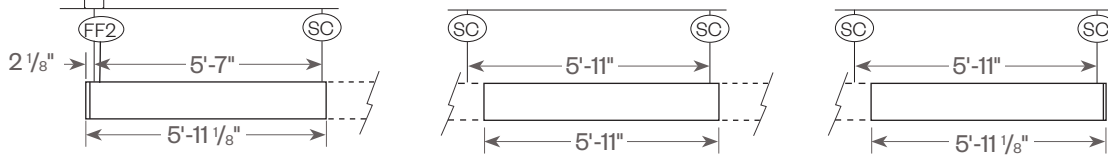


MULTI-LENGTH RUNS

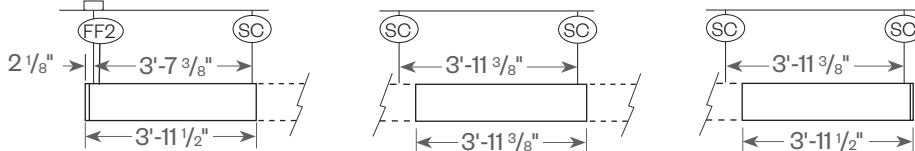
8' Lengths



6' Lengths



4' Lengths



Note: Customer is responsible for all measurements, feed locations and field conditions.

DIRECT VOLTAGE DROPS

Recommended 2nd Power Feed:

Low Power Level

- 120 Volts 4W/ft - 150' second drop
- 277 Volts 4W/ft - 345' second drop

High Power Level

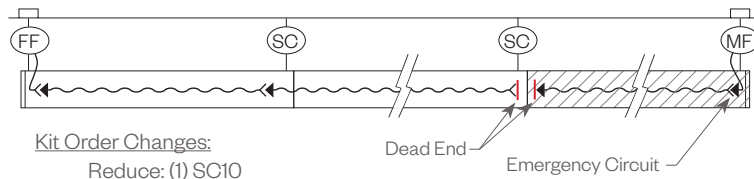
- 120 Volts 7W/ft - 85' second drop
- 277 Volts 7W/ft - 195' second drop

PROJECT:

TYPE:

OPTIONAL EMERGENCY CIRCUITING:

EMERGENCY CIRCUIT AT END

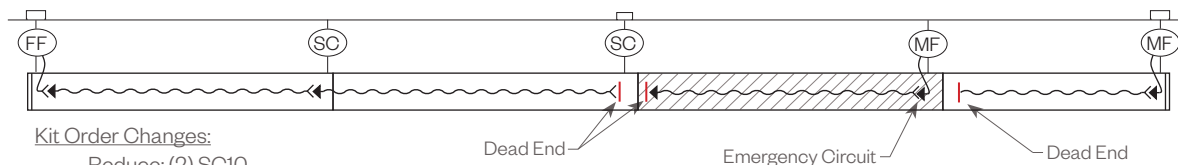


Kit Order Changes:
 Reduce: (1) SC10
 Add: (1) MF110 (at end of run)

Key:

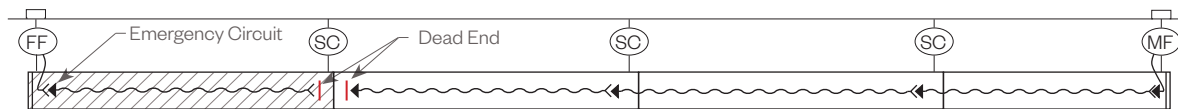
- ⊙(SC) = Support Cable (QLK-SC10), Non-Feed, 10'
- ⊙(FF) = Female Feed (QLK-FF110) Cable Kit, 10', 1 cir.
- ⊙(MF) = Male Feed (QLK-MF110) Cable Kit, 10', 1 cir.
- ⊥ = End Cap (QLP1-EC) Kit
- ◀ = Male Quick Connect Plug (for wire harness)
- ↔ = Female Quick Connect Plug (for wire harness)
- | = Dead end
- = Feed J-Box location

EMERGENCY CIRCUIT IN MIDDLE



Kit Order Changes:
 Reduce: (2) SC10
 Add: (1) MF110 (at end of run) & (1) FF110 (in middle or run)

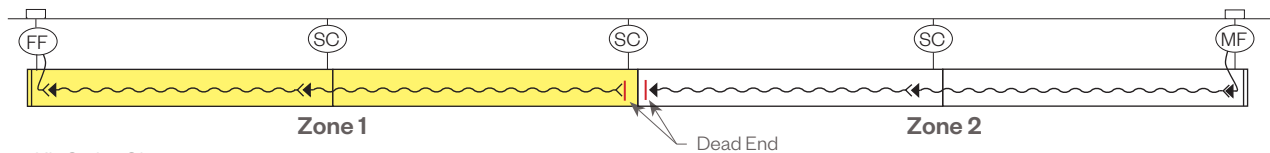
EMERGENCY CIRCUIT AT BEGINNING



Kit Order Changes:
 Reduce: (1) SC10
 Add: (1) MF110 (at end of run)

ZONAL LIGHTING

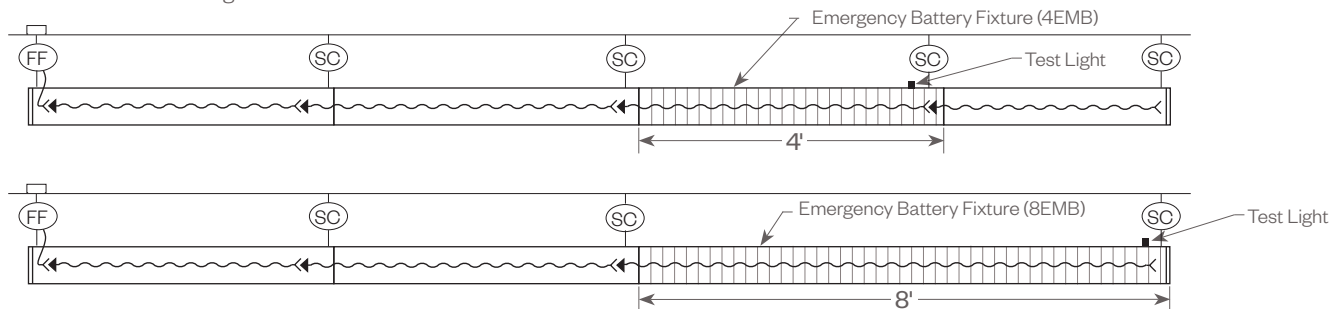
Note: Additional circuits can be added as needed. Use dead end plugs (black) to safely end circuits.



Kit Order Changes:
 Reduce: (1) SC10
 Add: (1) MF110 (at end of run)

EMERGENCY (ED-BATX) DRIVER WITH BATTERY

Note: No additional feed needed. Can be installed anywhere along run. Substitute 4' or 8' with 4EMB or 8EMB
 Must wire orange conductor to unswitched Hot.



Quick-Line

1.5" Pendant Direct



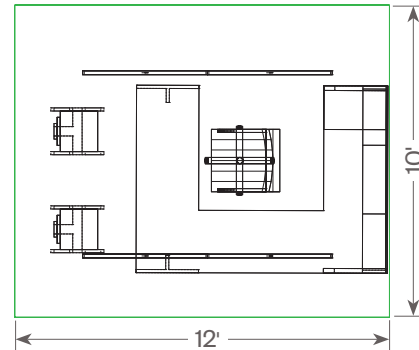
PROJECT:

TYPE:

APPLICATION DATA:

Private Office:

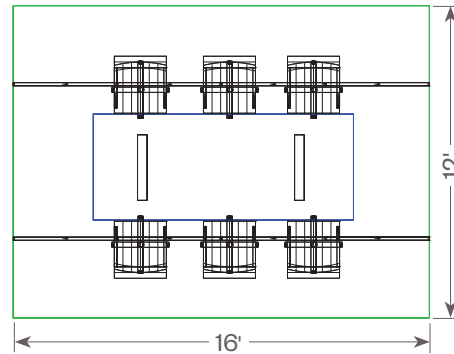
Room Size: 12' x 10' (120 ft²)
 Ceiling Height: 8' 6"
 Fixture Mounting: 7' mh (top of fixture)
 LLF: 0.78



Model	Performance Profile (3500K)	8' Runs	Run Total	Total Wattage	Avg Illumination (fc) on work plane	Ceiling Uniformity (max/min ratio)	Lighting Power Density (W/ft ²)
QLP1.5 Direct	LOW (429 Lm/ft)	2 Runs 6' O.C.	32	64	42	2.33	0.53
QLP1.5 Direct	HIGH (730 Lm/ft)	2 Runs 6' O.C.	56	111	72	2.32	0.93

Small Conference Room:

Room Size: 12' x 16' (192 ft²)
 Ceiling Height: 8' 6"
 Fixture Mounting: 7' mh (top of fixture)
 LLF: 0.78



Model	Performance Profile (3500K)	12' Runs	Run Total	Total Wattage	Avg Illumination (fc) on work plane	Ceiling Uniformity (max/min ratio)	Lighting Power Density (W/ft ²)
QLP1.5 Direct	LOW (429 Lm/ft)	2 Runs 6' O.C.	64	127	53	2.25	0.67
QLP1.5 Direct	HIGH (730 Lm/ft)	2 Runs 6' O.C.	111	222	90	2.24	1.16

Quick-Line

1.5" Pendant Direct



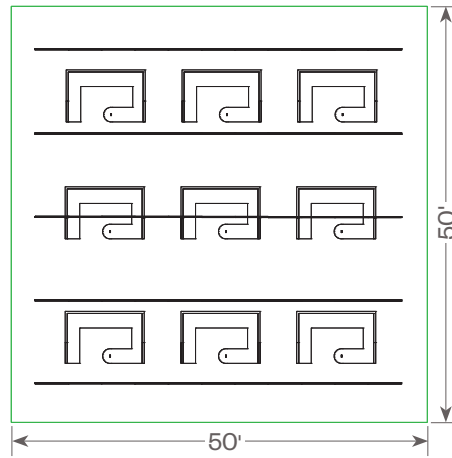
PROJECT:

TYPE:

APPLICATION DATA:

Large Open Office:

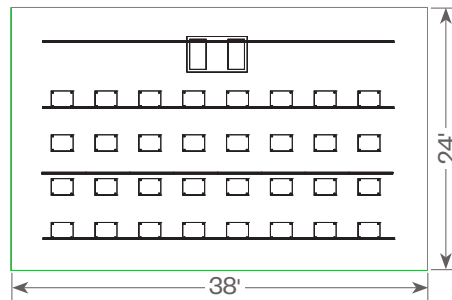
Room Size: 50' x 50' (2,500 ft²)
 Ceiling Height: 9'
 Fixture Mounting: 7' 6" mh (top of fixture)
 LLF: 0.78



Model	Performance Profile (3500K)	44' Runs	Run Total	Total Wattage	Avg Illumination (fc) on work plane	Ceiling Uniformity (max/min ratio)	Lighting Power Density (W/ft ²)
QLP1.5 Direct	LOW (429 Lm/ft)	5 Runs 10' O.C.	175	875	26	3.71	0.35
QLP1.5 Direct	HIGH (730 Lm/ft)	5 Runs 10' O.C.	305	1,524	43	3.75	0.61
QLP1.5 Direct	LOW (429 Lm/ft)	6 Runs 8' O.C.	175	1,050	31	3.84	0.42
QLP1.5 Direct	HIGH (730 Lm/ft)	6 Runs 8' O.C.	305	1,829	52	3.82	0.73

Classroom:

Room Size: 38' x 24' (912 ft²)
 Ceiling Height: 12'
 Fixture Mounting: 10' 6" mh (top of fixture)
 LLF: 0.78



Model	Performance Profile (3500K)	32' Runs	Run Total	Total Wattage	Avg Illumination (fc) on work plane	Ceiling Uniformity (max/min ratio)	Lighting Power Density (W/ft ²)
QLP1.5 Direct	LOW (429 Lm/ft)	4 Runs 6' O.C.	127	509	53	2.03	0.56
QLP1.5 Direct	HIGH (729 Lm/ft)	4 Runs 6' O.C.	222	887	90	2.04	0.98