



WARNING: RISK OF FIRE AND ELECTRICAL SHOCK. FIXTURE MUST BE INSTALLED BY A QUALIFIED ELECTRICIAN ONLY. FIXTURE IS INTENDED FOR INSTALLATION IN ACCORDANCE WITH THE NATIONAL ELECTRICAL CODE, LOCAL AND FEDERAL SPECIFICATIONS. RETAIN THESE INSTRUCTIONS FOR MAINTENANCE REFERENCE.

FOR RUNS WIRED FOR EM: UNIT HAS MORE THAN ONE POWER SUPPLY CONNECTION POINT. TO REDUCE THE RISK OF ELECTRIC SHOCK, DISCONNECT BOTH THE BRANCH CIRCUIT-BREAKERS OR FUSES AND EMERGENCY/BACKUP POWER SUPPLY BEFORE SERVICING. **RETAIN THESE INSTRUCTIONS FOR MAINTENANCE REFERENCE.**

1. DISCONNECT POWER AT ELECTRICAL PANEL BEFORE SERVICING.

Pre-installation Note:

Products Required: - Fixture

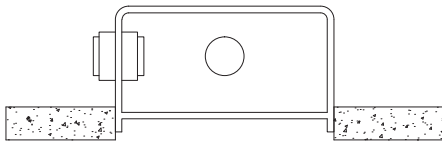
- Female Feed Kit (QLK-FF110)

Optional: - Male Feed Kit (QLK-MF110), for Runs with more than (1) Feed

- End Cap Kit (QLP1-EC)

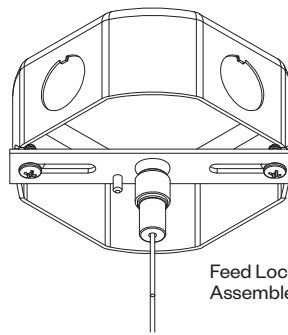
- Non-Feed Kit (QLK-SC10)

2. Prepare J-Boxes at Ceiling:

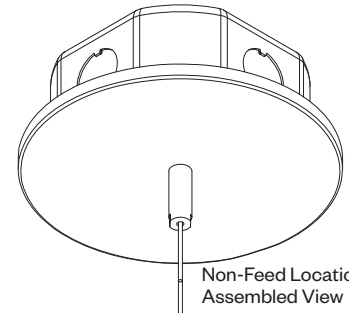


Install junction boxes - The junction boxes should be placed as shown to make sure that the canopy cover sits flush with the ceiling when install is finished.

Refer to Spec Sheet for proper location of mounting points/ locations for junction boxes.



Feed Location
Assembled View



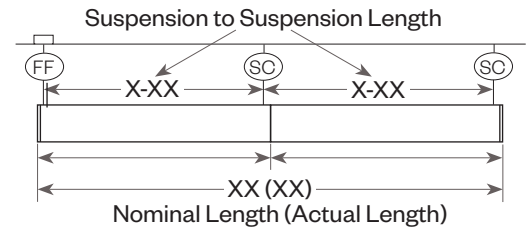
Non-Feed Location
Assembled View

For detailed instructions, see installation sheet packaged in Feed/Non-Feed Kits

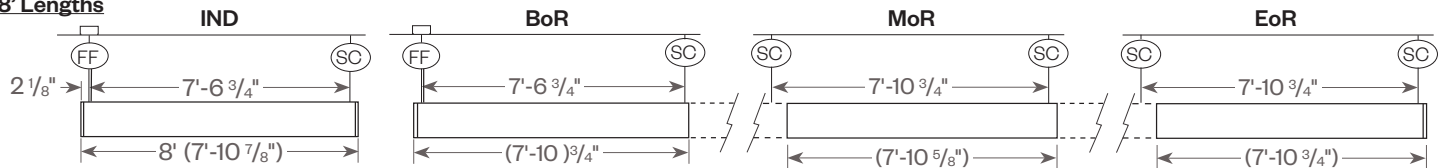
J-Box/Suspension Point Reference:

Key:

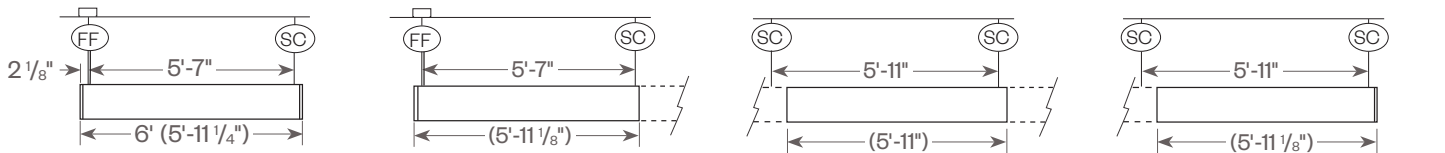
- ⊙ SC = Support Cable (QLK-SC10), Non-Feed, 10'
- ⊙ FF = Female Feed (QLK-FF110) Cable Kit, 1 circuit, 10'
- ⌋ = End Cap (QLP1-EC) Kit
- = Feed J-Box location



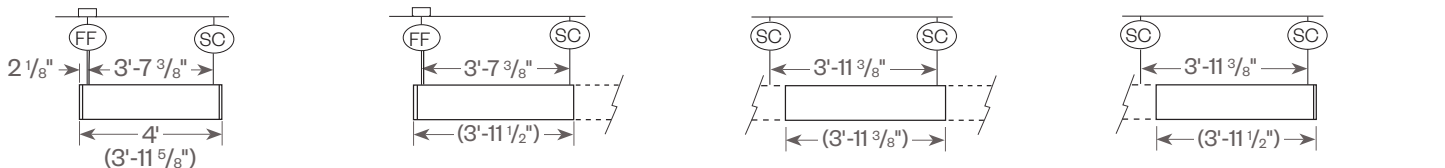
8' Lengths



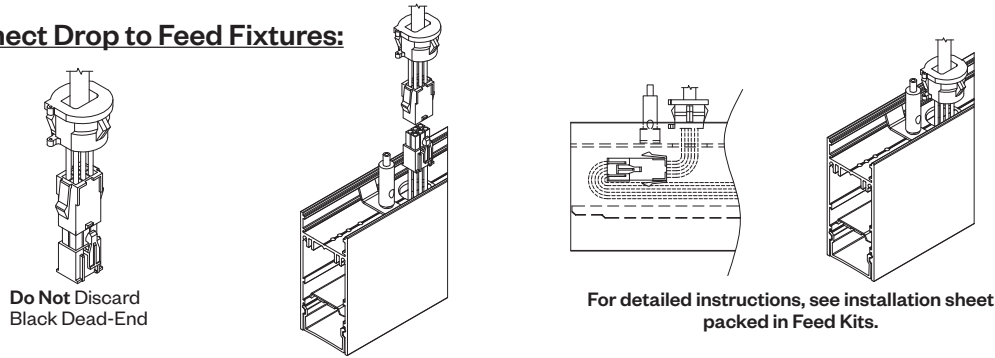
6' Lengths



4' Lengths

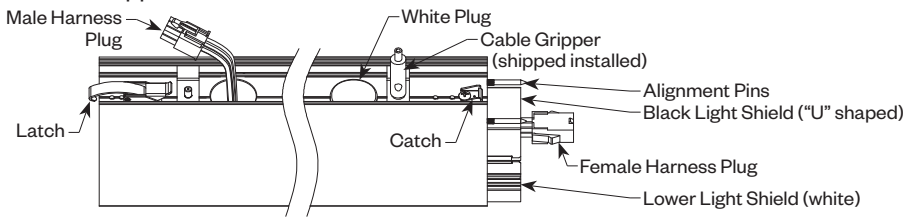


3. Connect Drop to Feed Fixtures:



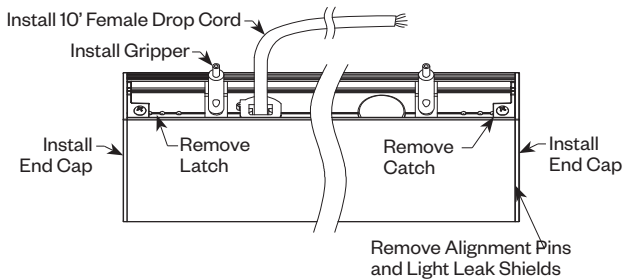
4. Prepare Fixtures:

Fixture as shipped

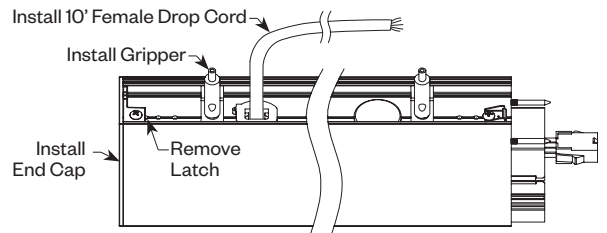


IND: Individual
BoR: Beginning of Run
MoR: Middle of Run
EoR: End of Run

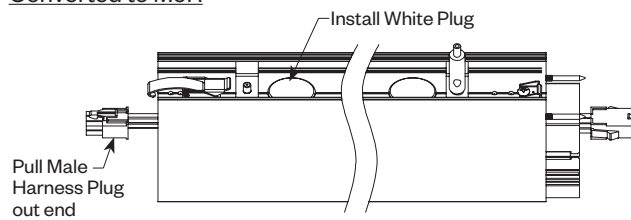
Converted to IND



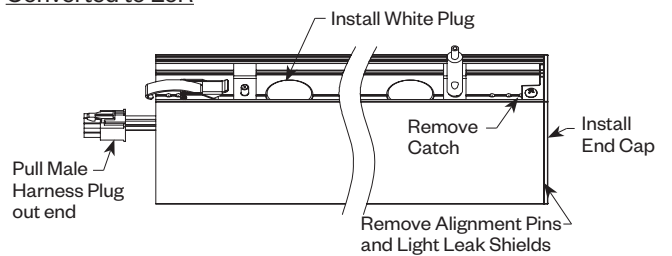
Converted to BoR



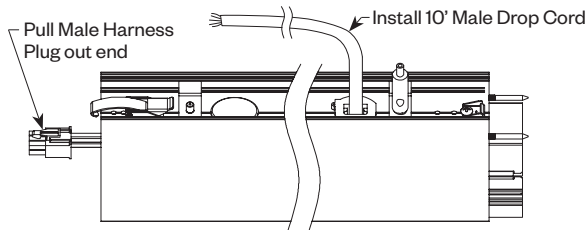
Converted to MoR



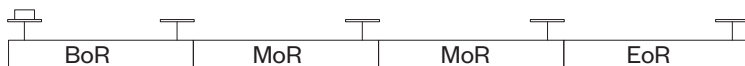
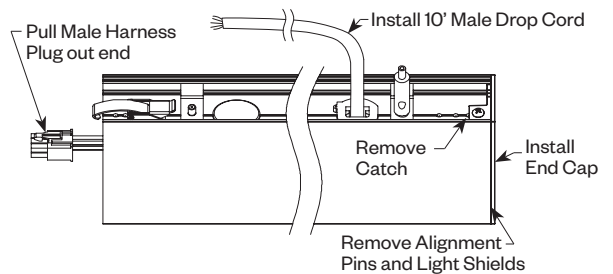
Converted to EoR



Converted to MoR (with Feed)



Converted to EoR (with Feed)



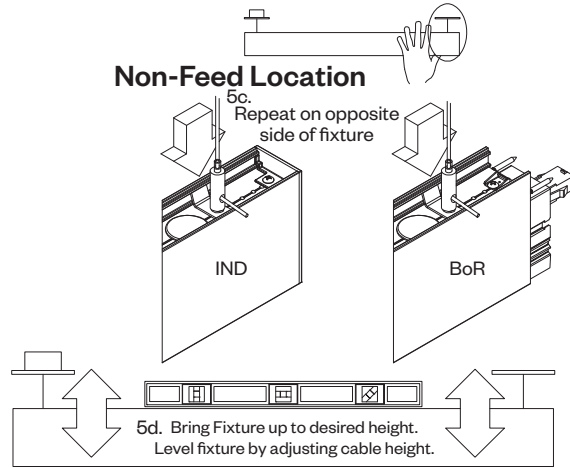
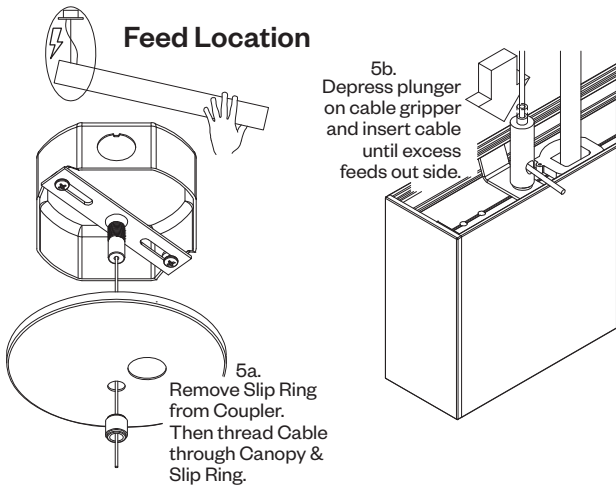
Typical layout of a continuous run

For detailed instructions of fixture conversion, see installation sheet packed in End Cap/Feed/Non-Feed Kits

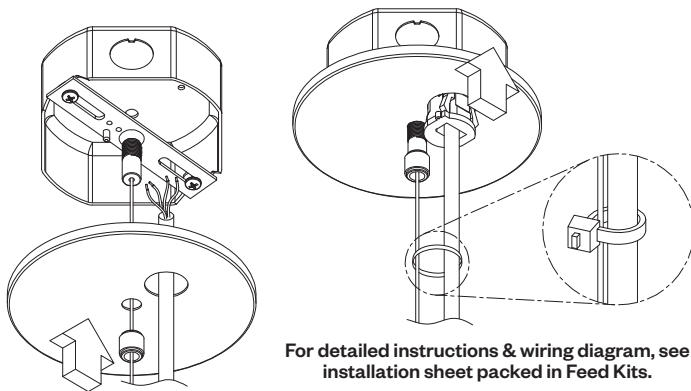
5. Hang Fixture (IND or BoR):

Manufacturers Suggestion:

All continuous runs be hung one at a time, in order, starting with the BoR, then each fixture sequentially, finishing with the EoR.



6. Connect Drop to Power:



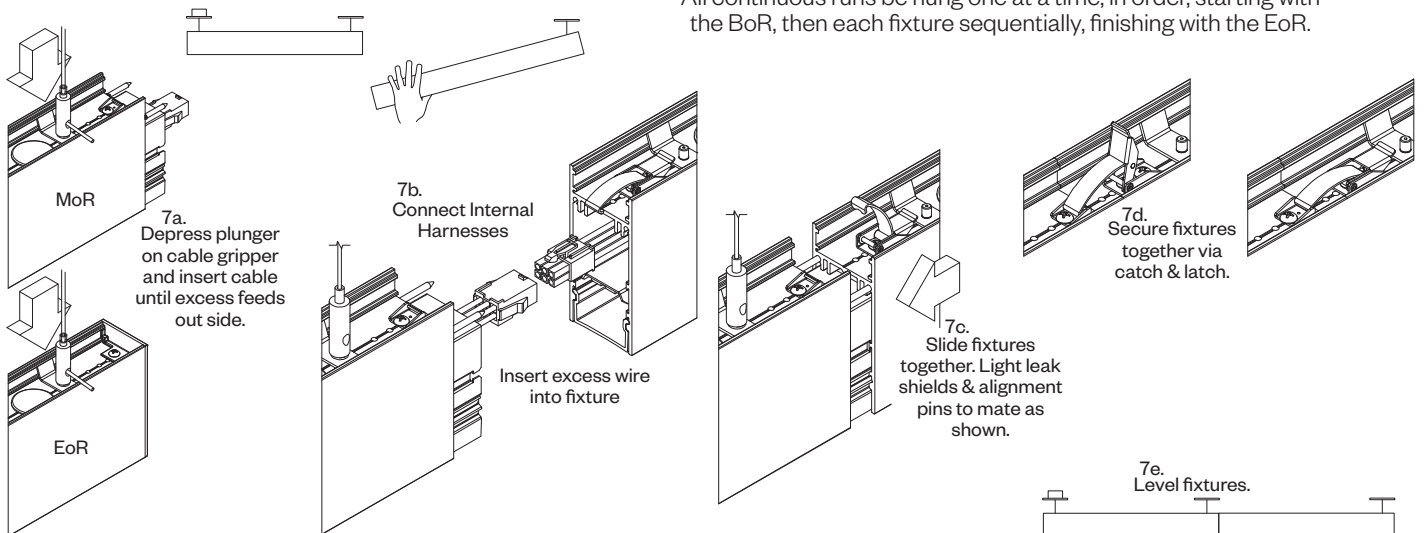
Black - Switched Hot	Gray - Dim (-)
White - Neutral	Purple - Dim (+)
Green - Ground	Orange (Red) - EMB Unswitched Hot
	Optional - Cap if unused

Note: If an 4' EMB or 8' EMB is in Run the Orange (Red) conductor must be wired to an unswitched Hot.

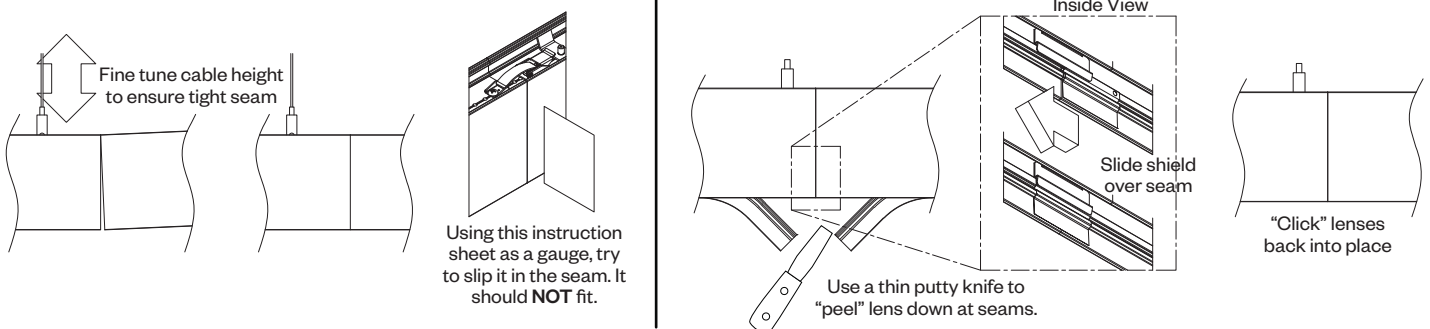
7. Hang & Join Fixtures (MoR or EoR):

Manufacturers Suggestion:

All continuous runs be hung one at a time, in order, starting with the BoR, then each fixture sequentially, finishing with the EoR.



8. Seam Finishing:

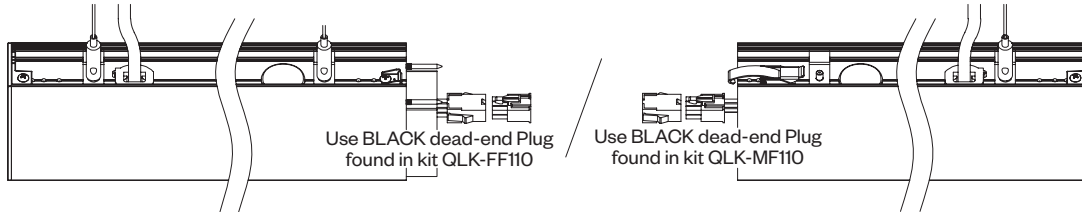


Repeat Hang/Join/Seam Finishing steps until Run is completed.

9. Feeding Run in (2) or more places (if applicable):

Dead-End power harnesses at appropriate fixture breaks using provided Black Plugs/Caps

DO NOT FEED A CONTINUOUS RUN IN (2) OR MORE LOCATIONS. CONTINUOUS RUN POWER MUST BE BROKEN VIA DEAD-END PLUGS/CAPS.

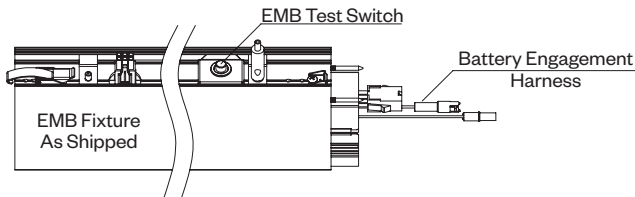
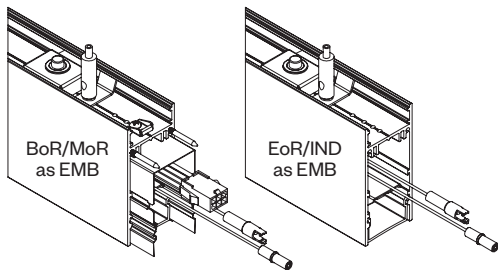


For detailed instructions, see installation sheets packed

Setup for Emergency Battery (EMB) Fixtures:

Only applies to models:
QLP1.5D.PL_3_HW.4:0-10.EMB
QLP1.5D.PL_3_HW.8:0-10.EMB

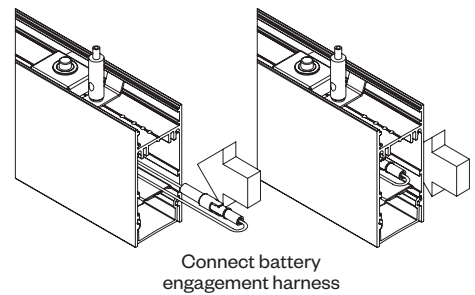
Convert EMB Fixture to desired fixture type.
DO NOT Install End Cap



Hang Fixture
see pg 2 for details

If fixture is MoR or EoR:
Connect Power to previous fixture
Join to previous fixture

Turn on "unswitched" power to charge EM Battery
(Orange lead from power drop **MUST** be connected to unswitched hot)



Once battery engagement harness is connected, if power is cut to unswitched line, fixture **WILL light up until battery is drained.**

For EM Battery Pack safety information and instructions, see literature for Bodine BSL10LST

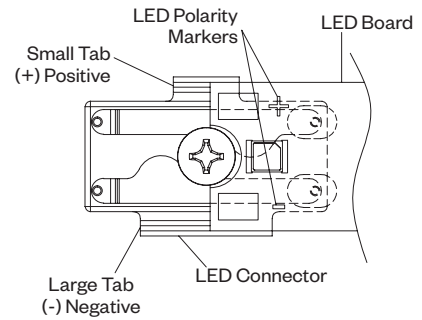
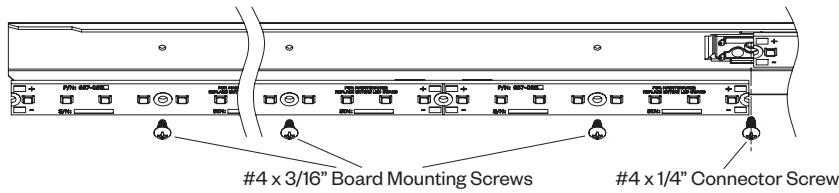
Continue Hanging/Joining fixtures to complete Run if necessary, otherwise install End Cap to finish fixture

Maintenance:

- **Make sure to turn off all power to fixture before maintenance**
- **Prior to ANY work, touch material on fixture to discharge any buildup of static electricity**
- **To access internal components, first remove lens**

LED Replacement:

Remove Connector #4 Screw
 Remove Board Mounting #4 Screws (6 per board)
 Remove Board
 Insert new board (making sure to keep correct polarity) and
 secure with mounting screws*

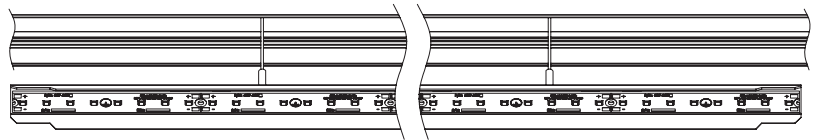
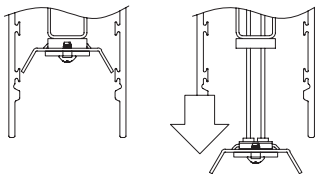


*When reinstalling LED board, make sure to use ALL board mounting screws to ensure proper thermal conductivity

Driver Replacement:

Remove LED Tray:

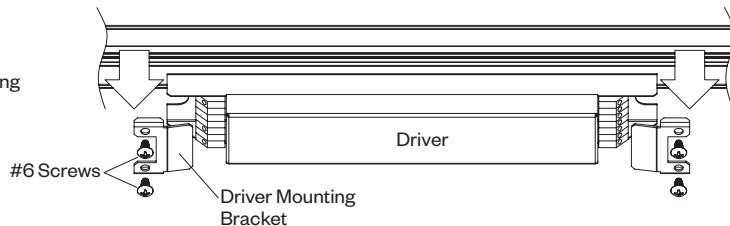
Tray is held in by magnets, to release tray just pull down



Tray is tethered to fixture, so when removed just allow tray to hang

Remove Driver:

Remove Wire leads from Driver ports.
(MAKE SURE POWER IS OFF!!!)
 Remove (2) brackets holding down driver by removing
 (2) #6 screws per bracket.
 Remove Driver.



To install driver, follow steps in reverse.

When Maintenance is Complete:

- **Check all wiring connections to make sure they are secure**
- **Replace lens**
- **Restore power**