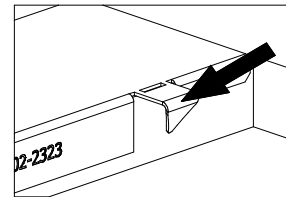
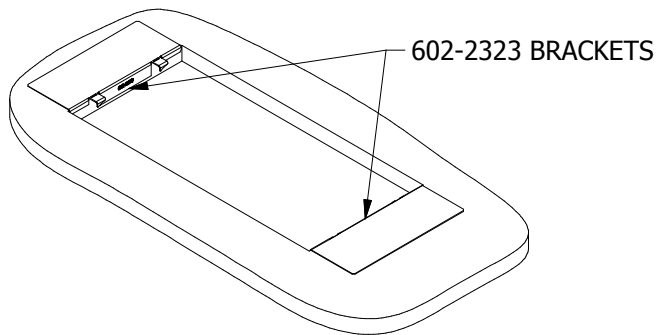


**WARNING - RISK OF FIRE AND ELECTRICAL SHOCK. FIXTURE MUST BE INSTALLED BY A QUALIFIED ELECTRICIAN ONLY. FIXTURE IS INTENDED FOR INSTALLATION IN ACCORDANCE WITH THE NATIONAL ELECTRICAL CODE, LOCAL AND FEDERAL SPECIFICATIONS. DISCONNECT POWER AT ELECTRICAL PANEL BEFORE SERVICING.**

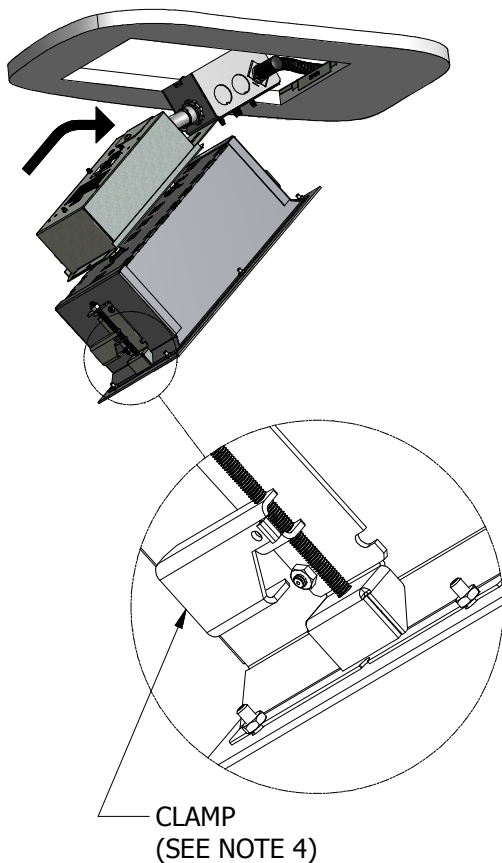
**RETAIN THESE INSTRUCTIONS FOR MAINTENANCE REFERENCE.**

**A.**



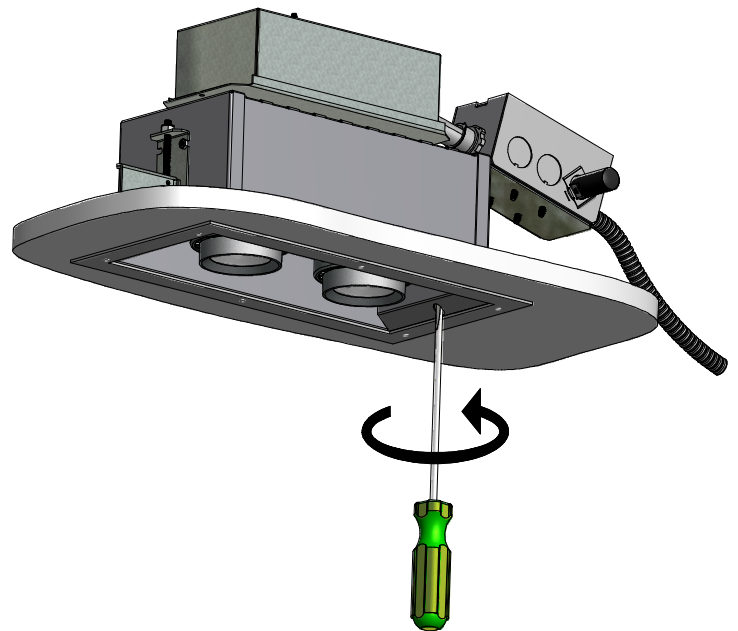
1. PLACE 602-2323 BRACKETS ON TOP OF THE CEILING AT THE ENDS OF THE CUTOUT.
2. SECURE BRACKETS TO CEILING BY BENDING TABS INTO CEILING BY HAND, HAMMER, SCREWDRIVER, ETC.

**B.**



3. MAKE ELECTRICAL CONNECTION IN TO J-BOX.
4. INSTALL FIXTURE IN CEILING OPENING WITH CLAMPS PARALLEL WITH FIXTURE WALLS (AS SHOWN).

**C.**



5. USE SCREWDRIVER TO TIGHTEN SCREWS. CLAMP WILL ROTATE IN TO PROPER POSITION TO KEEP FIXTURE IN PLACE WHEN TIGHTENING SCREWS.  
**CAUTION: DO NOT OVERTIGHTEN TO REDUCE THE RISK OF DAMAGE TO CEILING.**