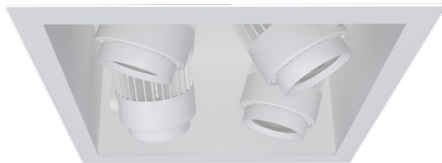


Hornet[®] HP

Recessed 4-Light Square Multiple



Features

Hornet High Power (HP) Multiples perform beautifully, punching through higher ambient light with strong output making them perfect for retail applications. For a clean ceiling aesthetic or when track is not an option, Hornet HP Multiples are ideal for delivering great performance, energy efficiency, and maximum control over where and how you want to place light.

Product Overview

Type:	Recessed Multiple, Accent & Display
Wattage:	11, 16
Lumen Output:	1,205 max; Lm/W (spot optic)
CBCP:	10,749 max (spot optic)
Color Temp:	2200K, 2700K, 3000K, 3500K, 4000K, CRISP
CRI:	83 typ. (2700K, 3000K, 3500K, 4000K) 90+ typ. (2200K, 2700K, 3000K, 3500K, 4000K) CrispWhite (16W max) & 3K Class A available
Dimming:	TRIAC & ELV (120/277VAC) - 5% Dim Lutron Hi-lume [®] H Series/EcoSystem - 1% dim with soft on, fade to black, 120/277VAC 0-10V (120/277VAC) - 1% Dim DALI (120/277VAC) - 1% Dim

PROJECT:

TYPE:

Fixture Summary *(see following pages for more information)*

Fixture Type

# of Heads	New Construction	Remodeler	Trim	Trimless
4SQ	Yes	No	Yes	No

See separate spec sheet for Semi-Recessed version.

Performance Chart

Watts	Delivered Lumens	LPW	CBCP	Color Temp
11	972	88	8,673	3000K-83
16	1,205	75	10,749	3000K-83

Data is based on 3000K-80, 120V IES files available on website

Data is per head and based on Spot optic

Electrical Data

	4 x 11W		4 x 16W	
	System Watts	Amps	System Watts	Amps
120V	44	0.37	64	0.53
277V	44	0.16	64	0.23

Electronic constant current LED driver



Hornet® HP

Recessed 4-Light Square Multiple



PROJECT:

TYPE:

Frame Ordering Information

HORNET-HP-R/SR-4SQ-NC-FRAME				
1	2	3	4	5

- | | |
|---|---|
| <p>1 <u>Model</u>
HORNET-HP-R/SR-4SQ-NC-FRAME (new construction)</p> <p>2 <u>Style</u>
T - trimmed</p> <p>3 <u>Voltage</u>
120
277</p> | <p>4 <u>Driver</u> (for non-dimming select LE/TE option)
LE/TE - TRIAC/ELV dimming, 5% dim (standard)
HILUME-H-ECO - Lutron Hi-lume® H Series, EcoSystem, 1% dim with soft on, fade to black
O-10V - 0-10V dimming; 1% dim
DALI - EldoLED; 1% dim</p> <p>5 <u>Options/Accessories</u>
EM - emergency battery pack, powers only 1 head of the the total fixture</p> |
|---|---|

Trim Ordering Information

HORNET-HP-R-4SQ-NC-TRIM									120-277	
1	2	3	4	5	6	7	8	9		

- | | | | | | | | | | | | | | | | | | | | | | | | | | | | | | | | | | | | | | | | | | | | | | | | | | | | | | | | | | | | |
|--|------------------------|---------------------------|------------|------------------------------|--|-----------|-----------|-----------|-----------|------------|-----------|-----------|-----------|-----------|--------------------|------------|------------|------------|------------|--------------------|-----------|-----------|-----------|-----------|-------------|-----------|-----------|-----------|-----------|------------------|------------|------------|------------|------------|-----------------------|-----------|-----------|-----------|-----------|------------------------------|---|----------------|-----------------|--|----------------------|------------------------|---------------------------|----------------------|------------------------|--------------------------|----------------------|------------------------|--|----------------------|------------------------|--|--|------------------------|--|
| <p>1 <u>Model</u>
HORNET-HP-R-4SQ-NC-TRIM (new construction)</p> <p>2 <u>Style</u>
T - trimmed</p> <p>3 <u>Wattage</u>
11
16</p> <p>4 <u>Finish</u> (for housing, head & trim)
WT - white texture
BT - black texture
ST - silver texture
<i>Other finishes, consult factory</i></p> <p>5 <u>Voltage</u>
120-277</p> <p>6 <u>Beam Spreads</u></p> <table border="0" style="width: 100%;"> <tr> <td>1LT</td> <td>2LT</td> <td>3LT</td> <td>4LT</td> <td></td> </tr> <tr> <td>SP</td> <td>SP</td> <td>SP</td> <td>SP</td> <td>(spot 15°)</td> </tr> <tr> <td>NF</td> <td>NF</td> <td>NF</td> <td>NF</td> <td>(narrow flood 22°)</td> </tr> <tr> <td>MFL</td> <td>MFL</td> <td>MFL</td> <td>MFL</td> <td>(medium flood 25°)</td> </tr> <tr> <td>FL</td> <td>FL</td> <td>FL</td> <td>FL</td> <td>(flood 28°)</td> </tr> <tr> <td>WF</td> <td>WF</td> <td>WF</td> <td>WF</td> <td>(wide flood 45°)</td> </tr> <tr> <td>VWF</td> <td>VWF</td> <td>VWF</td> <td>VWF</td> <td>(very wide flood 60°)</td> </tr> <tr> <td>LS</td> <td>LS</td> <td>LS</td> <td>LS</td> <td>(linear spread lens 60°x10°)</td> </tr> </table> | 1LT | 2LT | 3LT | 4LT | | SP | SP | SP | SP | (spot 15°) | NF | NF | NF | NF | (narrow flood 22°) | MFL | MFL | MFL | MFL | (medium flood 25°) | FL | FL | FL | FL | (flood 28°) | WF | WF | WF | WF | (wide flood 45°) | VWF | VWF | VWF | VWF | (very wide flood 60°) | LS | LS | LS | LS | (linear spread lens 60°x10°) | <p>7 <u>Color Temp</u></p> <table border="0" style="width: 100%;"> <tr> <td>83 CRI:</td> <td>90+ CRI:</td> <td></td> </tr> <tr> <td>27 - 2700K-83</td> <td>229 - 2200K-90+</td> <td>CRISP - CrispWhite</td> </tr> <tr> <td>30 - 3000K-83</td> <td>279 - 2700K-90+</td> <td>3CLA - 3K Class A</td> </tr> <tr> <td>35 - 3500K-83</td> <td>309 - 3000K-90+</td> <td></td> </tr> <tr> <td>40 - 4000K-83</td> <td>359 - 3500K-90+</td> <td></td> </tr> <tr> <td></td> <td>409 - 4000K-90+</td> <td></td> </tr> </table> <p>8 <u>Driver</u> (for non-dimming select LE/TE option)
LE/TE - TRIAC/ELV dimming, 5% dim
HILUME-H-ECO - Lutron Hi-lume® H Series, EcoSystem, 1% dim with soft on, fade to black
O-10V - 0-10V dimming; 1% dim
DALI - EldoLED; 1% dim</p> <p>9 <u>Options/Accessories</u>
SNAH - snoot accessory holder, 1" length, matte black interior, exterior finish matches fixture finish, accepts cross blade plus 2 additional forms of media
AH - accessory holder, finish matches fixture finish, accepts 2 forms of media
HEX - hexcell louver, 1/8" x 1/8" (requires SNAH or AH)
CB - cross blade, matte black finish (requires SNAH)
SOL - solite lens (requires AH or SNAH)
EM - emergency battery pack, powers only 1 head of the the total fixture</p> | 83 CRI: | 90+ CRI: | | 27 - 2700K-83 | 229 - 2200K-90+ | CRISP - CrispWhite | 30 - 3000K-83 | 279 - 2700K-90+ | 3CLA - 3K Class A | 35 - 3500K-83 | 309 - 3000K-90+ | | 40 - 4000K-83 | 359 - 3500K-90+ | | | 409 - 4000K-90+ | |
| 1LT | 2LT | 3LT | 4LT | | | | | | | | | | | | | | | | | | | | | | | | | | | | | | | | | | | | | | | | | | | | | | | | | | | | | | | | |
| SP | SP | SP | SP | (spot 15°) | | | | | | | | | | | | | | | | | | | | | | | | | | | | | | | | | | | | | | | | | | | | | | | | | | | | | | | |
| NF | NF | NF | NF | (narrow flood 22°) | | | | | | | | | | | | | | | | | | | | | | | | | | | | | | | | | | | | | | | | | | | | | | | | | | | | | | | |
| MFL | MFL | MFL | MFL | (medium flood 25°) | | | | | | | | | | | | | | | | | | | | | | | | | | | | | | | | | | | | | | | | | | | | | | | | | | | | | | | |
| FL | FL | FL | FL | (flood 28°) | | | | | | | | | | | | | | | | | | | | | | | | | | | | | | | | | | | | | | | | | | | | | | | | | | | | | | | |
| WF | WF | WF | WF | (wide flood 45°) | | | | | | | | | | | | | | | | | | | | | | | | | | | | | | | | | | | | | | | | | | | | | | | | | | | | | | | |
| VWF | VWF | VWF | VWF | (very wide flood 60°) | | | | | | | | | | | | | | | | | | | | | | | | | | | | | | | | | | | | | | | | | | | | | | | | | | | | | | | |
| LS | LS | LS | LS | (linear spread lens 60°x10°) | | | | | | | | | | | | | | | | | | | | | | | | | | | | | | | | | | | | | | | | | | | | | | | | | | | | | | | |
| 83 CRI: | 90+ CRI: | | | | | | | | | | | | | | | | | | | | | | | | | | | | | | | | | | | | | | | | | | | | | | | | | | | | | | | | | | |
| 27 - 2700K-83 | 229 - 2200K-90+ | CRISP - CrispWhite | | | | | | | | | | | | | | | | | | | | | | | | | | | | | | | | | | | | | | | | | | | | | | | | | | | | | | | | | |
| 30 - 3000K-83 | 279 - 2700K-90+ | 3CLA - 3K Class A | | | | | | | | | | | | | | | | | | | | | | | | | | | | | | | | | | | | | | | | | | | | | | | | | | | | | | | | | |
| 35 - 3500K-83 | 309 - 3000K-90+ | | | | | | | | | | | | | | | | | | | | | | | | | | | | | | | | | | | | | | | | | | | | | | | | | | | | | | | | | | |
| 40 - 4000K-83 | 359 - 3500K-90+ | | | | | | | | | | | | | | | | | | | | | | | | | | | | | | | | | | | | | | | | | | | | | | | | | | | | | | | | | | |
| | 409 - 4000K-90+ | | | | | | | | | | | | | | | | | | | | | | | | | | | | | | | | | | | | | | | | | | | | | | | | | | | | | | | | | | |

Hornet® HP

Recessed 4-Light Square Multiple



PROJECT:

TYPE:

Specifications

Application

Retail, commercial and hospitality accent and display lighting

Construction

Stamped steel mounting frame with integral mounting bars
Thermally protected (adds 2W to total fixture wattage)
Steel driver housing
Steel upper housing and laser cut trim ring
Complete die-cast optical head construction
No exposed wiring

Optical

Tilt: 0-45°x45°
Rotation: 360°+
Beam Spreads: Spot, 15°; Narrow Flood, 22°;
Medium Flood, 25°; Flood, 28°; Wide Flood, 45°;
Very Wide Flood, 60°; Linear Spread, 60° x 10°

LED

Color Temp Options:
2200K, 2700K, 3000K, 3500K, 4000K, CRISP
CRI: 83 typ. (2700K, 3000K, 3500K, 4000K)
90+ typ. (2200K, 2700K, 3000K, 3500K, 4000K)
CrispWhite* LED available
Class A 3000K (high CRI, high gamut)
R9 Values: 11 (83 CRI), 55 (92 CRI)
Binning: 3 MacAdam (SDCM)
Life: 50,000+ hrs, > 70% of initial lumens at 50,000 hrs

**CrispWhite: CrispWhite Technology delivers the warmth of colors expected from a high 90 CRI solution but also creates the natural crisp white color that is pleasing to the eye. It creates the most impactful lighting ever available, by revealing the richest whites and vibrant colors that pop.*

***Class A LED: Class A LED's have a CRI > 80 and a GAI > 80. CRI defines color "Naturalness" and GAI defines color "Saturation." Both being high delivers rich colors and pure whites.*

Electrical

Wattage: 11, 16
Electronic constant current LED driver, 120/277VAC input
This product complies with IEEE C62.41 for surge endurance up to 2.5KV. Amerlux® recommends using additional surge protection with this unit (supplied by others), surge and over voltage damage is not covered under warranty.

Drivers

LE/TE - Leading Edge, TRIAC, forward phase/Trailing Edge, ELV, reverse phase
0-10V, Lutron and DALI systems also available
See pages 5-6 for more dimming information

Finish

Powder coat paint
Consult Factory for custom finishes

Mounting

For use in T-Grid or GB ceilings; max ceiling thickness 1"
Adjustable hanger bars included (14 1/2" - 25" std.)
(32"-48" Adjustable hanger bars available)
Consult Factory for thicker ceilings

Certifications

CSA listed to UL standards. Suitable for damp locations
Indoor use only

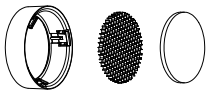
Warranty

5 year limited warranty

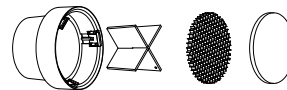
Emergency Battery Pack (EM)

Powers single head at 5.1 watts (approx. 400 Lm) for 90 minutes.

Accessories (diagrams show installation order)



Accessory holder, hexcell louver, solite lens



Snoot accessory holder, cross blade, hexcell louver, solite lens

Hornet® HP

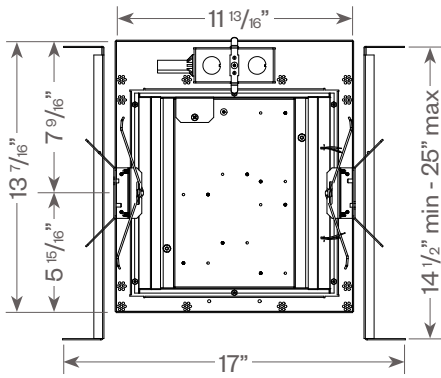
Recessed 4-Light Square Multiple



PROJECT:

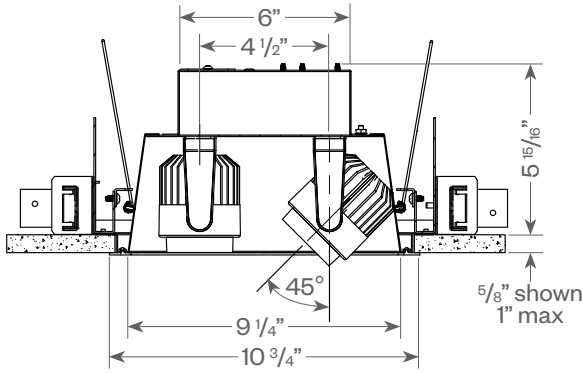
TYPE:

Hornet HP Recessed Multiples:

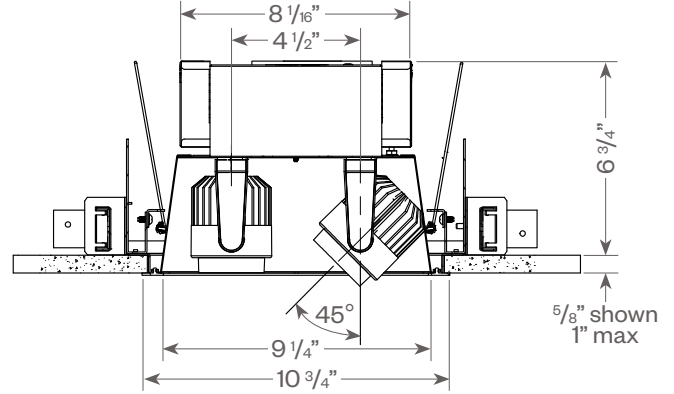


Ceiling cut out: 10 3/8" x 10 3/8"

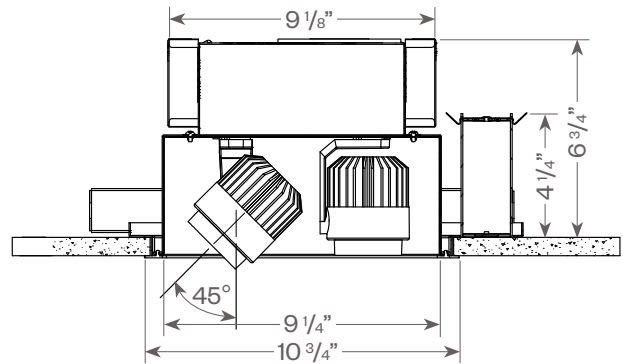
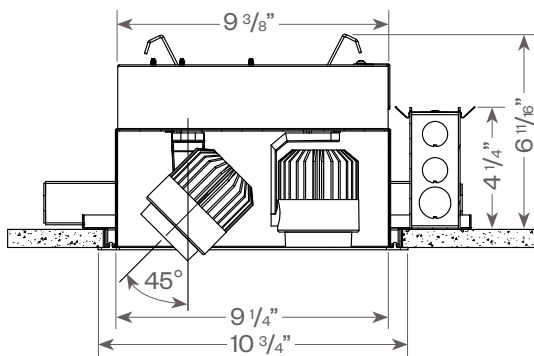
End View Standard Driver (ELV/TRIAC)



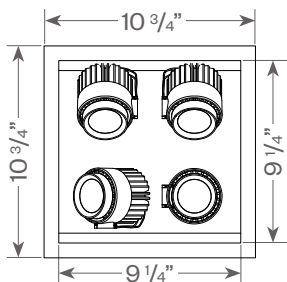
End View Hi-lume®/0-10V Driver



Side View Standard Driver (ELV/TRIAC)



Bottom View



PROJECT:

TYPE:

DIMMING COMPATIBILITY:

Amerlux[®] Hornet fixtures are compatible with all major dimming protocols prevalent in the United States. Please see below for general compatibilities and wiring diagrams. Amerlux recommends testing your unique dimming configuration as the exact full configuration (Dimmer, Fixture Quantity, Voltage, etc) may affect dimming performance.

--- NOTE: INFORMATION BELOW IS FOR WIRED DIMMERS ONLY. FOR WIRELESS DIMMERS, CONSULT FACTORY ---

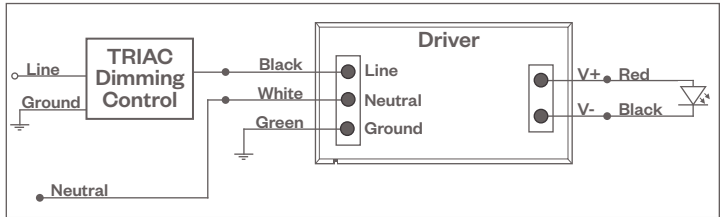
TRIAC (Forward Phase) DIMMING (Standard)

Utilizes "Standard" incandescent dimmers that are in wide use in installations across the US. Best for retrofit applications where TRIAC dimmers are installed.

Notes:

- 120VAC or 277VAC*
- Dims down to 5% light output (most cases)
- Consult Dimming manufacturer for installation instructions - DO NOT SHARE NEUTRALS!
- Must meet dimmer Minimum Load Requirements per dimming manufacturer

TRIAC Wiring Diagram



Compatible Dimmers†:

Wall Box (Incandescent Style, Wattage as required)		Central System
Lutron "Diva"	Lutron "Vareo"	Lutron "GP" Panel
Lutron "Nova-T"	Lutron "Skylark"	Lutron Grafik Eye QS
Lutron "Maestro"		

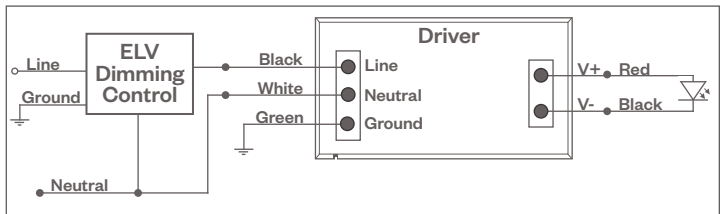
ELV - Electronic Low Voltage (Reverse Phase) DIMMING (Standard)

Utilizes specialized "ELV" dimmers.

Notes:

- 120VAC or 277VAC*
- Dims down to 5% light output (most cases)
- Consult Dimming manufacturer for installation instructions - DO NOT SHARE NEUTRALS!
- Must meet dimmer Minimum Load Requirements

ELV Wiring Diagram



Compatible Dimmers†:

Wall Box (ELV Style)		Central System
Lutron "Diva"	Leviton "Surslide"	Lutron "GP" Panel with PHPM-PA Interface
Lutron "Nova-T"	Leviton "Vizio"	Lutron Grafik Eye QS with PHPM-PA Interface
Lutron "Maestro"		
Lutron "Vareo"		
Lutron "Skylark"		

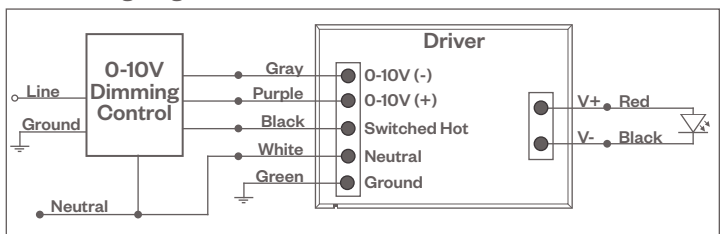
0-10V - DIMMING (-0-10V Option)

Integrates into a variety of building management and daylighting controls

Notes:

- 120VAC or 277VAC*
- Dims down to 1% light output
- Requires interface to turn off power to driver
- Consult Dimming manufacturer for installation instructions - DO NOT SHARE NEUTRALS!

0-10V Wiring Diagram



Compatible Dimmers†:

Wall Box	Central System
Lutron "Diva" - DVTV with PP-120H Interface	Leviton Renoir II 0-10V
	Lutron Grafik Eye with GRX-TVI Interface

Notes:

- * Driver is 277VAC dimmable with appropriate dimmer (by others). All provided wiring diagrams show 120VAC wiring colors and method. Please refer to 277VAC dimmer installation instructions for 277VAC wiring diagrams.
- † The absence of a dimmer from the lists above does not imply incompatibility. Please consult factory for compatibility inquiries.

PROJECT:

TYPE:

DIMMING COMPATIBILITY:

Amerlux[®] Hornet fixtures are compatible with all major dimming protocols prevalent in the United States. Please see below for general compatibilities and wiring diagrams. Amerlux recommends testing your unique dimming configuration as the exact full configuration (Dimmer, Fixture Quantity, Voltage, etc) may affect dimming performance.

--- NOTE: INFORMATION BELOW IS FOR WIRED DIMMERS ONLY. FOR WIRELESS DIMMERS, CONSULT FACTORY ---

LUTRON H-SERIES / ECOSYSTEM (-HILUME-H-ECO Option)

Integrates into Lutron EcoSystem building management

Notes:

- 120VAC or 277VAC*
- Dims down to 1% light output
- EcoSystem Control
- Consult Dimming manufacturer for installation instructions - DO NOT SHARE NEUTRALS!

Compatible Dimmers†:

Lutron ECO System

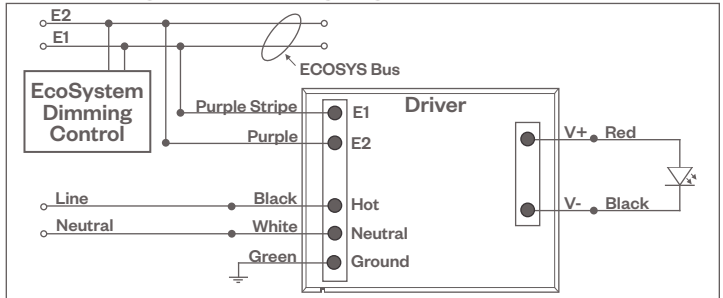
Pow Pak Dimming Modules
Energi Savr Node
Grafik Eye QS/Homeworks
QS Control Unit
Quantum Hub
Homeworks QS/My Room

Central System

Lutron EcoSystem compatible controls

HILUME-H-ECO, HILUME-5-ECO

EcoSystem Digital Control Wiring Diagram



DALI DIMMING (-DALI OPTION)

Digital control protocol allows individual fixture control

Notes:

- 120VAC - 277VAC*
- Dims down to 1% light output in most cases

Compatible Dimmers†:

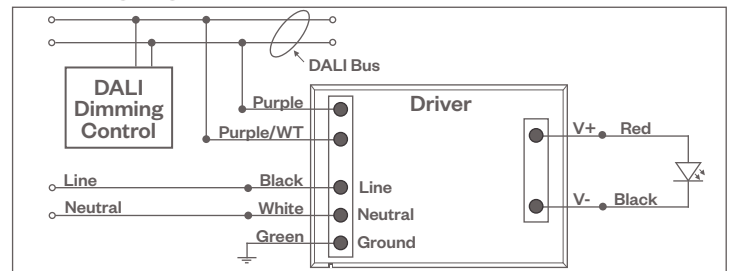
Wall Box (3-Wire Fluorescent)

Leviton CD250 Controller

Central System

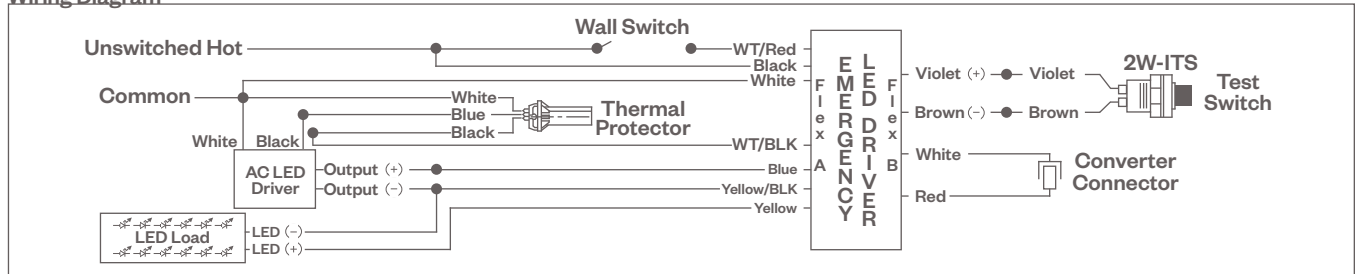
Dynalite
Fifth Light

DALI Wiring Diagram



EMERGENCY DIMMING (-EM OPTION)

Wiring Diagram



Notes:

- * Driver is 277VAC dimmable with appropriate dimmer (by others). All provided wiring diagrams show 120VAC wiring colors and method. Please refer to 277VAC dimmer installation instructions for 277VAC wiring diagrams.
- † The absence of a dimmer from the lists above does not imply incompatibility. Please consult factory for compatibility inquiries.