

HORNET® HIGH POWER

MULTIPLE SEMI-RECESSED 3 LT LED INTERNATIONAL

I-HORNET-HP-SR-A14-3
3LT LED

APPLICATION:

Accent and display lighting for retail, commercial and supermarket environments

CONSTRUCTION:

Steel driver housing
Steel upper housing and laser cut trim ring
Complete die-cast optical head construction
Thermally protected
No exposed wiring
Powder coat paint

ELECTRICAL:

Electronic constant current LED driver, 240 input
ELV and Triac dimming standard

This product complies with IEEE C62.41 for surge endurance up to 2.5KV. Amerlux recommends using additional surge protection with this unit (supplied by others), surge damage is not covered by warranty.

OPTICS:

0-40° x 40° tilt, 360°+ rotation

Available in a variety of beam spreads

LED:

Color Temp Options: 2200K, 2700K, 3000K, 3500K, 4000K

CRI: 83 typ. (2700K, 3000K, 3500K, 4000K)

90+ typ. (2200K, 2700K, 3000K)

CrispWhite LED available (16w max)

R9 Values: 11 (83CRI), 55 (90+CRI)

Binning: 3 MacAdam

Lumen Maintenance: >70% of initial lumens @ 50,000 hrs

Lumen Output (per head, 18W, 3000K): SP 1369 lm
(75 lm/W)

CBCP (per head, 18W, 3000K): SP 12,215

MOUNTING:

Swing out lugs permit from below mounting into ceiling up to 55 mm thick

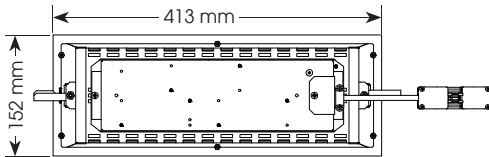
LABELING:



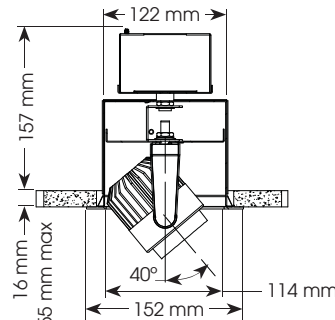
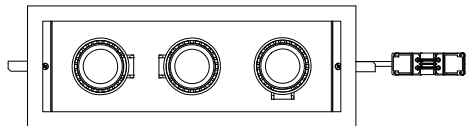
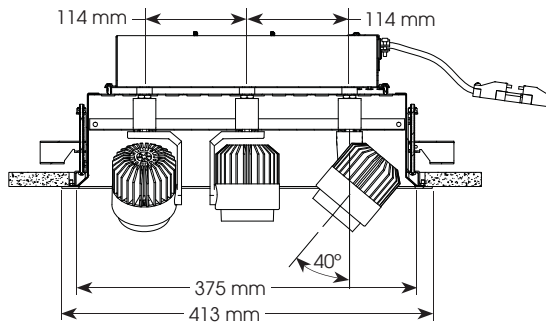
For indoor use only

PROJECT:

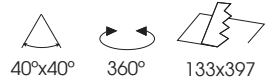
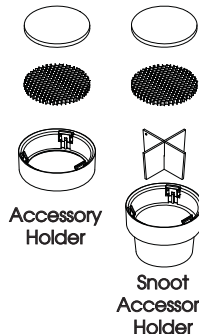
TYPE:



Ceiling Cut Out Dimension: 133 mm x 397 mm



Accessory Options:



ELECTRICAL

Electronic driver

	3x11W		3x16W		3x18W	
	System Watts	Amps	System Watts	Amps	System Watts	Amps
240 v	33	0.14	48	0.20	54	0.23

ORDERING INFORMATION:

Model	# Heads	Wattage	Lamp Type	Housing/ Head Finish	Voltage	Beam Spreads* Hd 1 Hd 2 Hd 3	Trim Finish	Color Temp (CCT(K)-CRI)	Listing Code	Options/Accessories
I-HORNET-HP-SR-A14	3	11 16 18	LED	WT - white texture BT - black texture ST - silver texture _____ (other RAL)	240	SP SP SP NF NF NF MFL MFL MFL FL FL FL WF WF WF VWF VWF VWF LS LS LS	WT - white texture BT - black texture ST - silver texture	27 - 2700-83 30 - 3000-83 35 - 3500-83 40 - 4000-83 229 - 2200-90+ 279 - 2700-90+ 309 - 3000-90+ CRISP - CrispWhite (16W max)	CE	SNAH - snoot accessory holder, 1" length, matte black interior, specify exterior color (WT, BT, ST), accepts cross blade plus 2 additional forms of media AH - accessory holder, specify finish (WT, BT, ST), accepts 2 forms of media CB - cross blade, matte black finish, requires snoot HEX - hexcell louver (1/8" x 1/8"), requires SNAH or AH SOL - solite beam softening lens, requires SNAH or AH

*SP - spot 15°, NF - narrow flood 22°, MFL - medium flood 25°, FL - flood 28°, WF - wide flood 45°, VWF - very wide flood 60°, LS - linear spread 60°x10°

Example: I-HORNET-HP-SR-A14-3-18-LED-WT-240-FL-FL-FL-WT-30-CE

Cat #:

Amerlux reserves the right to change details that do not affect overall function and performance.

HORNET® HIGH POWER

MULTIPLE SEMI-RECESSED 3 LT LED INTERNATIONAL

I-HORNET-HP-
SR-A14-3
3LT LED



TYPE:

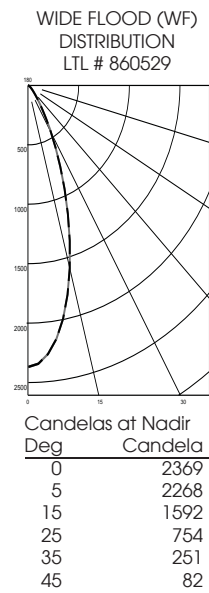
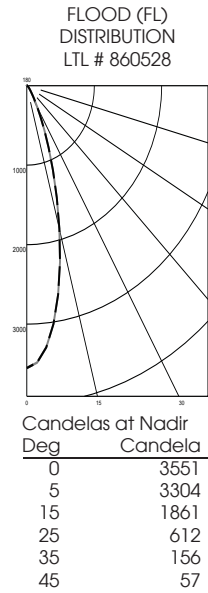
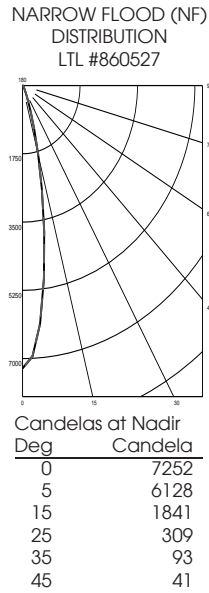
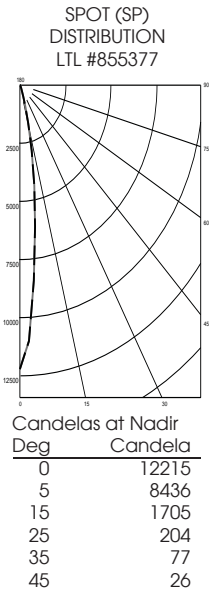


FIXTURE DATA: For 11W data, multiply by 0.62; For 16W data, multiply by 0.88

Complete photometric data (ies format) available upon request.

Note: Data per head

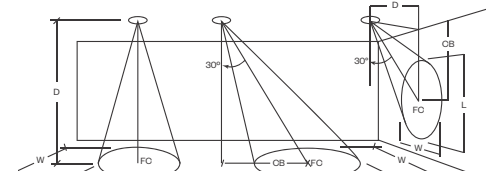
18W LED



APPLICATION DATA:

Notes and Definitions:

Beam spread is to 50% center beam candlepower (CBCP).
 D=Distance to floor or wall.
 FC=Footcandles on floor or wall at center beam aiming location.
 L=Effective Visual Beam length in feet (50% of maximum footcandle level).
 W=Effective Visual Beam width in feet (50% of maximum footcandle level).
 CB=Distance across or down to center beam location.



	0° Aiming Angle Horizontal Footcandles				30° Aiming Angle Horizontal Footcandles					30° Aiming Angle Vertical Footcandles					60° Aiming Angle Vertical Footcandles				
	D	FC	L	W	D	FC	L	W	CB	D	FC	L	W	CB	D	FC	L	W	CB
SPOT	5.0'	484	1.4	1.4	5.0'	313	1.8	1.5	3.0	3.0'	178	3.0	1.6	5.0	3.0'	630	1.6	1.1	2.0
	7.5'	216	2.0	2.0	7.5'	136	2.8	2.4	4.0	4.0'	105	3.8	2.1	6.0	4.0'	450	1.6	1.3	2.0
	10.0'	122	2.7	2.7	10.0'	76	3.7	3.2	6.0	5.0'	67	4.8	2.7	8.0	5.0'	298	2.0	1.6	3.0
	12.5'	78	3.4	3.4	12.5'	46	4.8	4.2	7.0	6.0'	47	5.9	3.2	9.0	6.0'	200	2.4	1.9	3.0
NARROW FLOOD	5.0'	289	1.7	1.7	5.0'	187	2.4	2.1	3.0	3.0'	127	3.3	1.8	4.0	3.0'	422	1.9	1.3	2.0
	7.5'	129	2.8	2.8	7.5'	86	3.5	3.1	4.0	4.0'	70	4.4	2.7	6.0	4.0'	298	1.9	1.5	2.0
	10.0'	73	3.6	3.6	10.0'	47	4.7	4.1	5.0	5.0'	47	5.3	3.2	7.0	5.0'	181	2.5	2.1	3.0
	12.5'	47	4.5	4.5	12.5'	31	5.8	5.2	7.0	6.0'	32	6.7	3.9	8.0	6.0'	133	2.8	2.5	3.0
FLOOD	5.0'	142	2.7	2.7	5.0'	92	3.4	3.1	3.0	3.0'	75	3.8	2.7	4.0	3.0'	232	2.3	1.7	2.0
	7.5'	63	3.9	3.9	7.5'	43	4.9	4.4	4.0	4.0'	44	4.9	3.3	5.0	4.0'	154	2.7	2.4	2.0
	10.0'	36	5.2	5.2	10.0'	25	6.4	5.8	5.0	5.0'	29	6.1	4.1	6.0	5.0'	95	3.4	3.0	2.0
	12.5'	23	6.5	6.5	12.5'	16	8.0	7.2	6.0	6.0'	20	7.4	5.1	7.0	6.0'	69	3.8	3.5	3.0
WIDE FLOOD	5.0'	95	3.2	3.2	5.0'	67	3.9	3.4	2.0	3.0'	63	3.7	2.8	3.0	3.0'	180	2.4	2.0	1.0
	7.5'	42	4.8	4.8	7.5'	30	5.7	5.3	3.0	4.0'	36	4.9	3.7	4.0	4.0'	105	3.2	2.9	2.0
	10.0'	24	6.4	6.4	10.0'	17	7.6	7.1	4.0	5.0'	23	6.1	4.8	5.0	5.0'	69	3.8	3.5	2.0
	12.5'	15	8.0	8.0	12.5'	11	9.6	8.9	5.0	6.0'	16	7.5	5.7	6.0	6.0'	47	4.7	4.3	3.0