

# Hornet<sup>®</sup> HP

## Semi-Recessed Multiples



### Features

Hornet High Power (HP) Multiples perform beautifully, punching through higher ambient light with strong output making them perfect for retail applications. For a clean ceiling aesthetic or when track is not an option, Hornet HP Multiples are ideal for delivering great performance, energy efficiency, and maximum control over where and how you want to place light.

### Product Overview

Type:	Recessed Multiple, Accent & Display
Wattage:	11, 16, 18
Lumen Output:	1,640 max; 91.1 Lm/W (spot optic)
CBCP:	13,119 max (spot optic)
Color Temp:	2200K, 2700K, 3000K, 3500K, 4000K, CRISP
CRI:	83 typ. (2700K, 3000K, 3500K, 4000K) 90+ typ. (2200K, 2700K, 3000K, 3500K, 4000K) CrispWhite (16W max) & 3K Class A available
Dimming:	TRIAC & ELV (120/277VAC) - 5% Dim Lutron Hi-lume <sup>®</sup> H Series/EcoSystem - 1% dim with soft on, fade to black, 120/277VAC 0-10V (120/277VAC) - 1% Dim DALI (120/277VAC) - 1% Dim



### PROJECT:

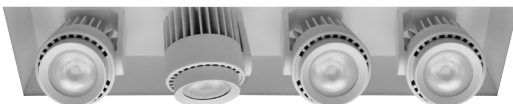
### TYPE:



2 Light



3 Light



4 Light (Trimless version show)

### Fixture Summary *(see following pages for more information)*

#### Fixture Type

# of Heads	New Construction	Remodeler	Trim	Trimless
1	Yes	No	Yes	Yes
2	Yes	No	Yes	Yes
3	Yes	No	Yes	Yes
4	Yes	No	Yes	Yes

*See separate spec sheet for Recessed or Remodeler versions.*

#### Performance Chart

Watts	Delivered Lumens	LPW	CBCP	Color Temp
11	1030	93.7	8,243	3000K-83
16	1,451	90.7	11,610	3000K-83
18	1,640	91.1	13,119	3000K-83

*Data is based on 3000K-83, 120V IES files available on website*

*Data is "per head" and based on Spot optic*

*See page 10 for other beam spreads*



**PROJECT:**

**TYPE:**

**Frame Ordering Information**

1	2	3	4	5	6
<b>1</b> <u>Model</u> HORNET-HP-R/SR-NC-FRAME (new construction) HORNET-HP-SR-CP-FRAME (Chicago Plenum)				<b>4</b> <u>Voltage</u> 120 277	
<b>2</b> <u>Style</u> T - trimmed TL - trimless				<b>5</b> <u>Driver</u> (for non-dimming select LE/TE option) LE/TE - TRIAC/ELV dimming, 5% dim (standard) HILUME-H-ECO - Lutron Hi-lume® H Series, EcoSystem, 1% dim with soft on, fade to black 0-10V - 0-10V dimming; 1% dim DALI - EidoLED; 1% dim	
<b>3</b> <u># of Heads</u> 1 2 3 4				<b>6</b> <u>Options/Accessories</u> EM - emergency battery pack, available on 2, 3 or 4 light - powers only 1 head of the the total fixture (not available for use with CP option)	

**Trim Ordering Information**

120-277										
1	2	3	4	5	6	7	8	9	10	
<b>1</b> <u>Model</u> HORNET-HP-SR-NC-TRIM (new construction) HORNET-HP-SR-CP-TRIM (Chicago Plenum)							<b>8</b> <u>Color Temp</u> 83 CRI: 27 - 2700K-83 30 - 3000K-83 35 - 3500K-83 40 - 4000K-83 90+ CRI: 229 - 2200K-90+ 279 - 2700K-90+ 309 - 3000K-90+ 359 - 3500K-90+ 409 - 4000K-90+ CRISP - CrispWhite (16W max) 3CLA - 3K Class A			
<b>2</b> <u>Style</u> T - trimmed TL - trimless								<b>9</b> <u>Driver</u> (for non-dimming select LE/TE option) LE/TE - TRIAC/ELV dimming, 5% dim (standard) HILUME-H-ECO - Lutron Hi-lume® H Series, EcoSystem, 1% dim with soft on, fade to black 0-10V - 0-10V dimming; 1% dim DALI - EidoLED; 1% dim		
<b>3</b> <u># of HHeads</u> 1 2 3 4								<b>10</b> <u>Options/Accessories</u> SNAH - snoot accessory holder, 1" length, matte black interior, exterior finish matches fixture finish, accepts cross blade plus 2 additional forms of media AH - accessory holder, finish matches fixture finish, accepts 2 forms of media HEX - hexcell louver, 1/8" x 1/8" (requires SNAH or AH) CB - cross blade, matte black finish (requires SNAH) SOL - solite lens (requires AH or SNAH) EM - emergency battery pack, available on 2, 3 or 4 light - powers only 1 head of the the total fixture (not available for use with CP option)		
<b>4</b> <u>Wattage</u> 11 16 18										
<b>5</b> <u>Finish</u> (for housing, head & trim) WT - white texture BT - black texture ST - silver texture <i>Other finishes, consult factory</i>										
<b>6</b> <u>Voltage</u> 120-277										
<b>7</b> <u>Beam Spreads</u> 1LT    2LT    3LT    4LT SP    SP    SP    SP    (spot 15°) NF    NF    NF    NF    (narrow flood 22°) MFL   MFL   MFL   MFL   (medium flood 25°) FL    FL    FL    FL    (flood 28°) WF    WF    WF    WF    (wide flood 40°) VWF   VWF   VWF   VWF   (very wide flood 60°) LS    LS    LS    LS    (linear spread lens 60°x10°)										

# Hornet® HP

Semi-Recessed Multiples



## PROJECT:

## TYPE:

### Specifications

#### Application

Retail, commercial and hospitality accent and display lighting

#### Construction

- Stamped steel mounting frame with integral mounting bars
- Thermally protected (adds 2W to total fixture wattage)
- Steel driver housing
- Steel upper housing and laser cut trim ring
- Steel plaster frame (trimless only)
- Complete die-cast optical head construction
- No exposed wiring

#### Optical

- Tilt: 0-40°x40° (SR); 0-45°x45° (SRTLX)
- Rotation: 360°+
- Beam Spreads: Spot, 15°; Narrow Flood, 22°; Medium Flood, 25°; Flood, 28°; Wide Flood, 40°; Very Wide Flood, 60°; Linear Spread, 60° x 10°

#### LED

- Color Temp Options: 2200K, 2700K, 3000K, 3500K, 4000K, CRISP
- CRI: 83 typ. (2700K, 3000K, 3500K, 4000K) 90+ typ. (2200K, 2700K, 3000K, 3500K, 4000K)
- CrispWhite\* LED available, 16W max
- Class A 3000K (high CRI, high gamut)
- R9 Values: 11 (83 CRI), 55 (92 CRI)
- Binning: 3 MacAdam (SDCM)
- Life: 50,000+ hrs, > 70% of initial lumens at 50,000 hrs
- \*CrispWhite: CrispWhite Technology delivers the warmth of colors expected from a high 90 CRI solution but also creates the natural crisp white color that is pleasing to the eye. It creates the most impactful lighting ever available, by revealing the richest whites and vibrant colors that pop.*
- \*\*Class A LED: Class A LED's have a CRI > 80 and a GAI > 80. CRI defines color "Naturalness" and GAI defines color "Saturation." Both being high delivers rich colors and pure whites.*

#### Electrical

- Wattage: 11, 16, 18
- Electronic constant current LED driver, 120/277VAC input
- This product complies with IEEE C62.41 for surge endurance up to 2.5KV. Amerlux® recommends using additional surge protection with this unit (supplied by others), surge and over voltage damage is not covered under warranty.

#### Drivers

- LE/TE - Leading Edge, TRIAC, forward phase/Trailing Edge, ELV, reverse phase
- 0-10V, Lutron and DALI systems also available
- See pages 11-13 for more dimming information

#### Finish

- Powder coat paint
- Consult Factory for custom finishes

#### Mounting

- For use in T-Grid or GB ceilings; max ceiling thickness 1"
- Adjustable hanger bars included (14 1/2" - 25" std.) (32"-48" Adjustable hanger bars available)
- Consult Factory for thicker ceilings

#### Certifications

- CSA listed to UL standards. Suitable for damp locations
- Indoor use only

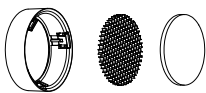
#### Warranty

- 5 year limited warranty

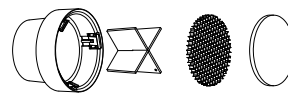
#### Emergency Battery Pack (EM)

- Powers single head of 2, 3 or 4 light multiple at 5.1 watts (approx. 400 Lm) for 90 minutes. Not available on 1 light multiple

### Accessories (diagrams show installation order)



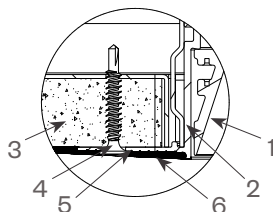
Accessory holder, hexcell louver, solite lens



Snoot accessory holder, cross blade, hexcell louver, solite lens

### Plaster Frame Installation Detail (for trimless fixture only)

1. Recessed extruded housing
2. Aperture plate
3. Ceiling 5/8"
4. Drywall screw (by others)
5. Plaster frame
6. Plaster skim coat (by others)



**PROJECT:**

**TYPE:**

**Electrical Data**

**1 Light**

	1 x 11W		1 x 16W		1 x 18W	
	System Watts	Amps	System Watts	Amps	System Watts	Amps
120V	11	0.09	16	0.13	18	0.15
277V	11	0.04	16	0.06	18	0.07

*Electronic constant current LED driver*

**2 Light**

	2 x 11W		2 x 16W		2 x 18W	
	System Watts	Amps	System Watts	Amps	System Watts	Amps
120V	22	0.18	32	0.27	36	0.30
277V	22	0.08	32	0.12	36	0.13

*Electronic constant current LED driver*

**3 Light**

	3 x 11W		3 x 16W		3 x 18W	
	System Watts	Amps	System Watts	Amps	System Watts	Amps
120V	33	0.28	48	0.40	54	0.45
277V	33	0.12	48	0.17	54	0.19

*Electronic constant current LED driver*

**4 Light**

	4 x 11W		4 x 16W		4 x 18W	
	System Watts	Amps	System Watts	Amps	System Watts	Amps
120V	44	0.37	64	0.53	72	0.60
277V	44	0.16	64	0.23	72	0.26

*Electronic constant current LED driver*

# Hornet<sup>®</sup> HP

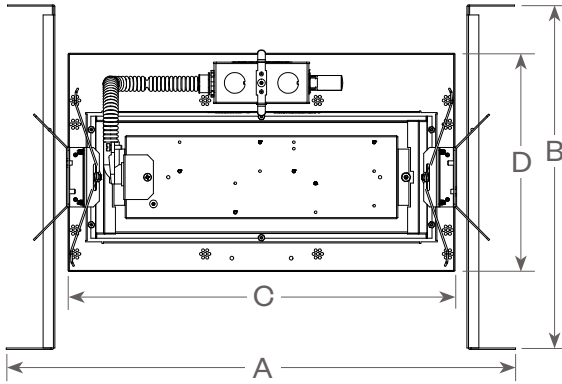
Semi-Recessed Multiples



**PROJECT:**

**TYPE:**

## Hornet HP Multiples: Semi-Recessed

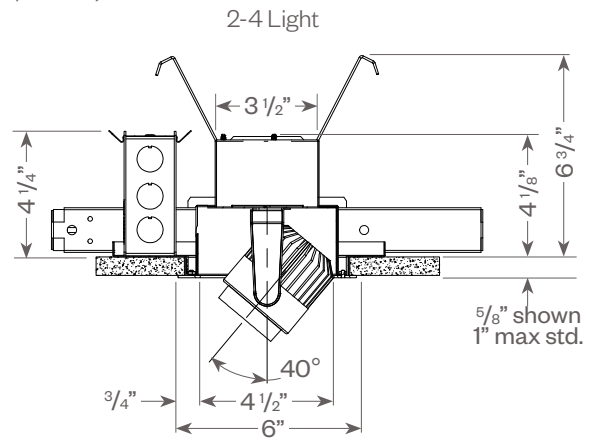
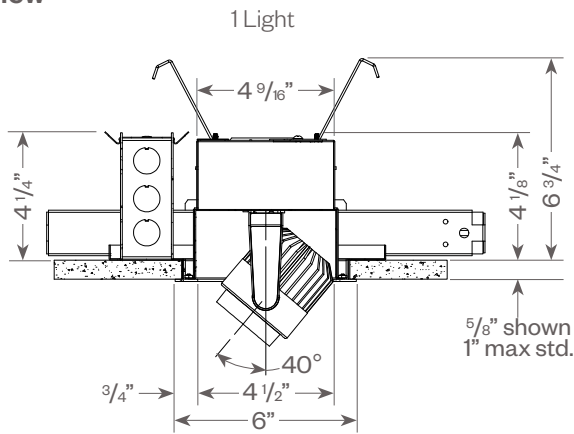


	1 Light	2 Light	3 Light	4 Light
<b>A</b>	12 1/8"	17"	21 1/2"	26"
<b>B</b>	14 1/2" max 25"	14 1/2" max 25"	14 1/2" max 25"	14 1/2" max 25"
<b>C</b>	7 1/8"	11 13/16"	16 5/16"	20 13/16"
<b>D</b>	9 1/8"	9 1/8"	9 1/8"	9 1/8"

**Ceiling cut out:** 1 Light - 5 9/16" x 5 9/16"  
 2 Light - 5 9/16" x 10 5/16"  
 3 Light - 5 9/16" x 14 13/16"  
 4 Light - 5 9/16" x 19 5/16"

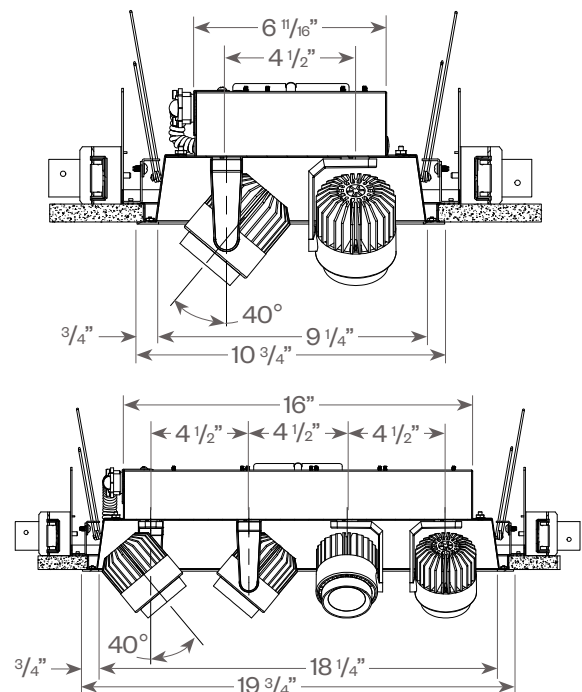
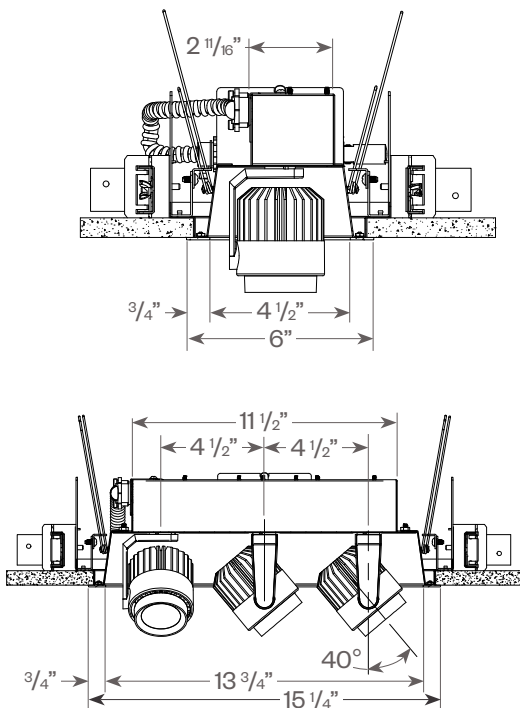
### End View

Standard Driver (ELV/TRIAC)



### Side View

Standard Driver (ELV/TRIAC)



# Hornet® HP

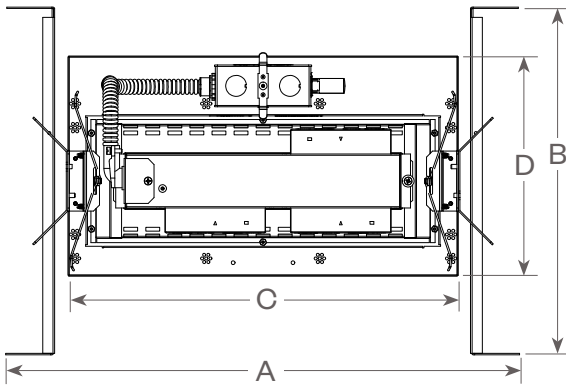
Semi-Recessed Multiples



**PROJECT:**

**TYPE:**

## Hornet HP Multiples: Semi-Recessed

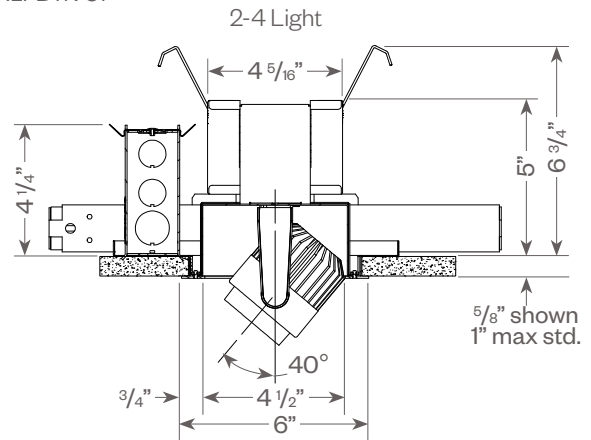
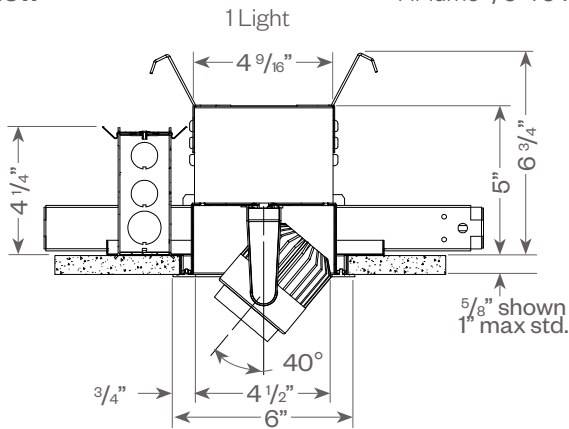


	1 Light	2 Light	3 Light	4 Light
<b>A</b>	12 1/8"	17"	21 1/2"	26"
<b>B</b>	14 1/2" max 25"	14 1/2" max 25"	14 1/2" max 25"	14 1/2" max 25"
<b>C</b>	7 1/8"	11 13/16"	16 5/16"	20 13/16"
<b>D</b>	9 1/8"	9 1/8"	9 1/8"	9 1/8"

**Ceiling cut out:** 1 Light - 5 9/16" x 5 9/16"  
 2 Light - 5 9/16" x 10 5/16"  
 3 Light - 5 9/16" x 14 13/16"  
 4 Light - 5 9/16" x 19 5/16"

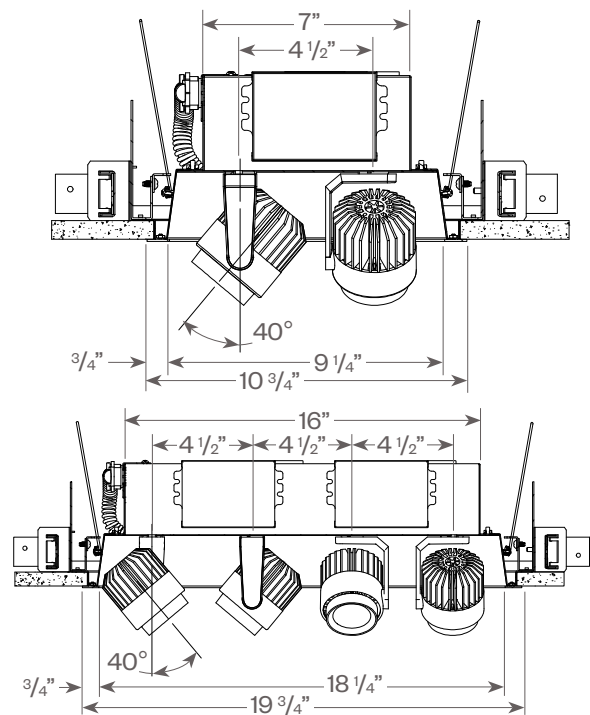
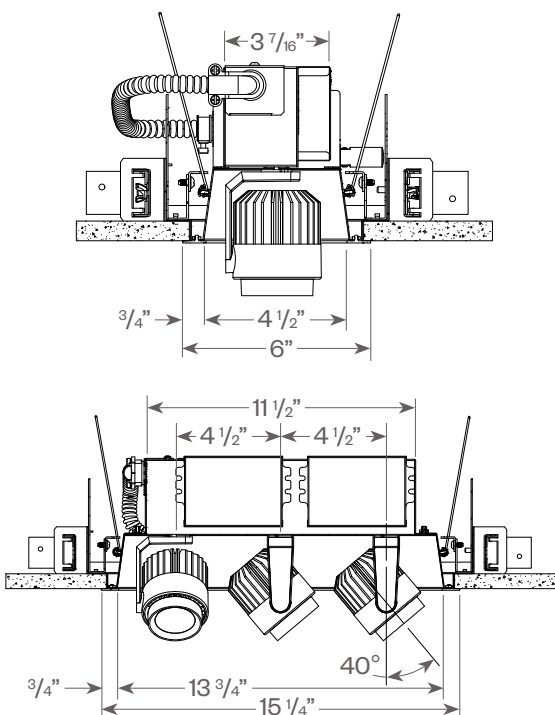
### End View

Hi-lume®/0-10V/DALI Driver



### Side View

Hi-lume®/0-10V/DALI Driver



# Hornet<sup>®</sup> HP

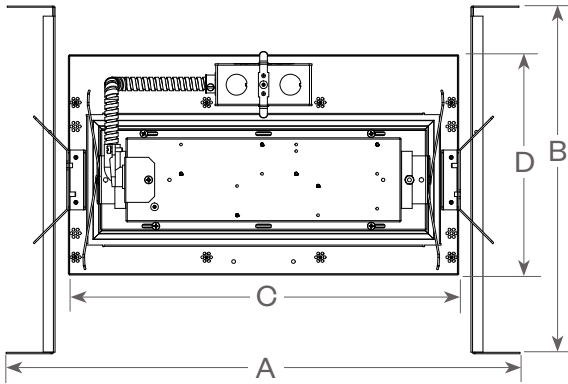
Semi-Recessed Multiples



**PROJECT:**

**TYPE:**

## Hornet HP Multiples: Semi-Recessed Trimless

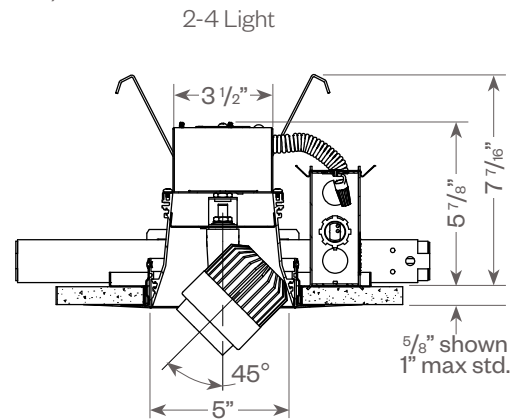
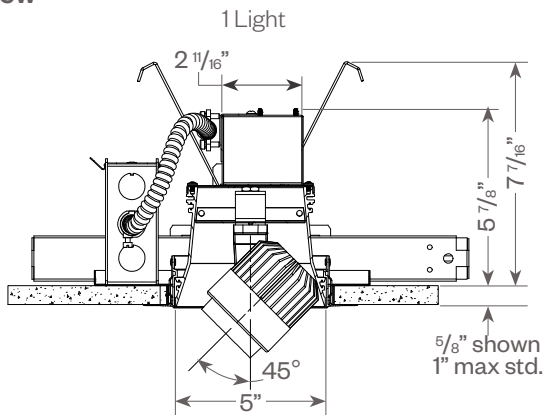


	1 Light	2 Light	3 Light	4 Light
<b>A</b>	12 1/8"	17"	21 1/2"	26"
<b>B</b>	14 1/2" max 25"	14 1/2" max 25"	14 1/2" max 25"	14 1/2" max 25"
<b>C</b>	7 1/8"	11 13/16"	16 5/16"	20 13/16"
<b>D</b>	9 1/8"	9 1/8"	9 1/8"	9 1/8"

**Ceiling cut out:** 1 Light - 5 9/16" x 5 9/16"  
 2 Light - 5 9/16" x 10 5/16"  
 3 Light - 5 9/16" x 14 13/16"  
 4 Light - 5 9/16" x 19 5/16"

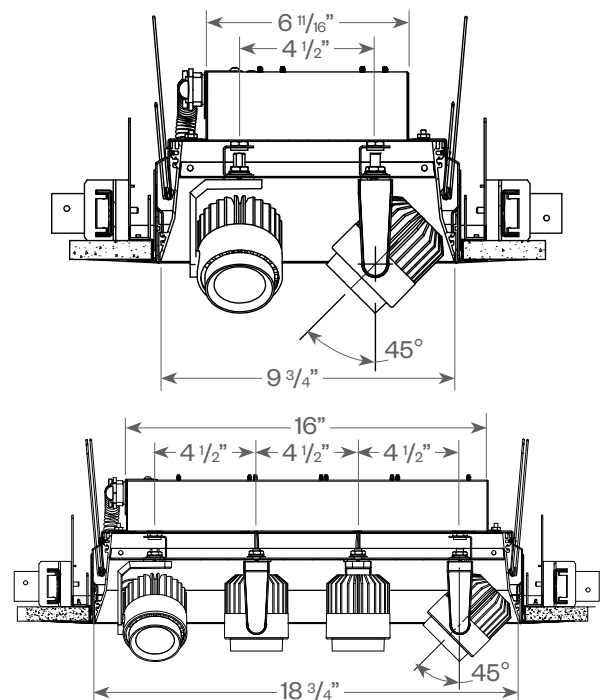
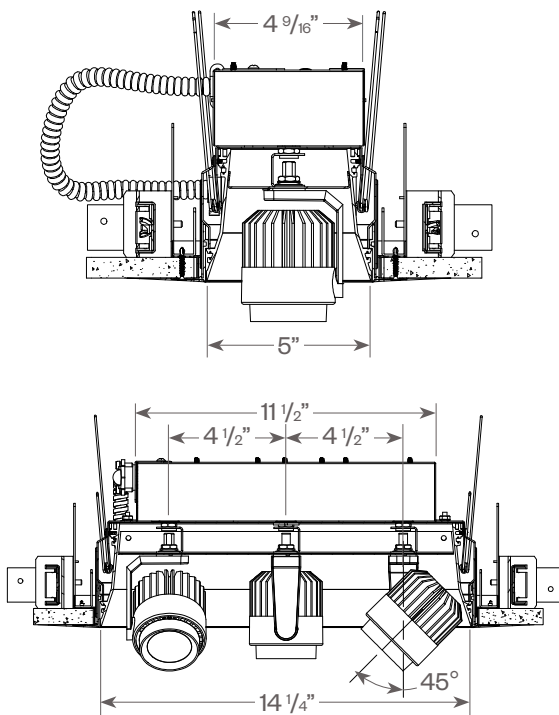
### End View

Standard Driver (ELV/TRIAC)



### Side View

Standard Driver (ELV/TRIAC)





# Hornet<sup>®</sup> HP

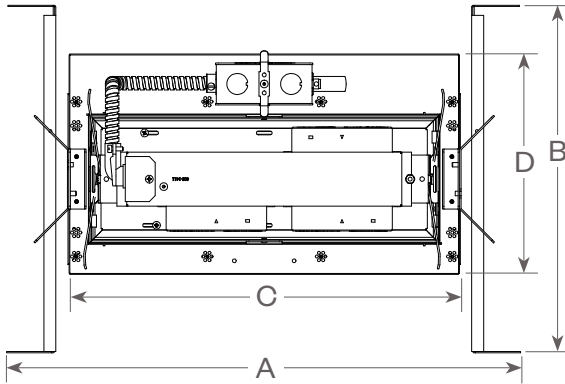
Semi-Recessed Multiples



**PROJECT:**

**TYPE:**

## Hornet HP Multiples: Semi-Recessed Trimless

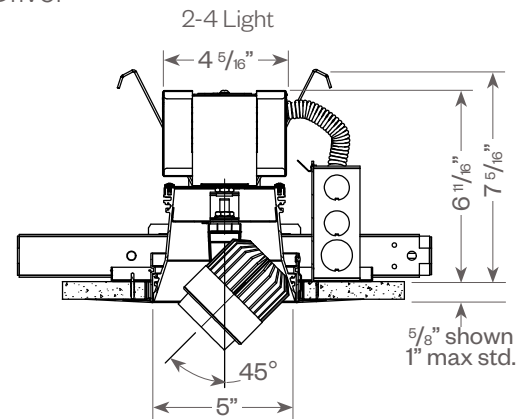
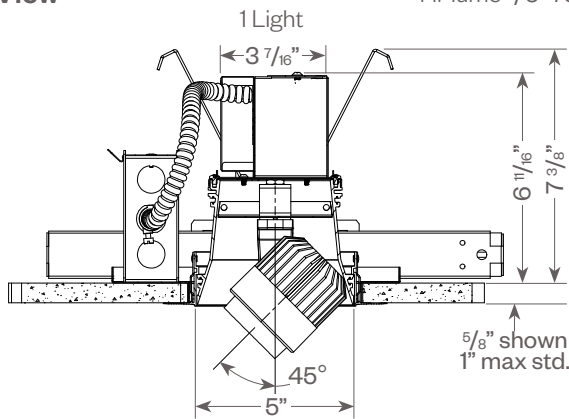


	1 Light	2 Light	3 Light	4 Light
<b>A</b>	12 1/8"	17"	21 1/2"	26"
<b>B</b>	14 1/2" max 25"	14 1/2" max 25"	14 1/2" max 25"	14 1/2" max 25"
<b>C</b>	7 1/8"	11 13/16"	16 5/16"	20 13/16"
<b>D</b>	9 1/8"	9 1/8"	9 1/8"	9 1/8"

**Ceiling cut out:** 1 Light - 5 9/16" x 5 9/16"  
 2 Light - 5 9/16" x 10 5/16"  
 3 Light - 5 9/16" x 14 13/16"  
 4 Light - 5 9/16" x 19 5/16"

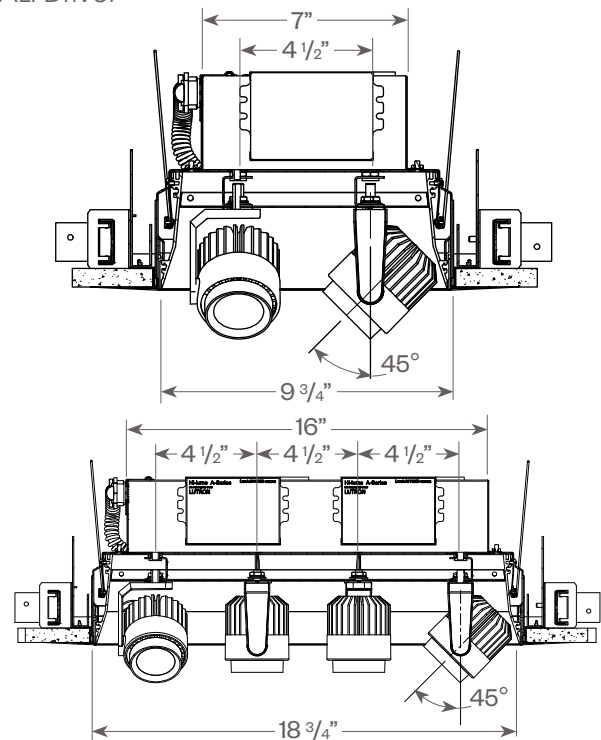
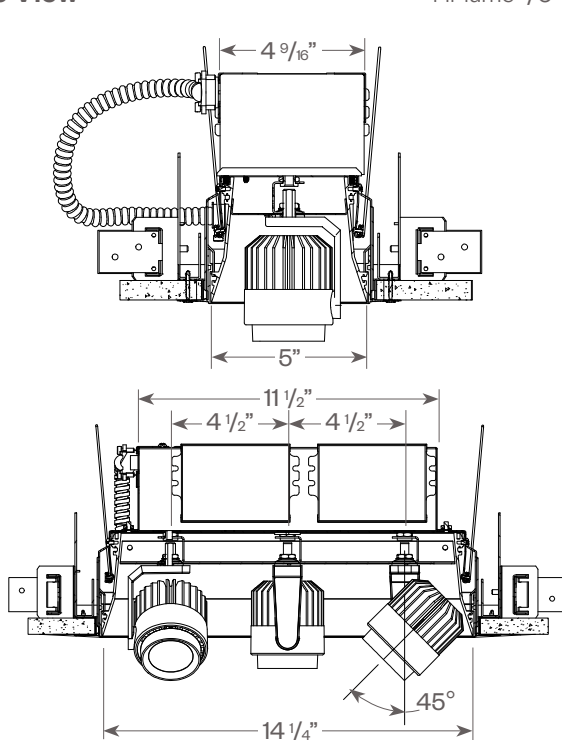
### End View

Hi-lume<sup>®</sup>/0-10V/DALI Driver



### Side View

Hi-lume<sup>®</sup>/0-10V/DALI Driver

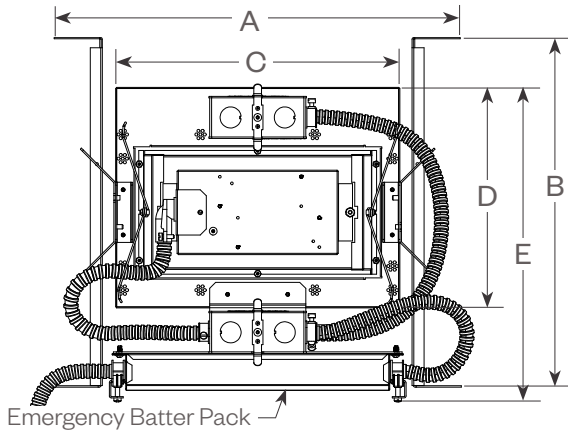




**PROJECT:**

**TYPE:**

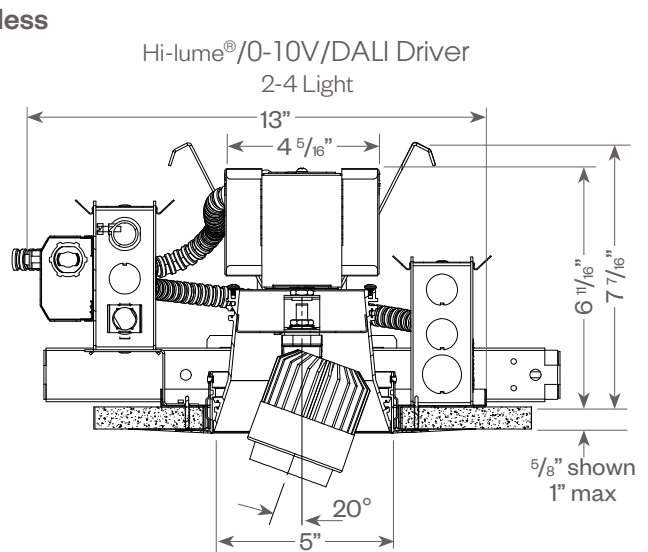
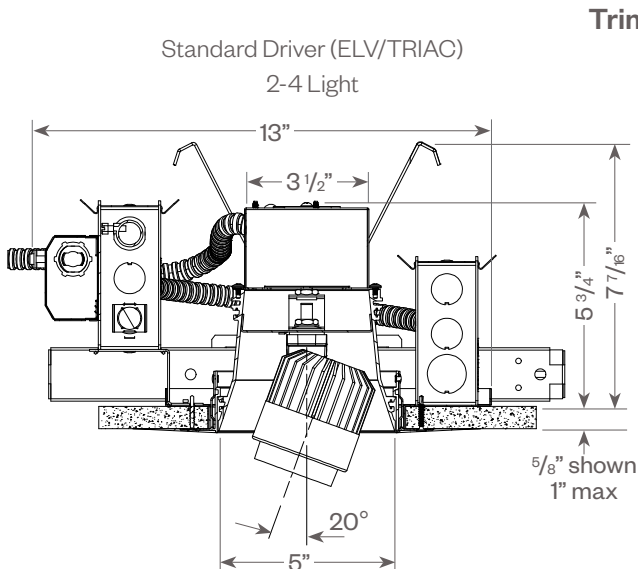
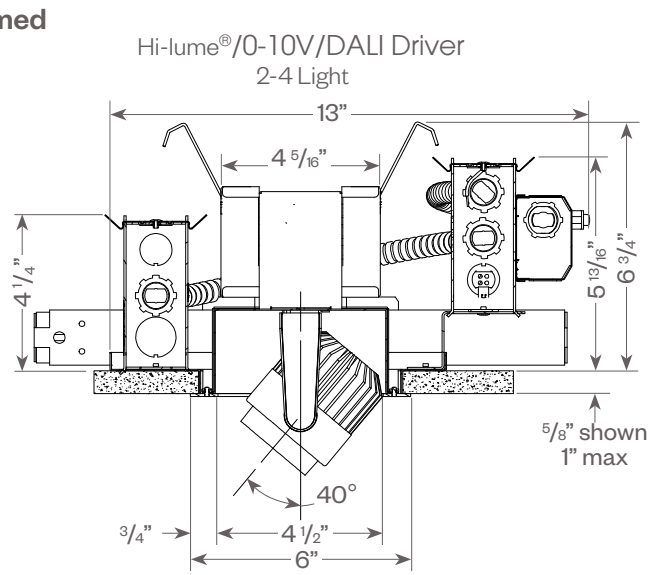
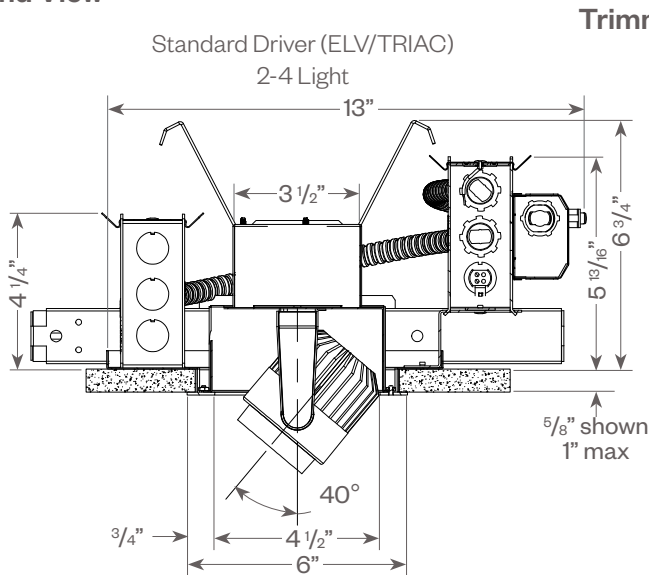
**Hornet HP Multiples: Semi-Recessed with Emergency Battery Pack (2-4 light only)**



	2 Light	3 Light	4 Light
<b>A</b>	17"	21 1/2"	26"
<b>B</b>	14 1/2" max 25"	14 1/2" max 25"	14 1/2" max 25"
<b>C</b>	11 13/16"	16 5/16"	20 13/16"
<b>D</b>	9 1/8"	9 1/8"	9 1/8"
<b>E</b>	13	13	13

**Ceiling cut out:** 2 Light - 5 9/16" x 10 5/16"  
 3 Light - 5 9/16" x 14 13/16"  
 4 Light - 5 9/16" x 19 5/16"

**End View**



# Hornet<sup>®</sup> HP

Semi-Recessed Multiples



Hornet HP Semi-Recessed Multiples

**PROJECT:**

**TYPE:**

**FIXTURE DATA:** (Complete photometric data (.ies format) available upon request)

**MULTIPLYING FACTORS:** (Multiplying Factor is based on 3000K-83 120V IES file on website)

Wattage:	11W	16W	18W
Factor:	0.71	1.0	1.13

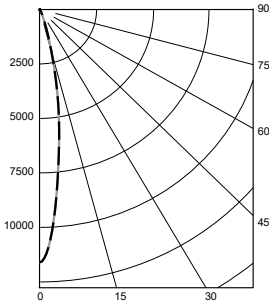
CCT:	2700K-83	3000K-83	3500K-83	4000K-83
Factor:	0.96	1.0	1.02	1.04

CCT:	2200K-90+	2700K-90+	3000K-90+	3500K-90+	4000K-90+	CRISP*	3CLA
Factor:	0.71	0.80	0.83	0.87	0.90	0.65	0.75

\* Not available for use with 18W

**16W, 3000K-83**

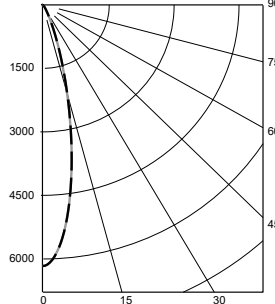
**Spot (SP) Distribution, 15°**  
LTL #14346087.01  
Lumens: 1,451



**Candelas at Nadir**

Deg	Candela
0	11610
5	8378
15	1825
25	257
35	86
45	31

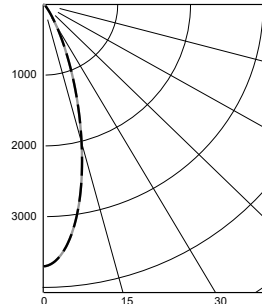
**Narrow Flood (NF) Distribution, 22°**  
LTL #14346087.02  
Lumens: 1,390



**Candelas at Nadir**

Deg	Candela
0	6167
5	5391
15	2012
25	426
35	119
45	52

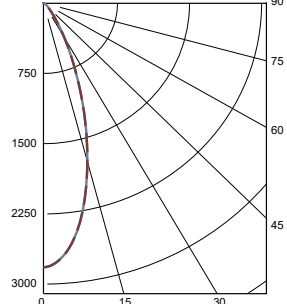
**Flood (FL) Distribution, 28°**  
LTL #14346087.04  
Lumens: 1,370



**Candelas at Nadir**

Deg	Candela
0	3703
5	3440
15	1925
25	651
35	179
45	67

**Wide Flood (WF) Distribution, 40°**  
LTL #14346087.05  
Lumens: 1,374



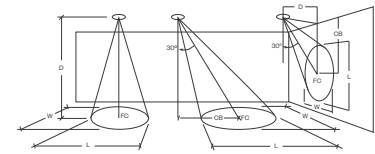
**Candelas at Nadir**

Deg	Candela
0	2820
5	2674
15	1750
25	763
35	248
45	86

**Application Data:**

**Notes and Definitions:**

- Beam spread is to 50% center beam candlepower (CBCP).
- D=Distance to floor or wall.
- FC=Footcandles on floor or wall at center beam aiming location.
- L=Effective Visual Beam length in feet (50% of maximum footcandle level).
- W=Effective Visual Beam width in feet (50% of maximum footcandle level).
- CB=Distance across or down to center beam location.



	0° Aiming Angle Horizontal Footcandles				30° Aiming Angle Horizontal Footcandles					30° Aiming Angle Vertical Footcandles					60° Aiming Angle Vertical Footcandles				
	D	FC	L	W	D	FC	L	W	CB	D	FC	L	W	CB	D	FC	L	W	CB
Spot	5.0'	463	1.4	1.4	5.0'	213	2.3	2.2	3.0	3.0'	135	3.4	2.2	5.0	3.0'	403	1.8	1.6	2.0
	7.5'	206	2.1	2.1	7.5'	110	3.3	2.9	4.0	4.0'	87	4.2	2.6	6.0	4.0'	295	2.1	1.8	2.0
	10.0'	116	2.9	2.9	10.0'	64	4.3	3.7	5.0	5.0'	58	5.2	3.2	8.0	5.0'	205	2.5	2.2	3.0
	12.5'	74	3.6	3.6	12.5'	44	5.1	4.5	7.0	6.0'	42	6.2	3.6	9.0	6.0'	162	2.8	2.5	3.0
Narrow Flood	5.0'	247	1.9	1.9	5.0'	133	2.9	2.7	3.0	3.0'	97	3.7	2.4	4.0	3.0'	280	2.1	1.8	2.0
	7.5'	110	3.0	3.0	7.5'	67	4.0	3.6	4.0	4.0'	57	4.8	3.1	5.0	4.0'	201	2.4	2.2	2.0
	10.0'	62	3.9	3.9	10.0'	40	5.2	4.6	5.0	5.0'	39	5.7	3.6	7.0	5.0'	131	3.0	2.7	3.0
	12.5'	40	5.0	5.0	12.5'	26	6.4	5.7	6.0	6.0'	28	6.9	4.3	8.0	6.0'	99	3.4	3.0	3.0
Flood	5.0'	168	2.5	2.5	5.0'	86	3.6	3.2	2.0	3.0'	70	3.9	2.9	4.0	3.0'	194	2.4	2.2	2.0
	7.5'	72	3.7	3.7	7.5'	42	5.0	4.6	4.0	4.0'	43	5.1	3.5	5.0	4.0'	138	2.8	2.7	2.0
	10.0'	40	5.0	5.0	10.0'	25	6.5	5.9	5.0	5.0'	28	6.2	4.4	6.0	5.0'	87	3.6	3.2	2.0
	12.5'	25	6.3	6.3	12.5'	16	8.2	7.4	6.0	6.0'	20	7.5	5.2	7.0	6.0'	65	4.0	3.7	3.0
Wide Flood	5.0'	113	3.0	3.0	5.0'	71	3.9	3.5	2.0	3.0'	60	4.1	3.1	3.0	3.0'	156	2.7	2.5	2.0
	7.5'	50	4.5	4.5	7.5'	34	5.5	5.1	3.0	4.0'	36	5.3	3.9	4.0	4.0'	110	3.1	3.0	2.0
	10.0'	28	6.0	6.0	10.0'	19	7.4	6.8	5.0	5.0'	24	6.4	4.8	5.0	5.0'	72	3.9	3.5	2.0
	12.5'	18	7.5	7.5	12.5'	13	9.1	8.4	6.0	6.0'	17	7.7	5.7	7.0	6.0'	52	4.5	4.2	3.0

# Hornet<sup>®</sup> HP

Semi-Recessed Multiples



## PROJECT:

## TYPE:

### DIMMING COMPATIBILITY:

Amerlux<sup>®</sup> Hornet fixtures are compatible with all major dimming protocols prevalent in the United States. Please see below for general compatibilities and wiring diagrams. Amerlux recommends testing your unique dimming configuration as the exact full configuration (Dimmer, Fixture Quantity, Voltage, etc) may affect dimming performance.

**--- NOTE: INFORMATION BELOW IS FOR WIRED DIMMERS ONLY. FOR WIRELESS DIMMERS, CONSULT FACTORY ---**

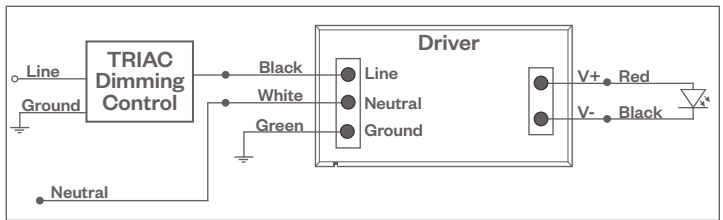
### TRIAC (Forward Phase) DIMMING (Standard)

Utilizes standard TRIAC dimmers that are in wide use in installations across the US. Best for retrofit applications where TRIAC dimmers are installed.

#### Notes:

- 120VAC or 277VAC\*
- Dims down to 5% light output (most cases)
- Consult Dimming manufacturer for installation instructions - DO NOT SHARE NEUTRALS!
- Must meet dimmer Minimum Load Requirements per dimming manufacturer

TRIAC Wiring Diagram



#### Compatible Dimmers†:

Wall Box (TRIAC 120VAC)	Central System
Lutron "Diva"	Lutron "GP" Panel
Lutron "Nova-T"	Lutron Grafik Eye QS
Lutron "Maestro"	
Lutron "Vareo"	
Lutron "Skylark"	

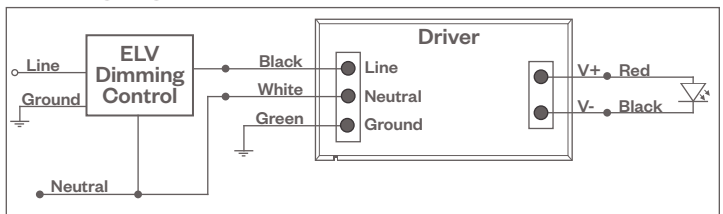
### ELV - Electronic Low Voltage (Reverse Phase) DIMMING (Standard)

Utilizes specialized "ELV" dimmers.

#### Notes:

- 120VAC or 277VAC\*
- Dims down to 5% light output (most cases)
- Consult Dimming manufacturer for installation instructions - DO NOT SHARE NEUTRALS!
- Must meet dimmer Minimum Load Requirements

ELV Wiring Diagram



#### Compatible Dimmers†:

Wall Box (ELV 120VAC)	Wall Box (ELV 277VAC)	Central System
Lutron "Diva"	Leviton Revoir II AWSMT-E	Lutron "GP" Panel with PHPM-PA 120/277VAC
Lutron "Nova-T"		Lutron Grafik Eye QS with PHPM-PA 120/277VAC
Lutron "Maestro"		
Lutron "Vareo"		
Lutron "Skylark"		
Leviton "Surslide"		
Leviton "Vizio"		

#### Notes:

- \* Driver is 277VAC dimmable with appropriate dimmer (by others). All provided wiring diagrams show 120VAC wiring colors and method. Please refer to 277VAC dimmer manufacturer installation instructions for 277VAC wiring diagrams.
- † The absence of a dimmer from the lists above does not imply incompatibility. Please consult factory for compatibility inquiries.

**PROJECT:**

**TYPE:**

**DIMMING COMPATIBILITY:**

Amerlux<sup>®</sup> Hornet fixtures are compatible with all major dimming protocols prevalent in the United States. Please see below for general compatibilities and wiring diagrams. Amerlux recommends testing your unique dimming configuration as the exact full configuration (Dimmer, Fixture Quantity, Voltage, etc) may affect dimming performance.

**--- NOTE: INFORMATION BELOW IS FOR WIRED DIMMERS ONLY. FOR WIRELESS DIMMERS, CONSULT FACTORY ---**

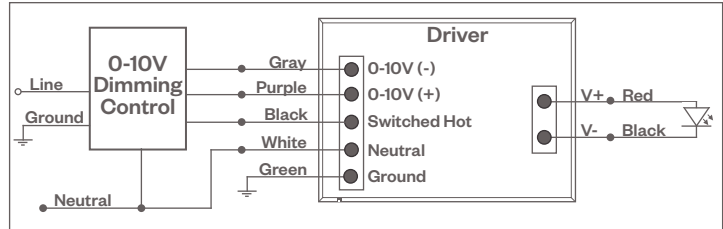
**0-10V DIMMING**

Integrates into a variety of building management and daylighting controls

**Notes:**

- 120VAC or 277VAC\*
- Dims down to 1% light output
- Requires interface to turn off power to driver
- Consult Dimming manufacturer for installation instructions - DO NOT SHARE NEUTRALS!

**0-10V Wiring Diagram**



**Compatible Dimmers†:**

**Wall Box**

Lutron "Diva" - DTVV with PP-120H Interface

Leviton Renoir II 0-10V

**Central System**

Lutron Grafik Eye with GRX-TV1 Interface

**LUTRON H-SERIES / ECOSYSTEM DIMMING**

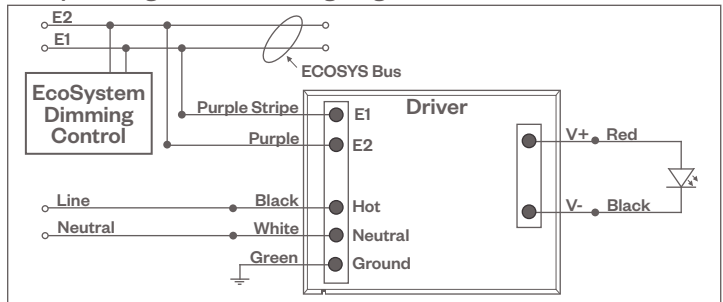
Integrates into Lutron EcoSystem building management

**Notes:**

- 120VAC or 277VAC\*
- Dims down to 1% light output
- EcoSystem Control
- Consult Dimming manufacturer for installation instructions - DO NOT SHARE NEUTRALS!

**HILUME-H-ECO, HILUME-5-ECO**

**EcoSystem Digital Control Wiring Diagram**



**Compatible Dimmers†:**

**Lutron ECO System**

Pow Pak Dimming Modules  
Energi Savr Node  
Grafik Eye QS/Homeworks  
QS Control Unit  
Quantum Hub  
Homeworks QS/My Room

**Central System**

Lutron EcoSystem compatible controls

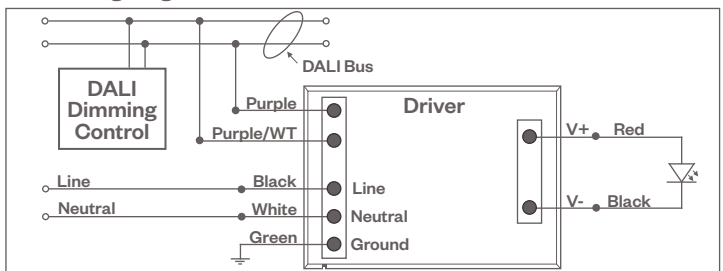
**DALI DIMMING**

Digital control protocol allows individual fixture control

**Notes:**

- 120VAC - 277VAC\*
- Dims down to 1% light output in most cases

**DALI Wiring Diagram**



**Compatible Dimmers†:**

**Wall Box (3-Wire Fluorescent)**

Leviton CD250 Controller

**Central System**

Dynalite  
Fifth Light

**Notes:**

\* Driver is 277VAC dimmable with appropriate dimmer (by others). All provided wiring diagrams show 120VAC wiring colors and method. Please refer to 277VAC dimmer manufacturer installation instructions for 277VAC wiring diagrams.

† The absence of a dimmer from the lists above does not imply incompatibility. Please consult factory for compatibility inquiries.

PROJECT:

TYPE:

## EMERGENCY DIMMING

### Wiring Diagram

