

HORNET® HP DOWNLIGHT

3.5" SQUARE LENSED WALL WASH TRIMLESS LED INTERNATIONAL

I-HDL-HP-SLW-A14-TL
LED



APPLICATIONS:

Retail and commercial wall wash lighting

CONSTRUCTION:

Die-cast aluminum trim ring
Cast aluminum plaster frame with perforated face
Die-cast trim, extruded aluminum heat sink
Optic can be rotated to any position

ELECTRICAL:

Electronic constant current LED driver, 240v input
ELV and Triac dimming standard
This product complies with IEEE C62.41 for surge endurance up to 2.5KV. Amerlux® recommends using additional surge protection with this unit (supplied by others), surge damage is not covered by warranty.

OPTICS:

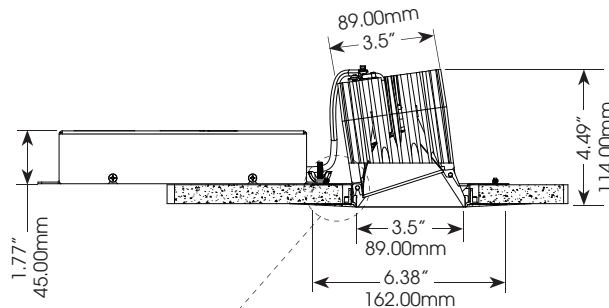
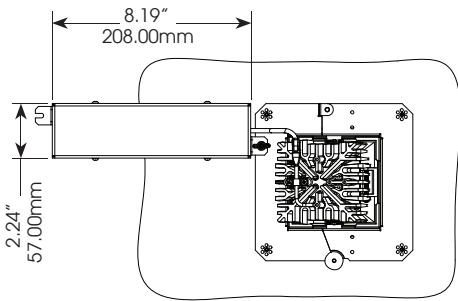
High reflectance, highly diffuse mixing chamber
Engineered nano technology lens provides transmission while concealing LED image
LED:
Color Temp Options: 2200K, 2700K, 3000K, 3500K, 4000K
CRI: 83 typ. (2700K, 3000K, 3500K, 4000K)
90+ typ. (2200K, 2700K, 3000K)
Optional Amerlux CrispWhite technology
R9 Value: 11 (83CRI), 55 (90+CRI)
Binning: 3 MacAdam (SDMC)
Life: 50,000 hrs
Lumen Maintenance: >70% of initial lumens @ 50,000 hrs
Lumen Output (at 3000K):
14W: 1123 lm 21W: 1614 lm

LABELING:

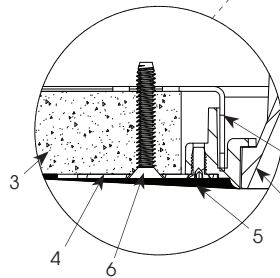
CE pending
For indoor use only
Damp location

PROJECT:

TYPE:



Ceiling Cut Out Dimension: 4.5" (114.50 mm)



ELECTRICAL

Electronic driver	14W		21W	
	System	Watts	System	Watts
240V	14	0.06	21	0.09



114.5 mm

3 year limited warranty
AMERLUX INTERNATIONAL
(see website for details)

ORDERING INFORMATION:

Model	Wattage	Lamp Type	Voltage	Aperture Finish	Color Temp (CCT-CRI)	Listing Code	Options
HDL-HP-SLW-A14-TL	14 21	LED	240	MB - matte black MW - matte white SLV - matte silver	27 - 2700K-83 30 - 3000K-83 35 - 3500K-83 40 - 4000K-83 229 - 2200K-90+ 279 - 2700K-90+ 309 - 3000K-90+	CE	DALI - DALI driver
					CRISP - CrispWhite 3CLA - 3K Class A		

Example: I-HDL-HP-SLW-A14-TL-21-LED-240-MW-30-CE

Cat #:

Amerlux reserves the right to change details that do not affect overall function and performance.



HORNET® HP DOWNLIGHT

3.5" SQUARE LENSED WALL WASH TRIMLESS LED INTERNATIONAL

I-HDL-HP-SLW-
A14-TL
LED



TYPE:



FIXTURE DATA: For 14W data, multiply by 0.67

Complete photometric data (ies format) available upon request.

CCT Conversion Factor: 2700K-83 = 0.96; 3500K-83 = 1.02; 4000K-83 = 1.04; 2200K-90+ = 0.71; 2700-90+ = 0.80; 3000K-90+ = 0.83; CRISP = 0.65; 3CLA = 0.75

Hornet HP Square Lens Wall Washer 21W LED 3000K-83

Source: LED with frosted plastic optic Lumens: 1614

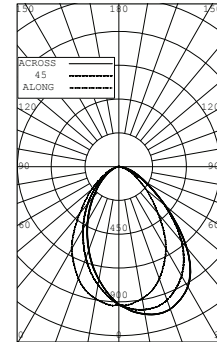
Recessed

ZONAL LUMEN SUMMARY

Zone	Lumens	%Fixt
0-30	658	40.79
0-40	1009	62.51
0-60	1471	91.15
0-90	1614	100.00
40-90	605	37.49
60-90	143	8.85
90-180	0	0.0
0-180	1614	100.00

Luminaire Efficacy: 70.5 lumens/watt

LTL# 631080



APPLICATION DATA:

Footcandles on Wall

Footcandles are average and rounded off.
Data for multiple units are based
on a minimum of five units.

1.5 Feet From Wall

	← 1.5' →		← 1.5' →		
Distance from ceiling	0.5'	57	59	60	57
	1.5'	127	132	134	127
	2.5'	114	122	124	114
	3.5'	71	78	80	78
	4.5'	44	49	51	45
	5.5'	30	33	34	30
	6.5'	22	24	24	22
	7.5'	17	18	18	17

1.5 Feet From Wall

	← 2' →		← 2' →			
Distance from ceiling	0.5'	43	47	44	48	43
	1.5'	97	103	100	104	97
	2.5'	89	94	95	96	94
	3.5'	56	61	63	64	57
	4.5'	36	39	41	42	37
	5.5'	25	27	29	29	22
	6.5'	18	20	21	21	19
	7.5'	14	15	16	16	15

2 Feet From Wall

	← 2' →		← 2' →			
Distance from ceiling	0.5'	23	25	25	26	24
	1.5'	62	65	66	67	62
	2.5'	77	81	83	83	77
	3.5'	60	64	67	67	60
	4.5'	42	46	48	48	42
	5.5'	30	33	34	35	30
	6.5'	22	24	26	26	22
	7.5'	17	19	20	20	17