

HORNET® HP DOWNLIGHT

3.5" SQUARE LENSED WALL WASH LED INTERNATIONAL

I-HDL-HP-SLW-A14
LED



APPLICATIONS:

Retail and commercial wall wash lighting

CONSTRUCTION:

20 ga. galvanized steel frame
18 ga. galvanized steel splice housing and hanger brackets
Die-cast trim, extruded aluminum heat sink
Optic can be rotated to any 90° increment

ELECTRICAL:

Electronic constant current LED driver, 240v input
ELV and Triac dimming standard

This product complies with IEEE C62.41 for surge endurance up to 2.5KV. Amerlux® recommends using additional surge protection with this unit (supplied by others), surge damage is not covered by warranty.

OPTICS:

High reflectance, highly diffuse mixing chamber
Engineered nano technology lens provides transmission while concealing LED image

LED:

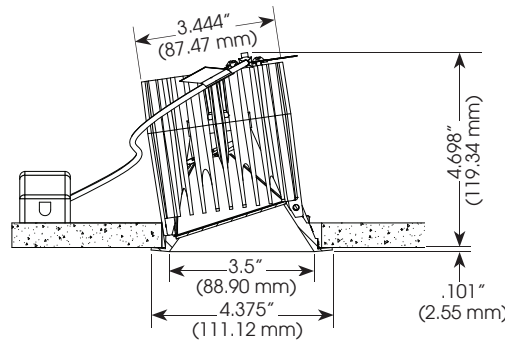
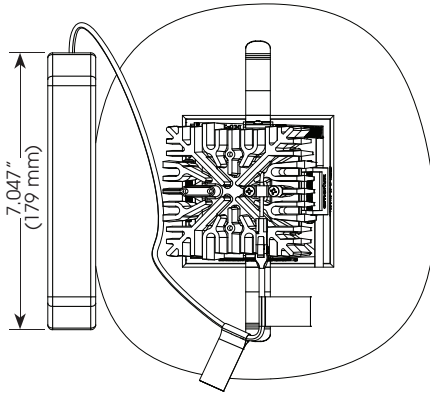
Color Temp Options: 2200K, 2700K, 3000K, 3500K, 4000K
CRI: 83 typ. (2700K, 3000K, 3500K, 4000K)
90+ typ. (2200K, 2700K, 3000K)
Optional Amerlux CrispWhite technology
R9 Value: 11 (83CRI), 55 (90+CRI)
Binning: 3 MacAdam (SDMC)
Life: 50,000 hrs
Lumen Maintenance: >70% of initial lumens @ 50,000 hrs
Lumen Output (at 3000K):
14W: 1123 lm 21W: 1614 lm

LABELING:

CE pending
Damp location (standard)
Wet location option

PROJECT:

TYPE:



Ceiling Cut Out Dimension: 3.858" (98 mm)



ELECTRICAL

Electronic driver

240V	14W System		21W System	
	Watts	Amps	Watts	Amps
	14	0.06	21	0.09



(see website for details)

ORDERING INFORMATION:

Model	Wattage	Lamp Type	Voltage	Aperture Finish	Color Temp (CCT-CRI)	Listing Code	Options
I-HDL-HP-SLW-A14	14	LED	240	<u>Reflector with White Painted Flange</u>	27 - 2700K-83	CE	WET - wet location DALI - DALI driver
	21			MBW - matte black	30 - 3000K-83		
				MWW - matte white	35 - 3500K-83		
				SLVW - matte silver	40 - 4000K-83		
				<u>Reflector with Black Painted Flange</u>	229 - 2200K-90+		
				MBB - matte black	279 - 2700K-90+		
				<u>Reflector with Silver Painted Flange</u>	309 - 3000K-90+		
				SLVS - matte silver	CRISP - CrispWhite		
					3CLA - 3K Class A		

Example: I-HDL-HP-SLW-A14-21-LED-240-MWW-30-CE

Cat #:

Amerlux reserves the right to change details that do not affect overall function and performance.



HORNET® HP DOWNLIGHT

3.5" SQUARE LENSED WALL WASH LED INTERNATIONAL

I-HDL-HP-
SLW-A14
LED



TYPE:



FIXTURE DATA: For 14W data, multiply by 0.67

Complete photometric data (ies format) available upon request.

CCT Conversion Factor: 2700K-83 = 0.96; 3500K-83 = 1.02; 4000K-83 = 1.04; 2200K-90+ = 0.71; 2700-90+ = 0.80; 3000K-90+ = 0.83; CRISP = 0.65; 3CLA = 0.75

Hornet HP Square Lens Wall Washer 21W LED 3000K-83

Source: LED with frosted plastic optic Lumens: 1614

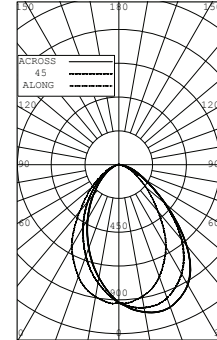
Recessed

ZONAL LUMEN SUMMARY

Zone	Lumens	%Fixt
0-30	658	40.79
0-40	1009	62.51
0-60	1471	91.15
0-90	1614	100.00
40-90	605	37.49
60-90	143	8.85
90-180	0	0.0
0-180	1614	100.00

Luminaire Efficacy: 70.5 lumens/watt

LTL# 631080



APPLICATION DATA:

Footcandles on Wall

Footcandles are average and rounded off.
Data for multiple units are based
on a minimum of five units.

1.5 Feet From Wall

Distance from ceiling	1.5' spacing				
	0.5'	1.5'	2.5'	3.5'	4.5'
0.5'	57	59	60	60	57
1.5'	127	132	134	133	127
2.5'	114	122	124	122	114
3.5'	71	78	80	78	72
4.5'	44	49	51	50	45
5.5'	30	33	34	33	30
6.5'	22	24	24	24	22
7.5'	17	18	18	18	17

1.5 Feet From Wall

Distance from ceiling	2' spacing						
	0.5'	1.5'	2.5'	3.5'	4.5'	5.5'	6.5'
0.5'	43	47	44	48	43	47	43
1.5'	97	103	100	104	100	102	97
2.5'	89	94	95	96	95	94	90
3.5'	56	61	63	64	63	62	57
4.5'	36	39	41	42	41	40	37
5.5'	25	27	29	29	28	25	22
6.5'	18	20	21	21	21	20	19
7.5'	14	15	16	16	16	16	15

2 Feet From Wall

Distance from ceiling	2' spacing						
	0.5'	1.5'	2.5'	3.5'	4.5'	5.5'	6.5'
0.5'	23	25	25	26	25	25	24
1.5'	62	65	66	67	66	65	62
2.5'	77	81	83	83	83	81	77
3.5'	60	64	67	67	67	65	60
4.5'	42	46	48	48	48	46	42
5.5'	30	33	34	35	34	33	30
6.5'	22	24	26	26	26	24	22
7.5'	17	19	20	20	20	19	17