

# HORNET® HP DOWNLIGHT

3.5" SQUARE LENSED DOWNLIGHT LED INTERNATIONAL

I-HDL-HP-  
SLD-A14  
LED



**APPLICATIONS:**

Retail and commercial ambient lighting

**CONSTRUCTION:**

20 ga. galvanized steel frame  
18 ga. galvanized steel splice housing and hanger brackets  
Die-cast trim, extruded aluminum heat sink

**ELECTRICAL:**

Electronic constant current LED driver, 240v input  
ELV and Triac dimming standard

**This product complies with IEEE C62.41 for surge endurance up to 2.5KV. Amerlux® recommends using additional surge protection with this unit (supplied by others), surge damage is not covered by warranty.**

**OPTICS:**

High reflectance, highly diffuse mixing chamber  
Engineered nano technology lens provides transmission while concealing LED image  
LED:

Color Temp Options: 2200K, 2700K, 3000K, 3500K, 4000K  
CRI: 83 typ. (2700K, 3000K, 3500K, 4000K)  
90+ typ. (2200K, 2700K, 3000K)

Optional Amerlux CrispWhite technology  
R9 Value: 11 (83CRI), 55 (90+CRI)

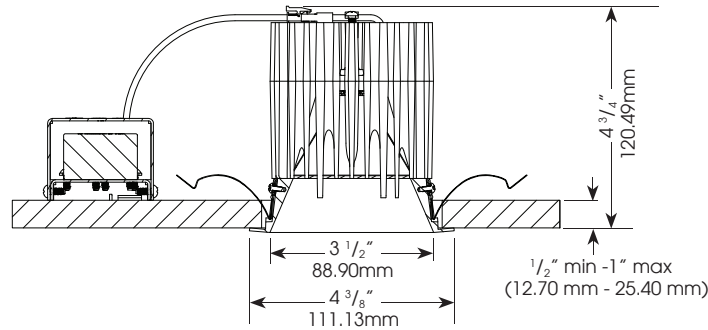
Binning: 3 MacAdam (SDMC)  
Life: 50,000 hrs  
Lumen Maintenance: >70% of initial lumens @ 50,000 hrs  
Lumen Output (at 3000K):  
Very Wide Flood (75°): 14W - 1028 lm, 21W - 1477 lm

**LABELING:**

**CE**  
Damp location (standard)  
Wet location option

PROJECT:

TYPE:



Ceiling Cut Out Dimension: 3 7/8" x 3 7/8" sq (98mm x 98mm)

  
Electrostatic sensitive device,  
observe precautions for  
handling

  
98 x 98

**ELECTRICAL**

240V	14W System		21W System	
	Watts	Amps	Watts	Amps
	14	0.06	21	0.09

**3 year limited warranty**  
AMERLUX INTERNATIONAL  
(see website for details)

**ORDERING INFORMATION:**

Model	Wattage	Lamp Type	Voltage	Aperture Finish	Color Temp (CCT-CRI)	Listing Code	Options
I-HDL-HP-SLD-A14	14	LED	240	<u>Reflector with White Painted Flange</u>	27 - 2700K-83	CE	WET - wet location DALI - DALI driver
				MBW - matte black	30 - 3000K-83		
	MWW - matte white	35 - 3500K-83					
	SLVW - matte silver	40 - 4000K-83					
	<u>Reflector with Black Painted Flange</u>	229 - 2200K-90+					
	MBB - matte black	279 - 2700K-90+					
	309 - 3000K-90+						
	<u>Reflector with Silver Painted Flange</u>	CRISP - CrispWhite					
	SLVS - matte silver	3CLA - 3K Class A					

Example: I-HDL-HP-SLD-A14-18-LED-240-MWW-30-CE

Cat #:

Amerlux reserves the right to change details that do not affect overall function and performance.



# HORNET® HP DOWNLIGHT

3.5" SQUARE LENSED DOWNLIGHT LED INTERNATIONAL

I-HDL-HP-  
SLD-A14  
LED



TYPE:

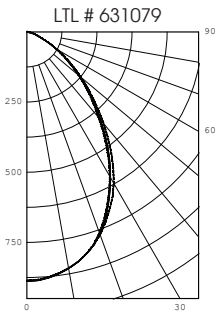


**FIXTURE DATA:** For 14W data, multiply by 0.67

Complete photometric data (ies format) available upon request.

CCT Conversion Factor: 2700K-83 = 0.96; 3500K-83 = 1.02; 4000K-83 = 1.04; 2200K-90+ = 0.71; 2700-90+ = 0.80; 3000K-90+ = 0.83; CRISP = 0.65; 3CLA = 0.75

## 21W LED 3000K-83



Candelas at Nadir	
Deg	Candela
0	887
5	879
15	819
25	678
35	494
45	315

## APPLICATION DATA:

### Notes and Definitions:

Beam spread is to 50% center beam candlepower (CBCP).

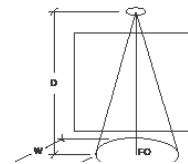
D=Distance to floor or wall.

FC=Footcandles on floor or wall at center beam aiming location.

L=Effective Visual Beam length in feet (50% of maximum footcandle level).

W=Effective Visual Beam width in feet (50% of maximum footcandle level).

CB=Distance across or down to center beam location.



0° Aiming Angle  
Horizontal  
Footcandles

D	FC	L	W
5.0'	34	5.4	5.4
7.5'	16	8.1	8.1
10.0'	9	10.9	10.9
12.5'	6	14.0	14.0